

STR-DE915/TA-V909/VE910

SERVICE MANUAL

Ver 1.2 2003.07



Photo : STR-DE915

US Model
Canadian Model
STR-DE915

AEP Model
UK Model
E Model
TA-VE910

Australian Model
STR-DE915

Chinese Model
TA-V909

PX Model
STR-DE915

Dolby Laboratories Licensing Corporation.
"DOLBY" the double-D symbol $\square\square$ "AC-3" and "PRO LOGIC" are trademarks of Dolby Laboratories Licensing Corporation.

SPECIFICATIONS

AUDIO POWER SPECIFICATIONS

POWER OUTPUT AND TOTAL HARMONIC DISTORTION

With 8-ohm load, both channels driven, from 20 - 20,000 Hz, rated 100 watts per channel, minimum RMS power, with no more than 0.09% total harmonic distortion from 250 milliwatts to rated output (USA model only).

Amplifier section

POWER OUTPUT

Stereo mode (8 ohms 20 Hz - 20 kHz, THD 0.09%)
100 W + 100 W

Surround mode (8 ohms at 1 kHz, THD 0.8%)

Front: 100 W/ch
Center*: 100W
Rear*: 100 W/ch

* Depending on the sound field settings and the source, sound will not be output.

Dynamic power output

155 W + 155 W, 8 ohms
220 W + 220 W, 4 ohms

Harmonic distortion at rated output

Less than 0.09% (with DIRECT PASS on)

Frequency response

PHONO: RIAA equalization curve ± 0.5 dB
CD, TAPE, DAT/MD, VIDEO 1, 2, 10 Hz - 50 kHz ± 0.5 dB (with DIRECT PASS on)

Inputs

| | Sensitivity | Impedance | S/N (weighting network, input level) |
|---|-------------|-------------|--------------------------------------|
| PHONO | 2.5 mV | 50 kilohms | 75 dB* (A, 2.5 mV) |
| CD, TAPE, DAT/MD, TUNER, VIDEO 1, 2, 3 LD/DVD, TV/DBS | 150 mV | 50 kilohms | 82 dB* (A, 150 mV) |
| LD/DVD AC-3 RF | — | 75 Ω | 100 dB (A, 20 kHz, LPF) |
| LD/DVD, CD, DAT/MD OPTICAL | — | — | 100 dB (A, 20 kHz, LPF) |

* '78 IHF

— Continued on next page —

9-920-940-13
2003G16-1
© 2003.07

Sony Corporation
Home Audio Company
Published by Sony Engineering Corporation

STR-DE915
FM STEREO/FM-AM RECEIVER

TA-V909/VE910
INTEGRATED AV AMPLIFIER

SONY[®]

Outputs VIDEO 1, 2 AUDIO OUT:
Voltage: 150 mV,
Impedance: 10 kilohms
WOOFER:
Voltage: 2 V
Impedance: 1 kilohms
PHONES:
Accepts low and high
impedance headphones

BASS BOOST +6 dB at 50 Hz

Digital signal processor section

Modulation (A/D conversion)
High Density Linear
Converter

Demodulation (D/A conversion)
High Density Linear
Converter (Advanced
pulse D/A converter)

Sampling frequency
48 kHz

Surround LFE MIX:
MUTE, -20 - 0 dB, 0.5 dB
step
D. RANGE COMP:
OFF, 0.1 - 0.9, STD, MAX
REAR level:
-20 - +10 dB, 0.5 dB step
CENTER level:
-20 - +10 dB, 0.5 dB step
SUB WOOFER level:
-20 - +10 dB, 0.5 dB step
EFFECT:
21-step adjustable
WALL:
17-step adjustable
SEAT F/R:
17-step adjustable
SEAT L/R:
17-step adjustable
REBERB time:
17-step adjustable
Depending on the sound
field, some parameters
may not be adjustable

Equalizer BAND: BASS/TREBLE
Turnover frequency:
Bass: 99 Hz - 992 Hz
Treble: 1.0 kHz - 8.6 kHz
Level: ± 10 dB, 0.5 dB step

FM tuner section (STR-DE915)

Tuning range 87.5 - 108.0 MHz

Antenna terminals
75 ohms, unbalanced

Sensitivity Mono: 18.3 dBf, 4.5 μ V
Stereo: 38.3 dBf, 45 μ V

Usable sensitivity
11.2 dBf, 2 μ V (IHF)

S/N Mono: 76 dB
Stereo: 70 dB

Harmonic distortion at 1 kHz
Mono: 0.3%
Stereo: 0.5%

Separation 45 dB at 1 kHz

Frequency response
30 Hz - 15 kHz ± 0.5 dB

Selectivity 60 dB at 400 kHz

AM tuner section (STR-DE915)

Tuning range With 10 kHz interval:
530 - 1710 kHz (US, PX and
Canadian model only**)
530 - 1610 kHz (models for
all other countries except
for Australia)
With 9 kHz interval:
531 - 1710 kHz (US, PX and
Canadian model only)
531 - 1602 kHz (Australian
model and models for all
other countries**)

Antenna Loop antenna

Usable sensitivity
50 dB/m (at 1,000 kHz or
999 kHz)

S/N 54 dB (at 50 mV/m)

Harmonic distortion
0.5 % (50 mV/m,
400 kHz)

Selectivity At 9 kHz: 35 dB
At 10 kHz: 40 dB

** You can change the AM tuning
interval to 9 kHz (US, PX and Canadian
model only) or to 10 kHz (models for
all other countries except for
Australia). After tuning in any AM
station, turn off the receiver. Hold
down the PRESET TUNING + button
and press the POWER button. All
preset stations will be erased when
you change the interval. To reset the
interval to 10 kHz (or 9 kHz), repeat
the procedure.

Video section

Inputs 1 V_{p-p} 75 ohms

Outputs 1 V_{p-p} 75 ohms

General

System Tuner section:(STR-DE915)
PLL quartz-locked digital
synthesizer system
Preamplifier section:
Low-noise NF type
equalizer
Power amplifier section:
Pure-complementary SEPP

Power requirements

US and Canadian models:
120 V AC, 60 Hz
Australian model:
240 V AC, 50 Hz
E, PX models:
120/240/220 V AC
selectable, 50/60 Hz
AEP, UK, German,
East European,
North European models:
230 V AC, 50 / 60 Hz
Singapore, Chinese,
Malaysia models:
220 - 230 V AC, 50 /60 Hz

Power consumption

Canadian model: 480 VA
Other models: 290 W

AC outlets US, Canadian, PX, Chinese
models:
2 switched, total
120 W
Other models:
1 switched, maximum
100 W

Dimensions 430 × 155 × 350 mm
(17 × 6 ¹/₈ × 13 ⁷/₈ inches)
including projecting parts
and controls

Mass (Approx.)

STR-DE915: 11.2 kg
(24 lb 10oz)
TA-V909/VE910: 9.8 kg
(21 lb 9oz)

Design and specifications are subject to
change without notice.

SAFETY CHECK-OUT

After correcting the original service problem, perform the following safety checks before releasing the set to the customer: Check the antenna terminals, metal trim, "metallized" knobs, screws, and all other exposed metal parts for AC leakage. Check leakage as described below.

LEAKAGE

The AC leakage from any exposed metal part to earth ground and from all exposed metal parts to any exposed metal part having a return to chassis, must not exceed 0.5 mA (500 microamperes). Leakage current can be measured by any one of three methods.

1. A commercial leakage tester, such as the Simpson 229 or RCA WT-540A. Follow the manufacturers' instructions to use these instruments.
2. A battery-operated AC milliammeter. The Data Precision 245 digital multimeter is suitable for this job.
3. Measuring the voltage drop across a resistor by means of a VOM or battery-operated AC voltmeter. The "limit" indication is 0.75 V, so analog meters must have an accurate low-voltage scale. The Simpson 250 and Sanwa SH-63Trd are examples of a passive VOM that is suitable. Nearly all battery operated digital multimeters that have a 2V AC range are suitable. (See Fig. A)

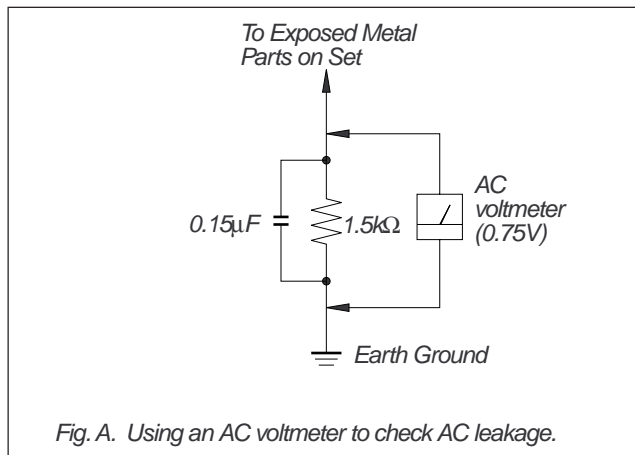


Fig. A. Using an AC voltmeter to check AC leakage.

TABLE OF CONTENTS

| | |
|--|----|
| 1. GENERAL | 4 |
| 2. DIAGRAMS | |
| 2-1. Circuit Boards Location | 6 |
| 2-2. Block Diagram — Main Section — | 7 |
| 2-3. Block Diagram — Video In/Out Section — | 11 |
| 2-4. Block Diagram — Power Section — | 13 |
| 2-5. Schematic Diagram — Video Section — | 16 |
| 2-6. Printed Wiring Board — Video Section — | 19 |
| 2-7. Printed Wiring Board — Surround Section — | 22 |
| 2-8. Schematic Diagram — Surround Section — | 25 |
| 2-9. Printed Wiring Board — Digital Section — | 30 |
| 2-10. Schematic Diagram — Digital Section — | 33 |
| 2-11. Schematic Diagram — AMP, Power Supply Section — | 38 |
| 2-12. Printed Wiring Board — AMP, Power Supply Section — | 43 |
| 2-13. Schematic Diagram — Display Section — | 48 |
| 2-14. Printed Wiring Board — Display Section — | 53 |
| 2-15. IC BLOCK DIAGRAMS | 57 |
| 2-16. IC PIN FUNCTION | 61 |
| 3. EXPLODED VIEWS | |
| 3-1. FRONT PANEL SECTION | 72 |
| 3-2. BACK PANEL SECTION | 73 |
| 3-3. CHASSIS SECTION | 74 |
| 4. ELECTRICAL PARTS LIST | 75 |

SAFETY-RELATED COMPONENT WARNING!!

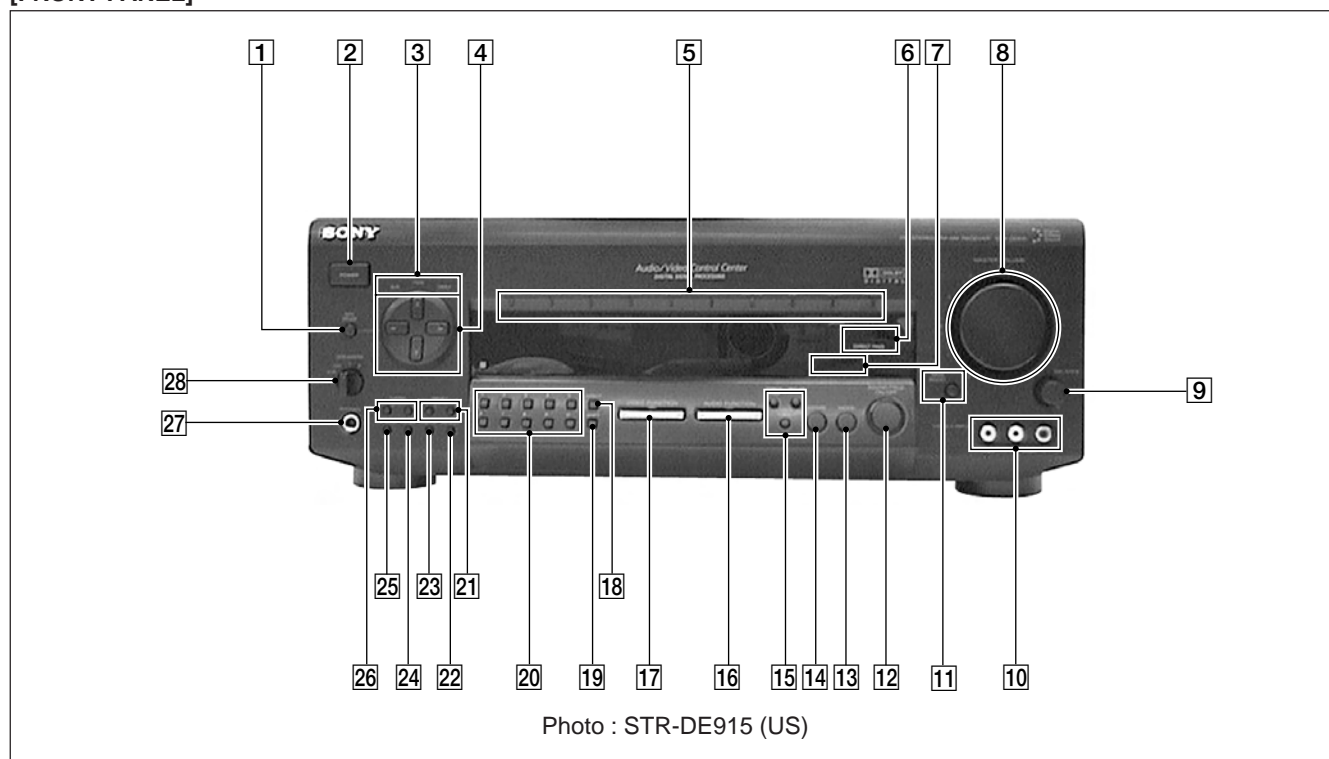
COMPONENTS IDENTIFIED BY MARK \triangle OR DOTTED LINE WITH MARK \triangle ON THE SCHEMATIC DIAGRAMS AND IN THE PARTS LIST ARE CRITICAL TO SAFE OPERATION. REPLACE THESE COMPONENTS WITH SONY PARTS WHOSE PART NUMBERS APPEAR AS SHOWN IN THIS MANUAL OR IN SUPPLEMENTS PUBLISHED BY SONY.

ATTENTION AU COMPOSANT AYANT RAPPORT À LA SÉCURITÉ!

LES COMPOSANTS IDENTIFIÉS PAR UNE MARQUE \triangle SUR LES DIAGRAMMES SCHÉMATIQUES ET LA LISTE DES PIÈCES SONT CRITIQUES POUR LA SÉCURITÉ DE FONCTIONNEMENT. NE REMPLACER CES COMPOSANTS QUE PAR DES PIÈCES SONY DONT LES NUMÉROS SONT DONNÉS DANS CE MANUEL OU DANS LES SUPPLÉMENTS PUBLIÉS PAR SONY.

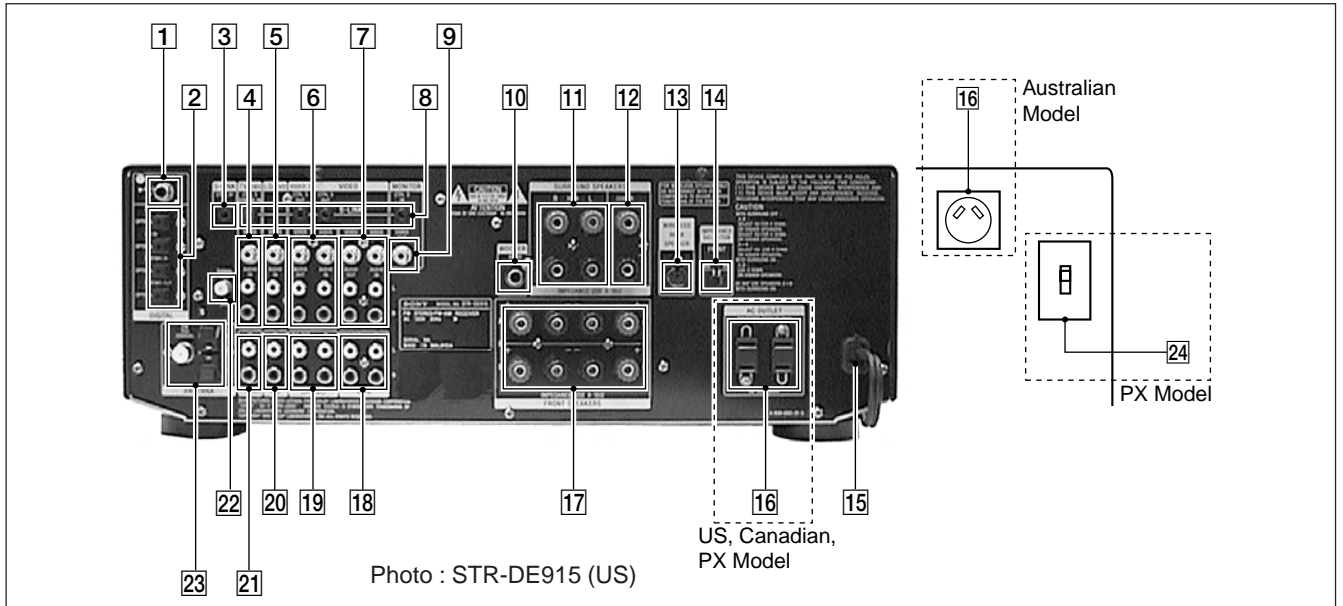
SECTION 1 GENERAL

LOCATION AND FUNCTION OF CONTROLS [FRONT PANEL]



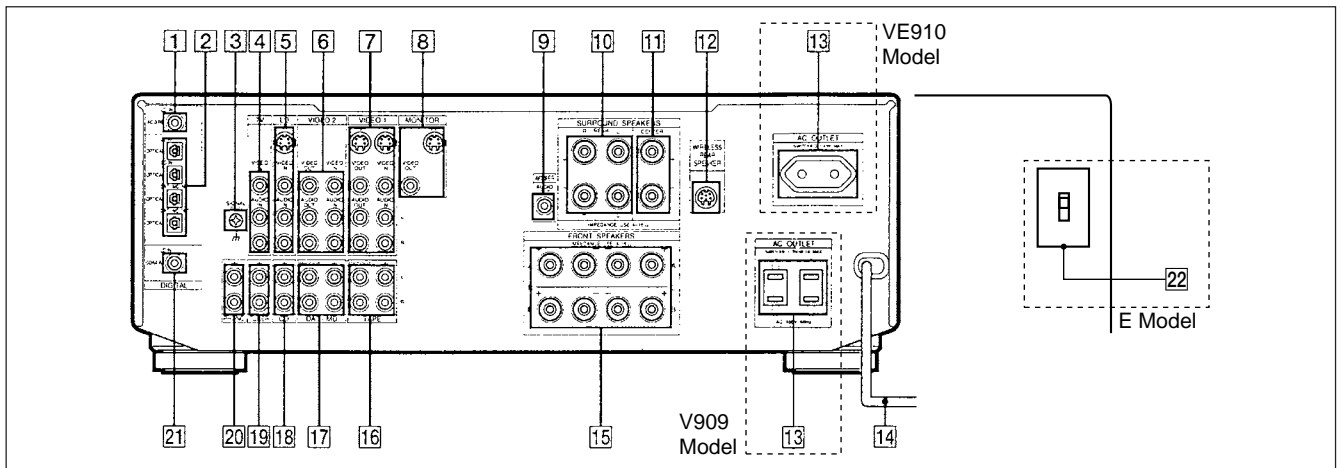
- | | | | |
|-----------|---|-----------|--|
| 1 | DPC MODE button | 16 | AUDIO FUNCTION buttons |
| 2 | POWER switch | 17 | VIDEO FUNCTION buttons |
| 3 | SUR, TONE, INDEX indicators | 18 | DIRECT button (STR-DE915) |
| 4 | Digital processing control buttons | 19 | SHIFT button (STR-DE915) |
| 5 | Function indicators | 20 | Numeric buttons (STR-DE915) |
| 6 | DIRECT PASS indicator | 21 | PRESET TUNING +, - buttons (STR-DE915) |
| 7 | DISCRETE indicator | 22 | MEMORY button (STR-DE915) |
| 8 | MASTER VOLUME control | 23 | DISPLAY button |
| 9 | BALANCE control | 24 | FM/AM button (STR-DE915) |
| 10 | VIDEO 3 INPUT jack | 24 | DIMMER button (TA-V909/VE910) |
| 11 | BASS BOOST button/indicator | 25 | FM MODE button (STR-DE915) |
| 12 | SOUND FIELD ON/OFF button | 26 | TUNING +, - buttons (STR-DE915) |
| 13 | MODE button | 27 | PHONES jack |
| 14 | GENRE button | 28 | SPEAKERS switch |
| 15 | DIRECT PASS, SET UP, INPUT MODE buttons | | |

**[REAR PANEL]
STR-DE915 MODEL**



- | | |
|--|--|
| <ul style="list-style-type: none"> 1 LD/DVD IN AC-3 RF 2 LD/DVD IN/CD/IN/DAT/MD IN/OUT OPTICAL 3 S-LINK CTRL A1 (US, Canadian model) 4 TV/DBS (US, Canadian model) 5 LD/DVS (US, Canadian model) 5 LD (PX, Australian model) 6 VIDEO 2 (US, Canadian model) 7 VIDEO 1 8 CTRL S (US, Canadian model) 9 MONITOR 10 WOOFER 11 SURROUND SPEAKERS (REAR) 12 SURROUND SPEAKERS (CENTER) | <ul style="list-style-type: none"> 13 WIRELESS REAR SPEAKER 14 IMPEDANCE SELECTOR 15 AC power cord 16 AC OUTLET (Outlet shape and position varies according to destination) 17 FRONT SPEAKERS (A/B) 18 TAPE 19 DAT/MD 20 CD 21 PHONO 22 \hbar SIGNALGND 23 ANTENNA (AM/FM) 24 VOLTAGE SELECTOR (PX model) |
|--|--|

TA-V909/VE910 MODEL

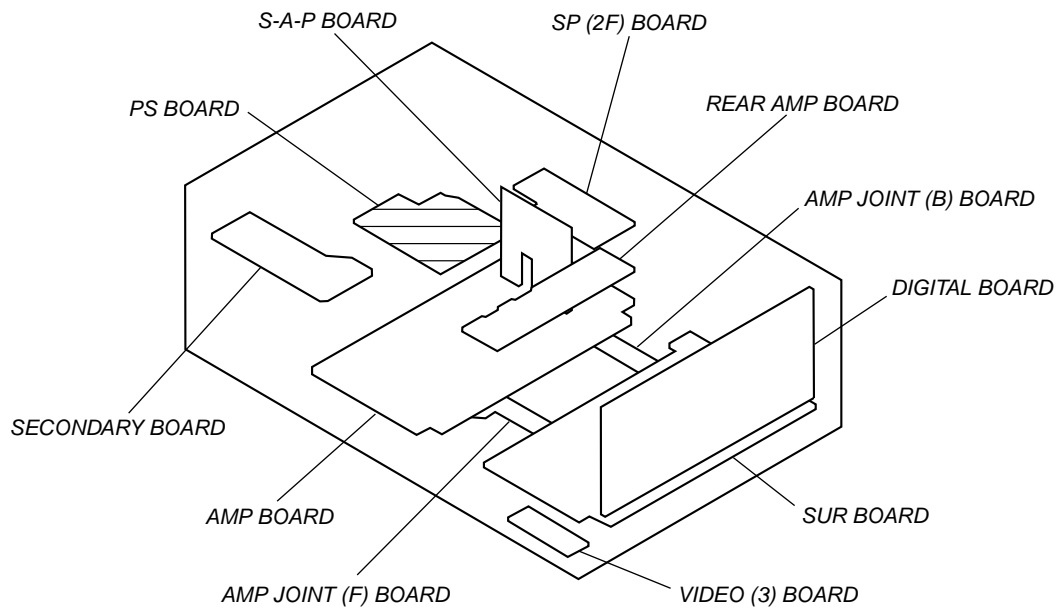
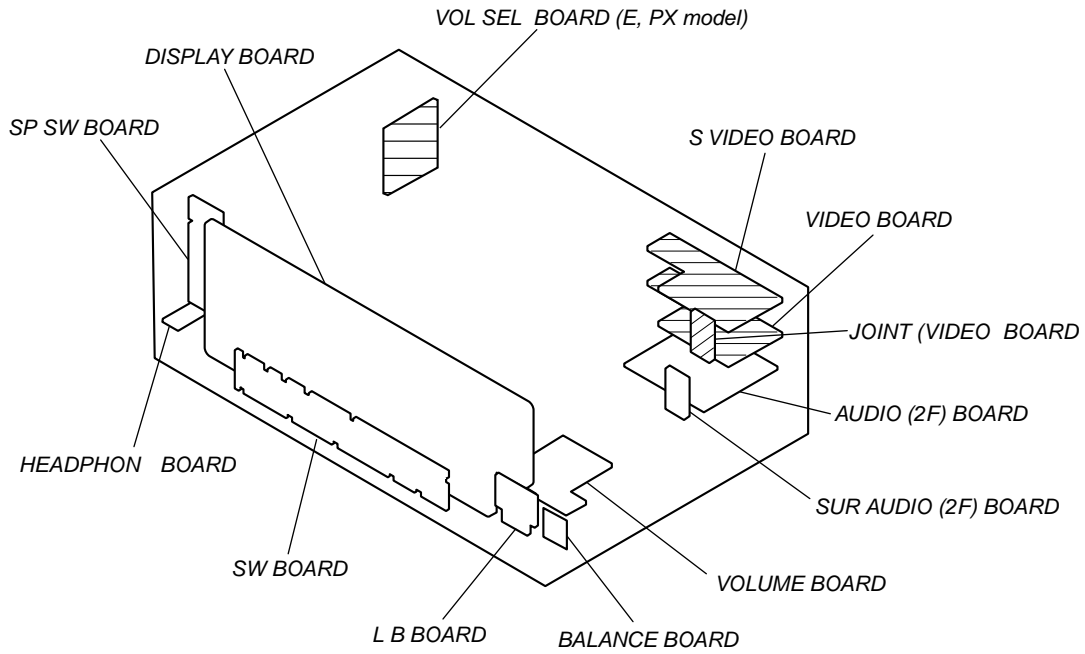


- | | |
|---|---|
| <ul style="list-style-type: none"> 1 DVD/LD IN AC-3 RF 2 DVD/LD IN/CD IN/DAT/MD IN/OUT OPTICAL 3 \hbar SIGNALGND 4 TV 5 LD/DVD 6 VIDEO 2 7 VIDEO 1 8 MONITOR 9 WOOFER 10 SURROUND SPEAKERS (REAR) 11 SURROUND SPEAKERS (CENTER) | <ul style="list-style-type: none"> 12 WIRELESS REAR SPEAKER 13 AC OUTLET 14 AC power cord 15 FRONT SPEAKERS (A/B) 16 TAPE 17 DAT/MD 18 CD 19 TUNER 20 PHONO 21 DVD/LD IN COAXIAL 22 VOLTAGE SELECTOR (E model) |
|---|---|

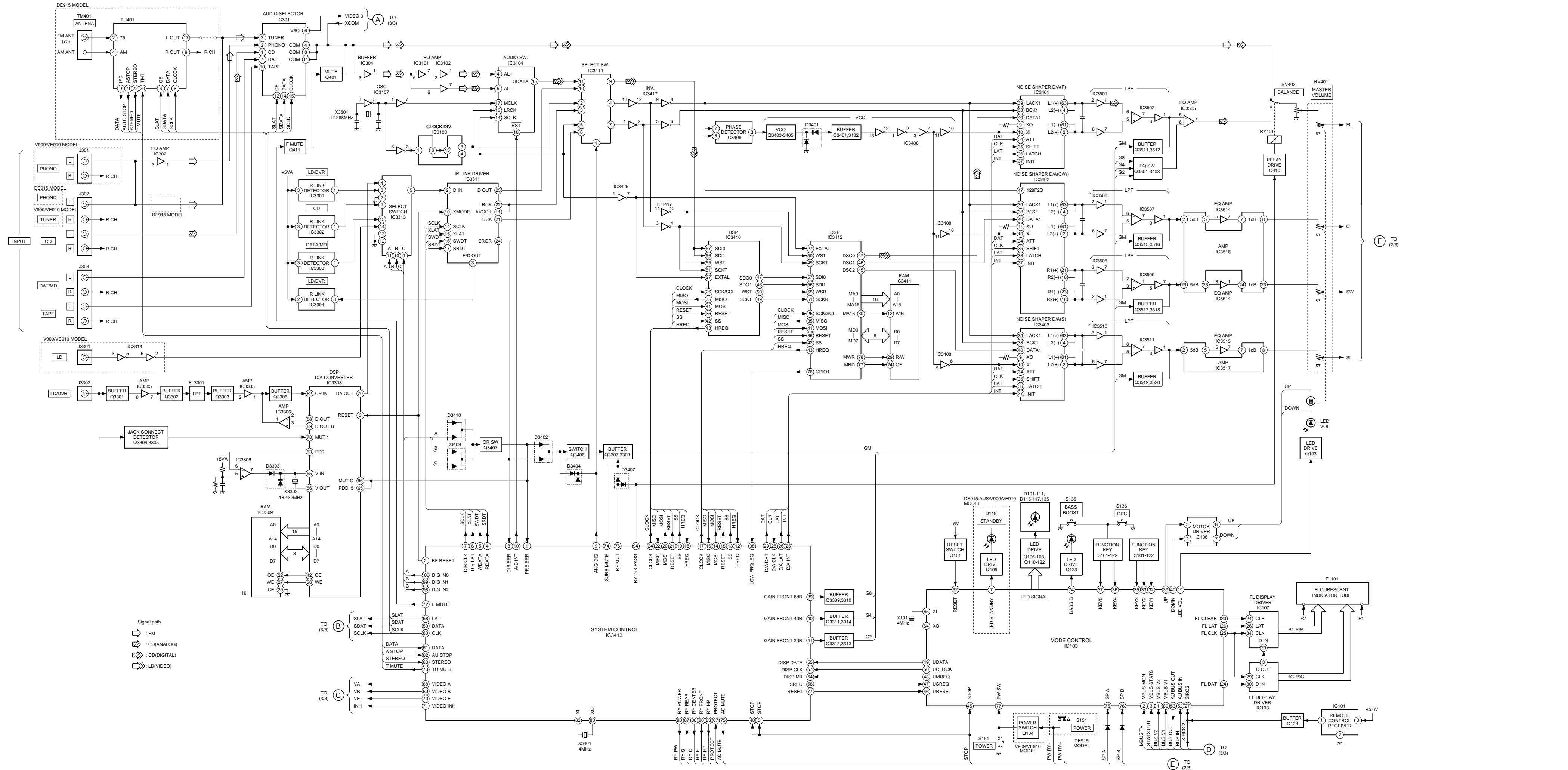
* : DVD (STR-DE915/TA-V909 Model)

SE ION 2 DIAGRAMS

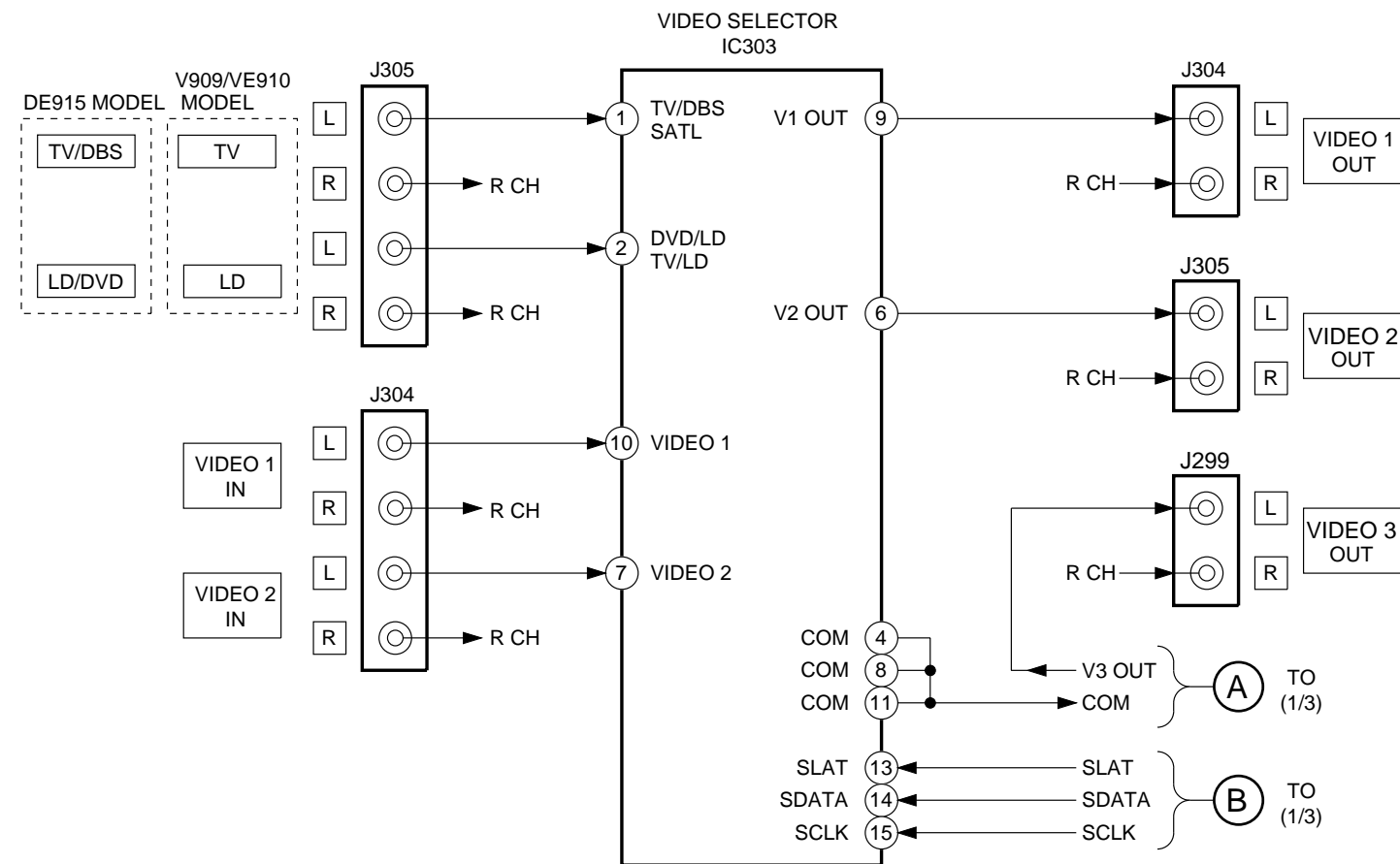
2.1 CIRCUIT BOARDS LOCATION



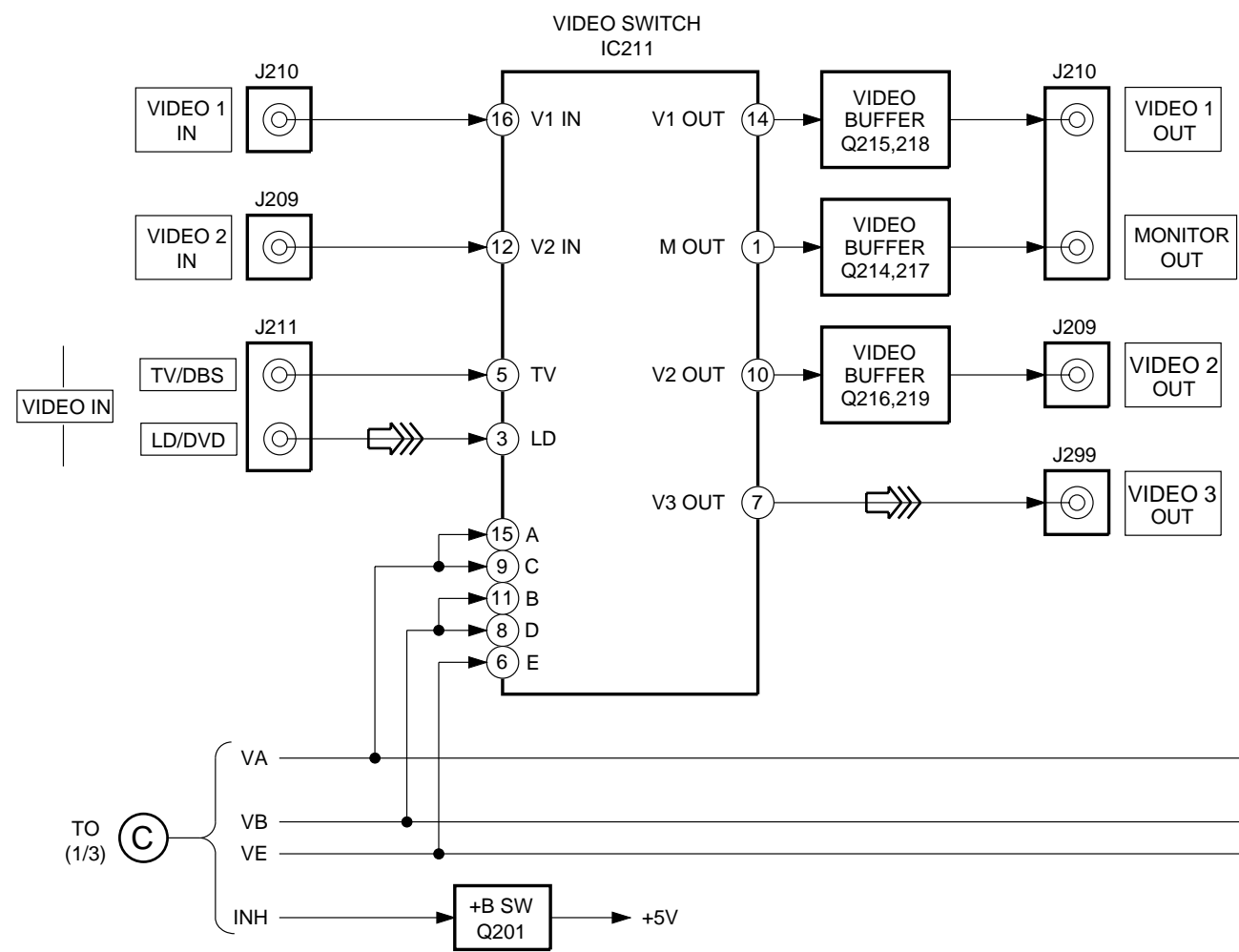
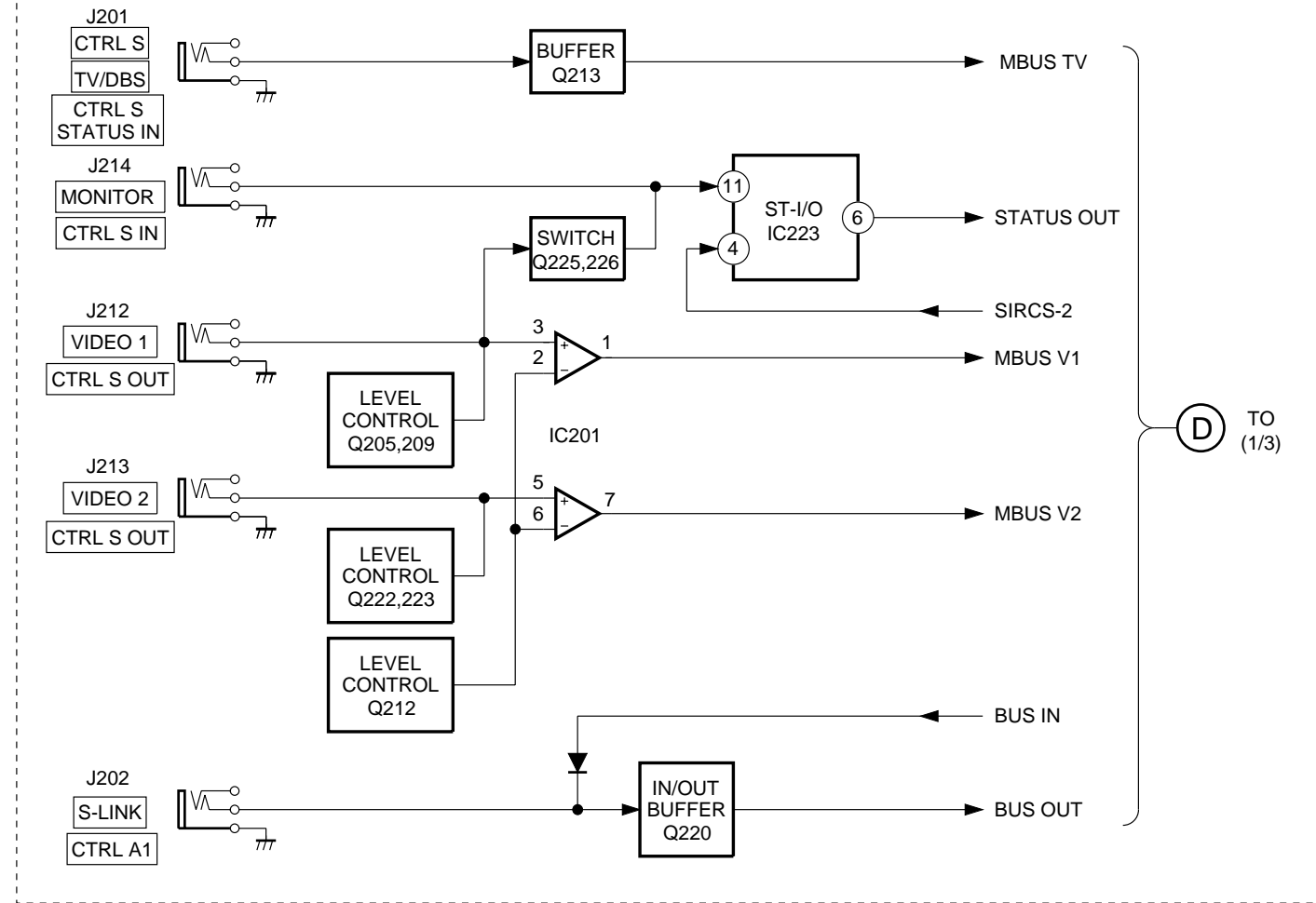
2-2. BLOCK DIAGRAM — MAIN SECTION —



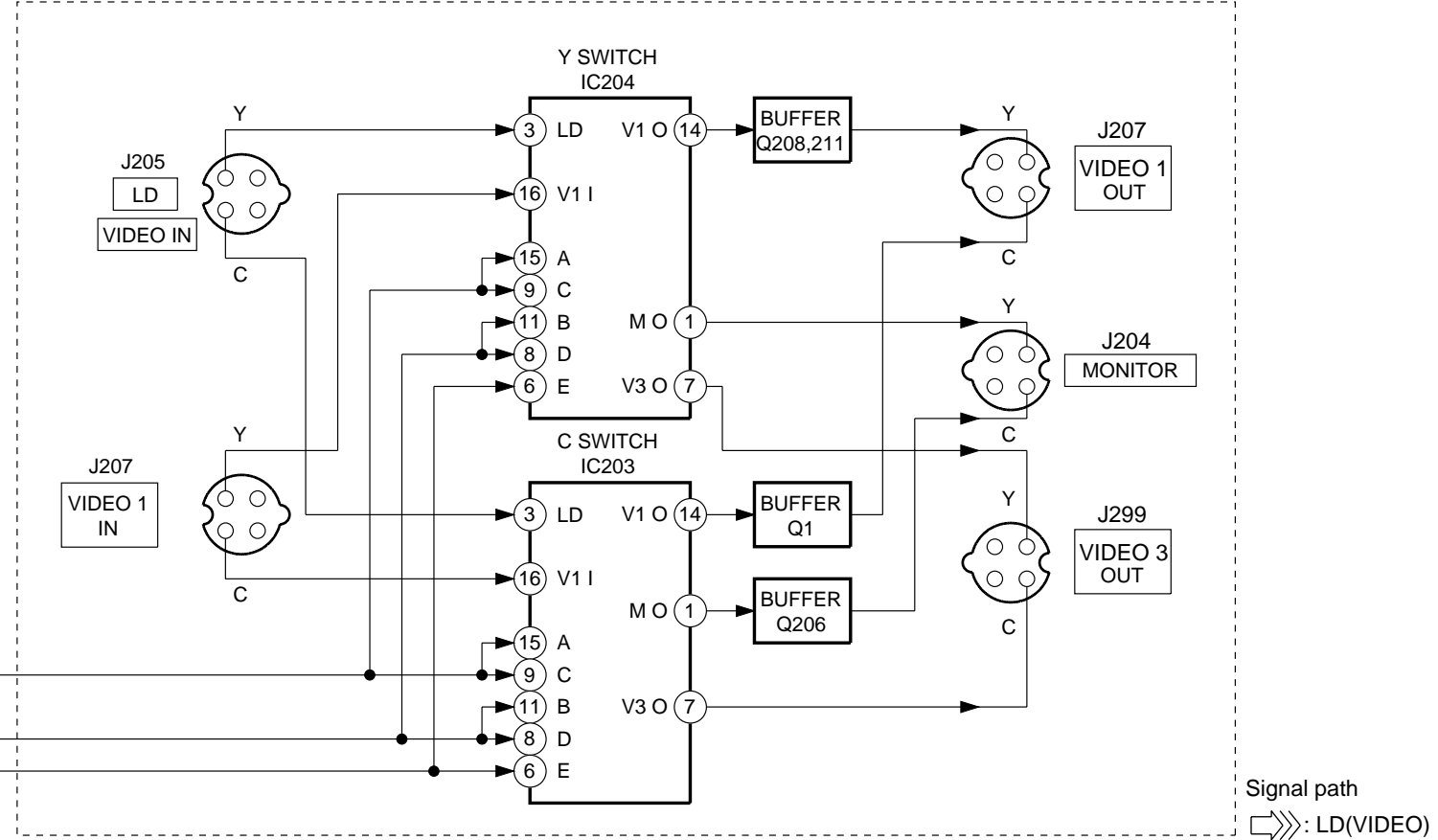
2-3. BLOCK DIAGRAM — VIDEO IN/OUT SECTION —



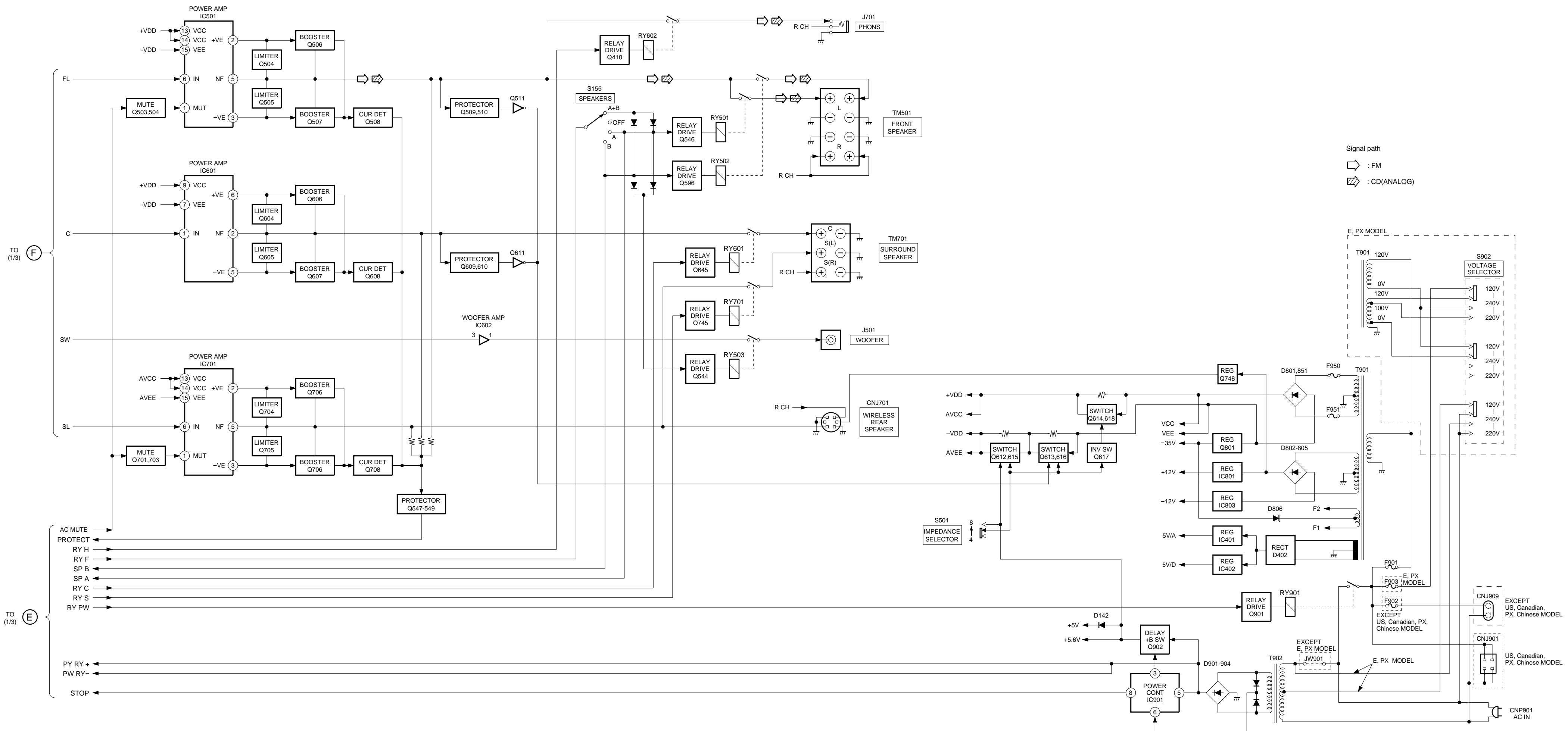
DE915:US,Canadian MODEL



EXCEPT DE915:US, Canadian MODEL



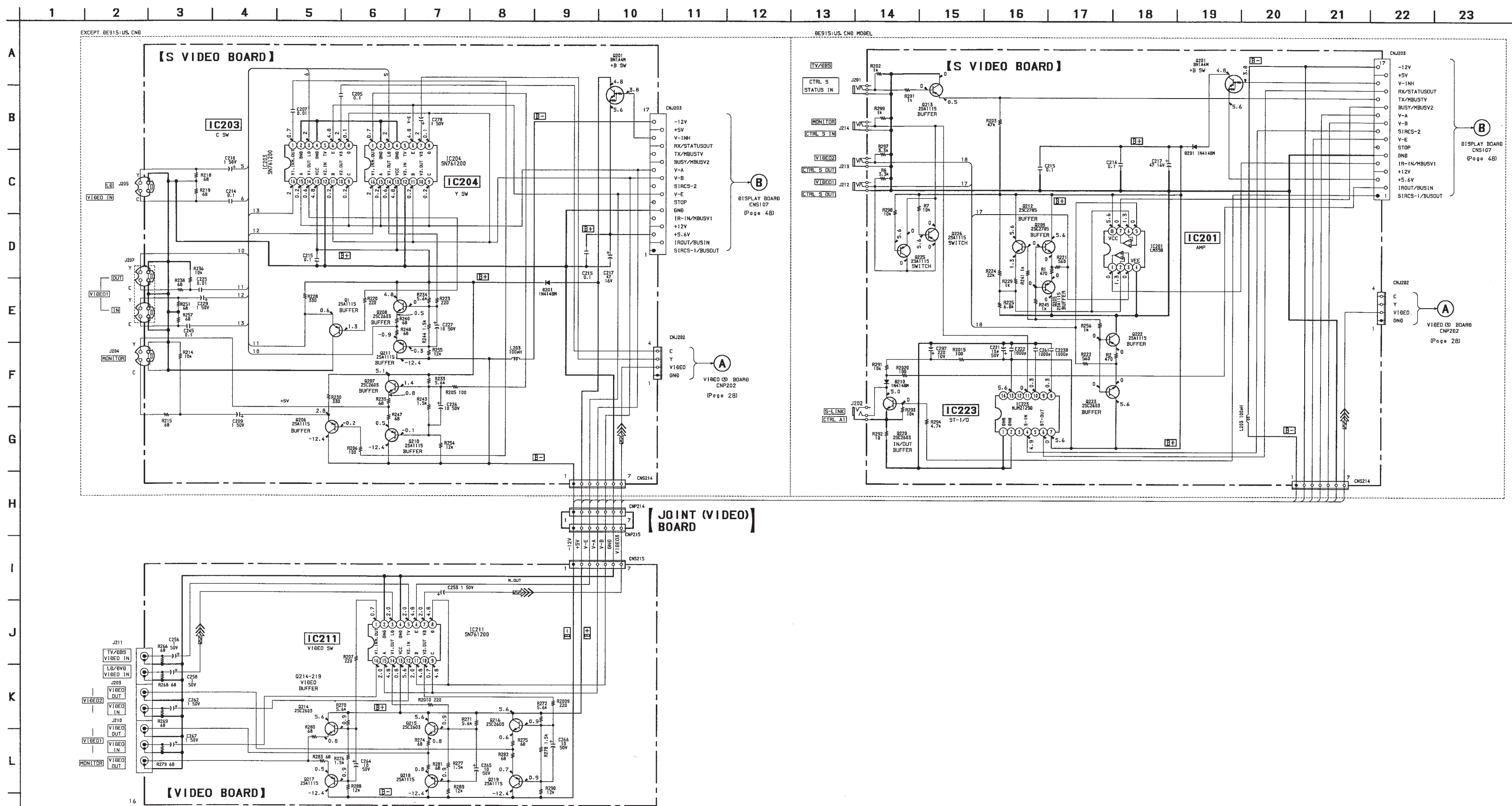
2-4. BLOCK DIAGRAM —POWER SECTION—



Signal path
 □ : FM
 ▤ : CD(ANALOG)

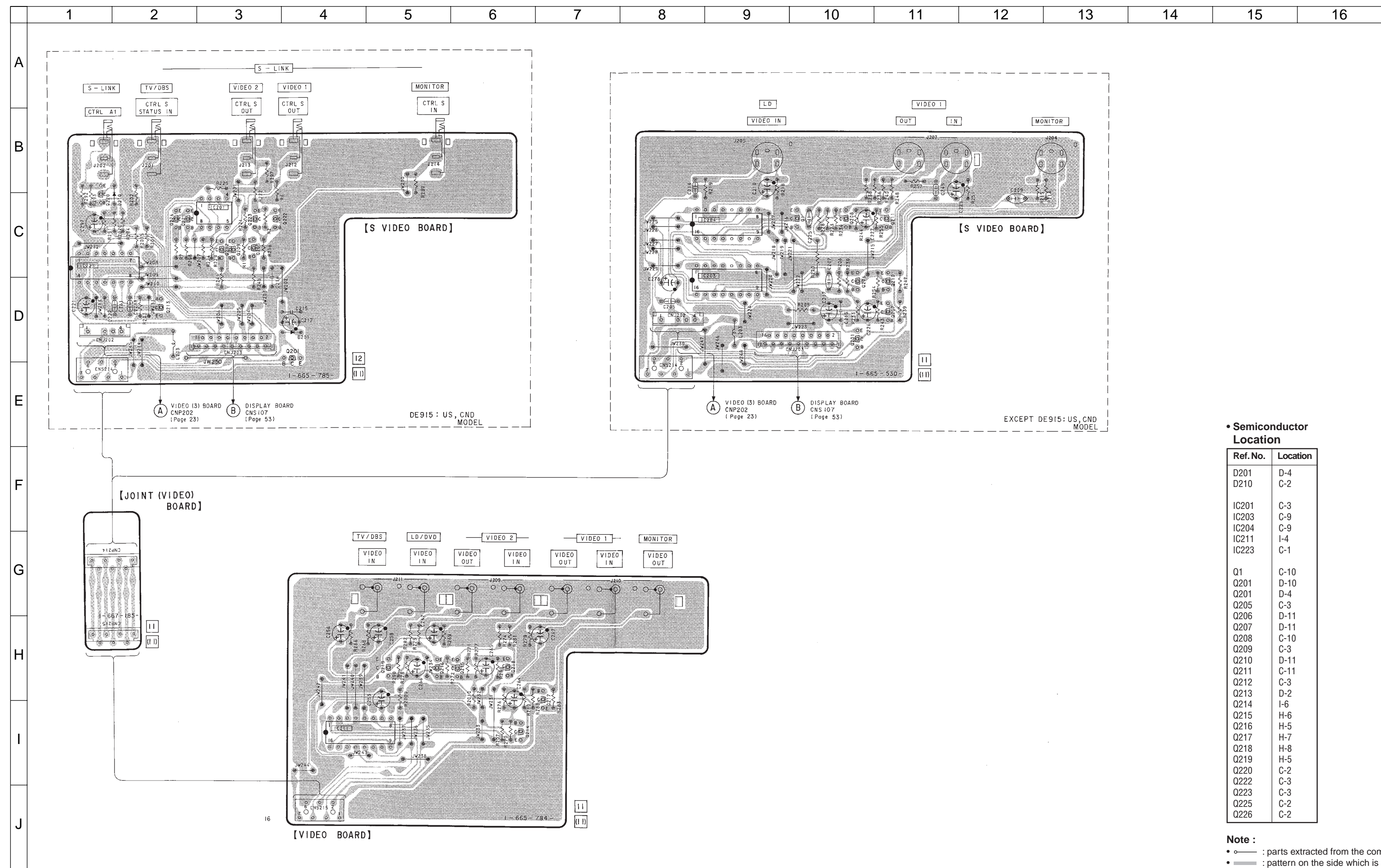
TO (1/3) F

TO (1/3) E



- Note :**
- All capacitors are in μF unless otherwise noted. pF: μF 50WV or less are not indicated except for electrolytics and tantalums.
 - All resistors are in Ω and 1/4W or less unless otherwise specified.
 - : panel designation.
 - B+ : B+ Line.
 - B- : B- Line.
 - Voltage is measured with respect to ground under no-signal conditions.
 - Voltages are reference value measured by a VOM (10M Ω /V).
 - Signal path
 - \Rightarrow : LD (VIDEO)
 - Abbreviation
 - CND : Canadian

2-6. PRINTED WIRING BOARD — VIDEO SECTION —

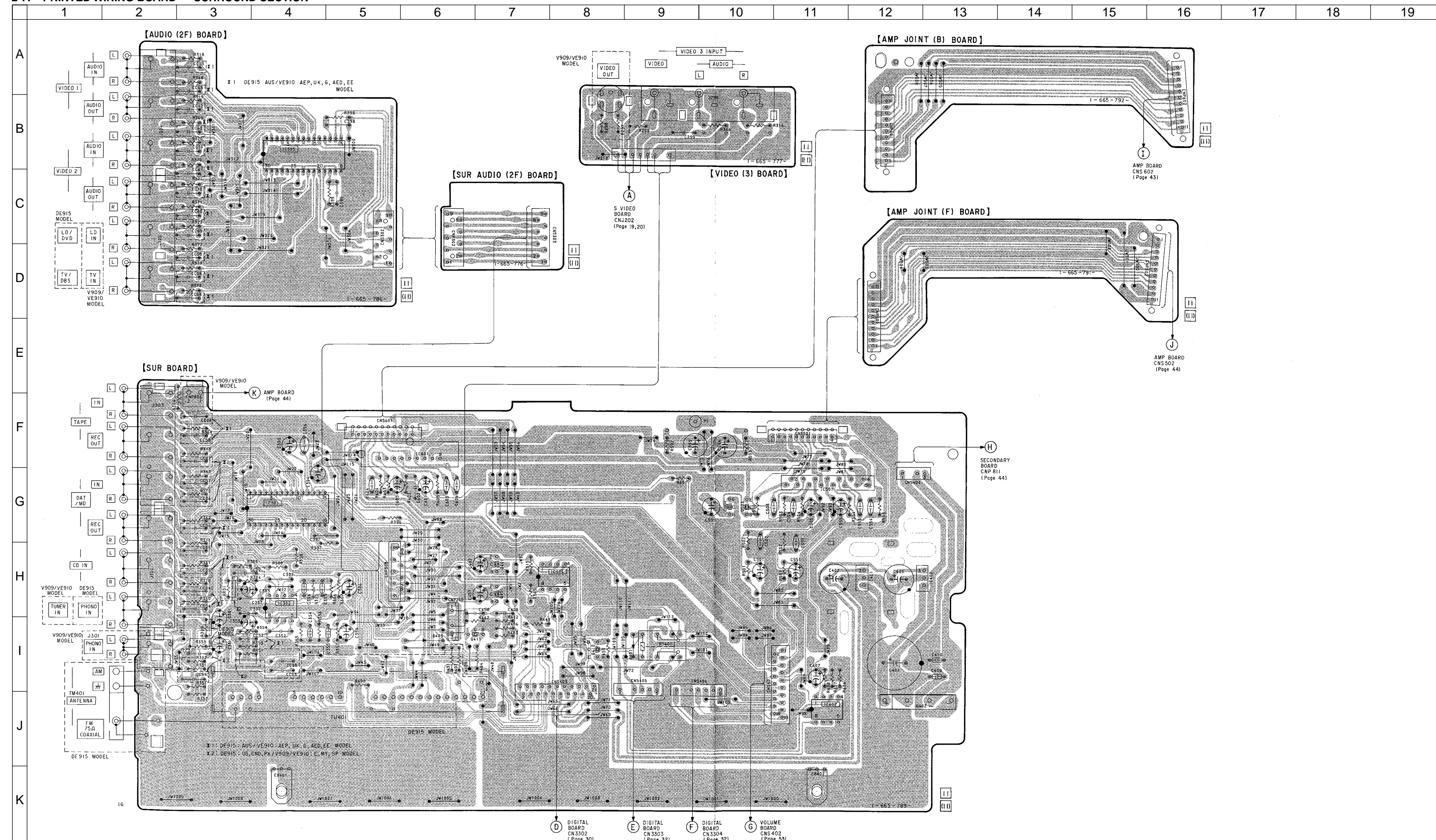


• Semiconductor Location

| Ref. No. | Location |
|----------|----------|
| D201 | D-4 |
| D210 | C-2 |
| IC201 | C-3 |
| IC203 | C-9 |
| IC204 | C-9 |
| IC211 | I-4 |
| IC223 | C-1 |
| Q1 | C-10 |
| Q201 | D-10 |
| Q201 | D-4 |
| Q205 | C-3 |
| Q206 | D-11 |
| Q207 | D-11 |
| Q208 | C-10 |
| Q209 | C-3 |
| Q210 | D-11 |
| Q211 | C-11 |
| Q212 | C-3 |
| Q213 | D-2 |
| Q214 | I-6 |
| Q215 | H-6 |
| Q216 | H-5 |
| Q217 | H-7 |
| Q218 | H-8 |
| Q219 | H-5 |
| Q220 | C-2 |
| Q222 | C-3 |
| Q223 | C-3 |
| Q225 | C-2 |
| Q226 | C-2 |

Note :

- — : parts extracted from the component side.
- — : pattern on the side which is seen.
- Abbreviation
- CND : Canadian



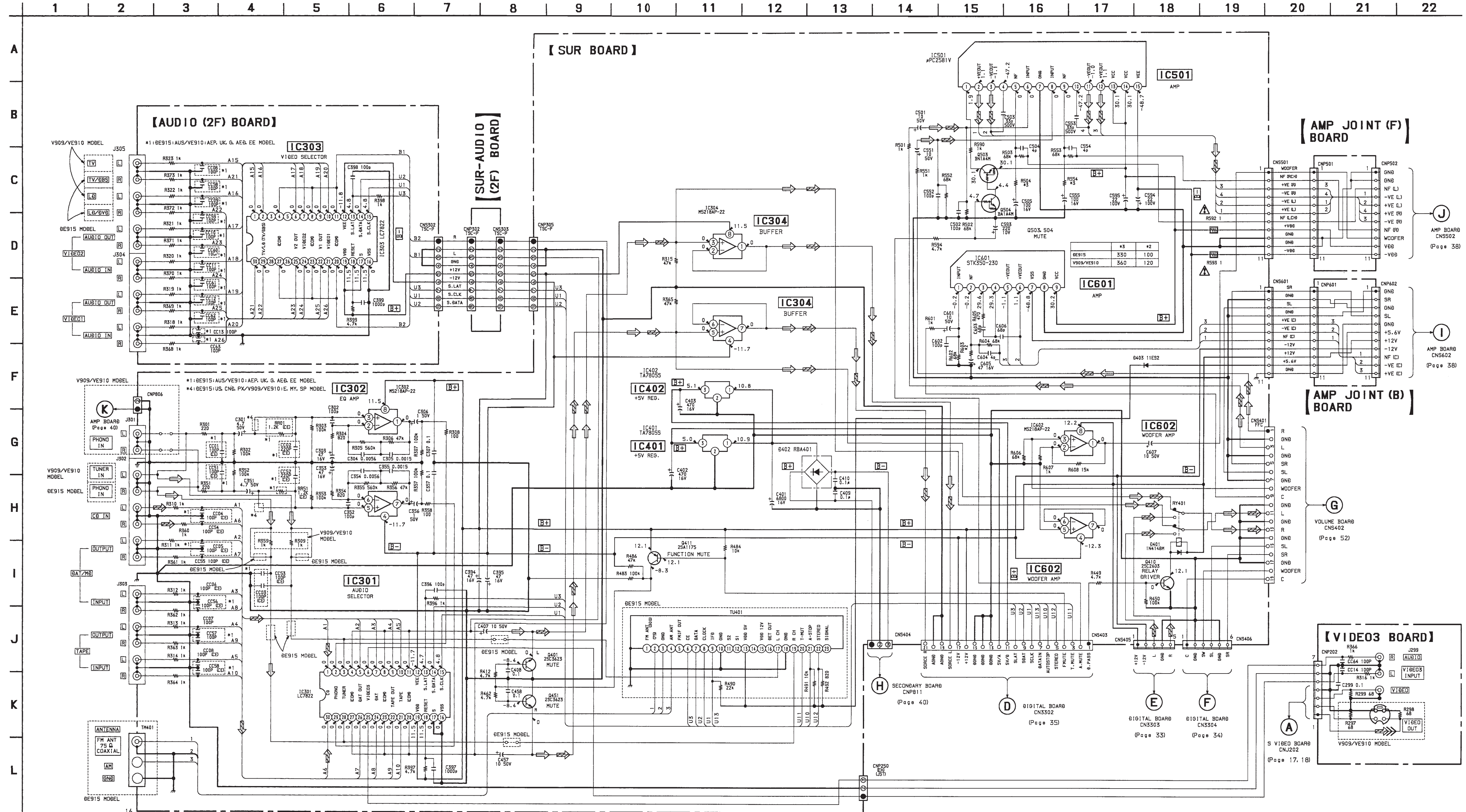
• Semiconductor Location

| Ref. No. | Location |
|----------|----------|
| D401 | I-9 |
| D402 | J-13 |
| D403 | I-6 |
| IC301 | G-4 |
| IC302 | H-4 |
| IC303 | B-4 |
| IC304 | H-8 |
| IC401 | H-12 |
| IC402 | H-13 |
| IC501 | G-11 |
| IC601 | F-6 |
| IC602 | J-11 |
| Q401 | H-7 |
| Q410 | I-8 |
| Q411 | I-7 |
| Q451 | H-7 |
| Q503 | G-10 |
| Q504 | G-10 |

Note :

- : parts extracted from the component side.
- : pattern on the side which is seen.
- Abbreviation

| | | | |
|-----|------------------|-----|-----------------|
| CND | : Canadian | AUS | : Australian |
| CH | : Chinese | G | : German |
| AED | : North European | EE | : East European |
| MY | : Malaysia | SP | : Singapore |



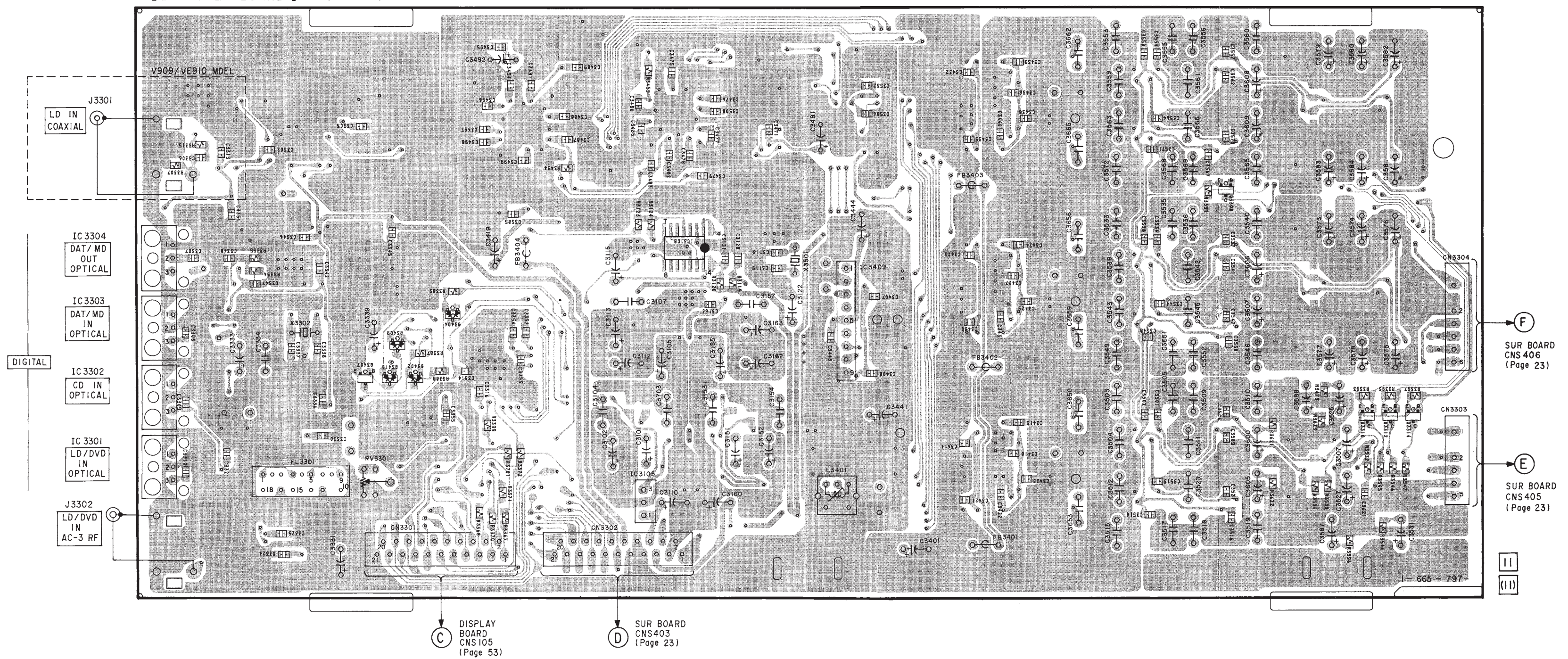
Note :

- All capacitors are in μF unless otherwise noted. pF: μF 50WV or less are not indicated except for electrolytics and tantalums.
- All resistors are in Ω and 1/4W or less unless otherwise specified.
- \square : non flammable resistor.
- \square : panel designation.
- \square : B+ Line.
- \square : B- Line.
- Voltage is measured with respect to ground under no-signal conditions.
- Voltages are reference value measured by a VOM (10M Ω V).
- Signal path
- \rightarrow : FM \rightarrow CD (ANALOG) \rightarrow LD (VIDEO)
- Abbreviation
- CND : Canadian AUS : Australian
- CH : Chinese G : German
- AED : North European EE : East European
- MY : Malaysia SP : Singapore

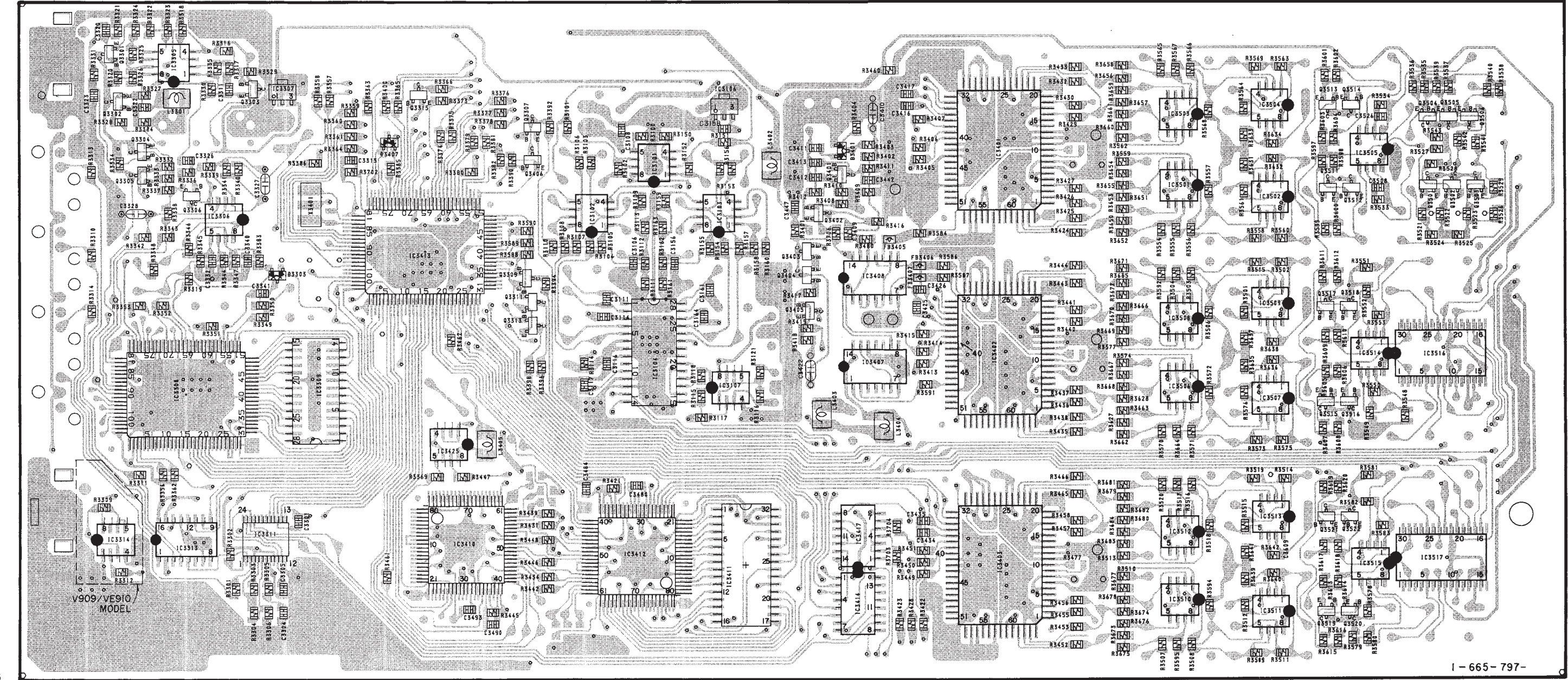
1 2 3 4 5 6 7 8 9 10 11 12 13

A
B
C
D
E
F
G
H
I
J

[DIGITAL BOARD] (A SIDE)



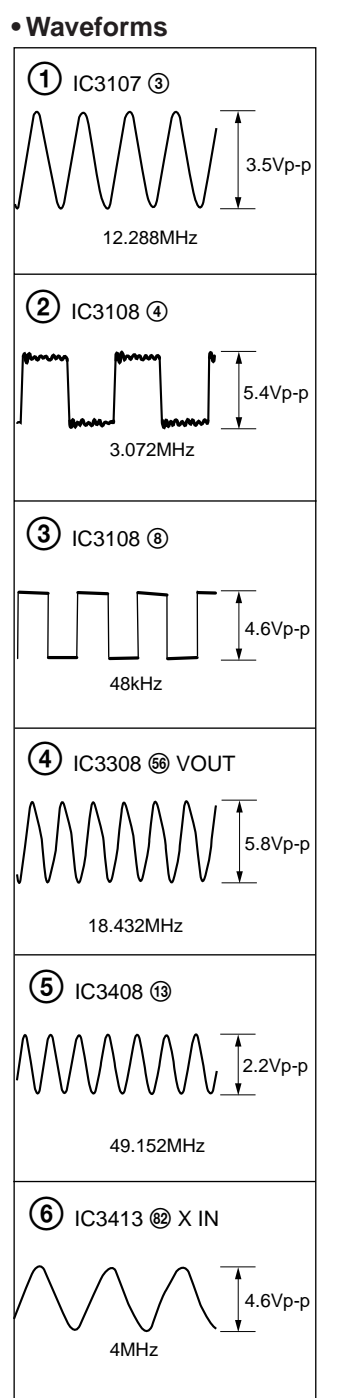
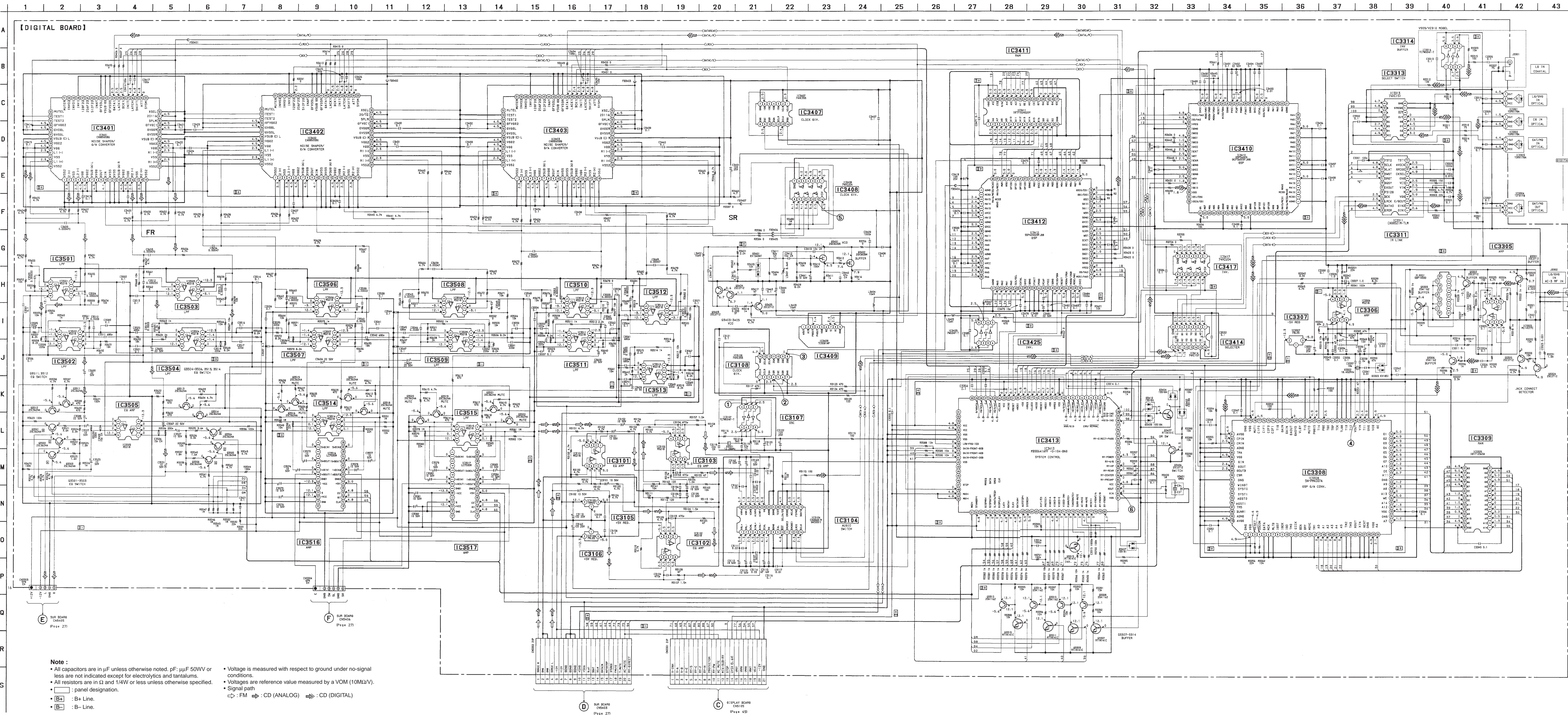
[DIGITAL BOARD] (B SIDE)



• Semiconductor Location

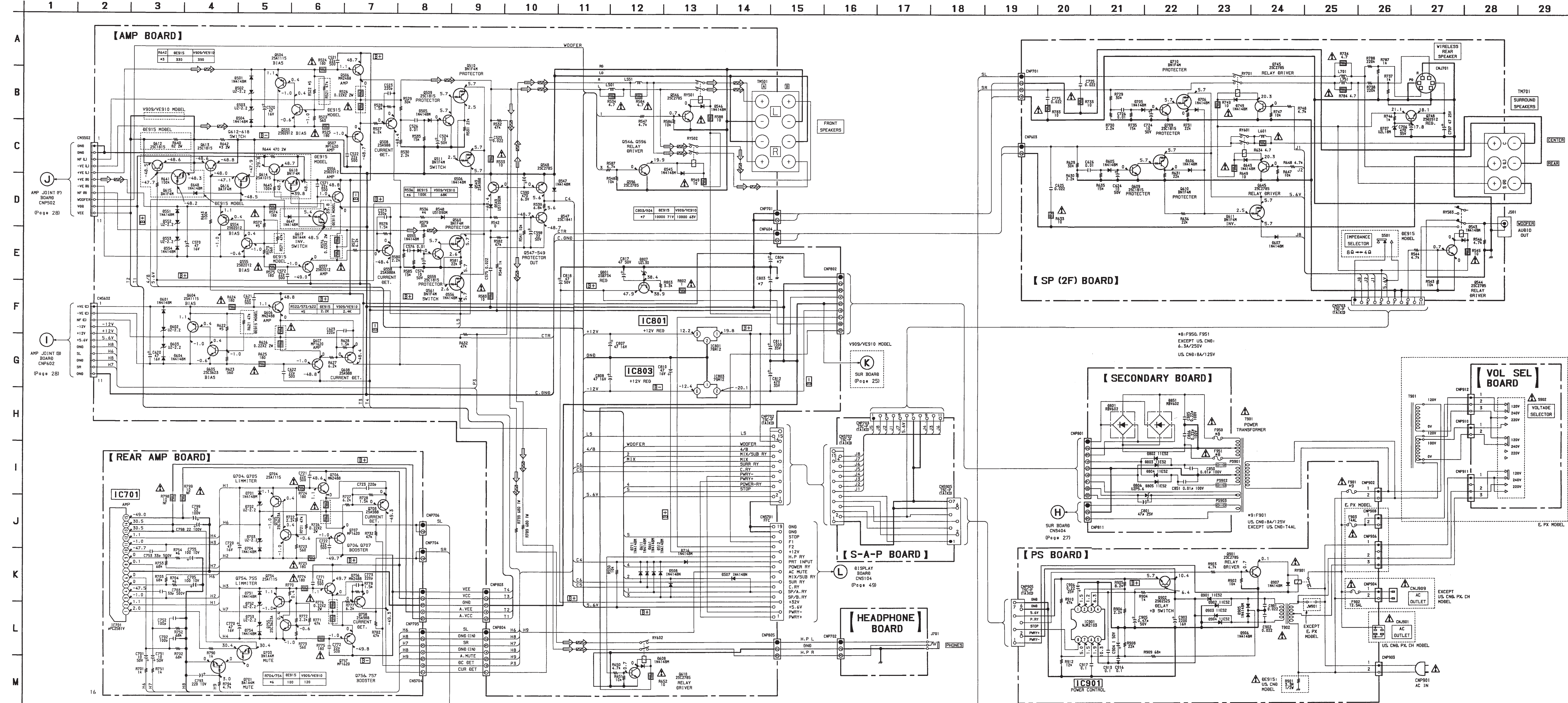
| Ref. No. | Location | Ref. No. | Location |
|----------|----------|----------|----------|
| D3303 | H-4 | IC3510 | J-10 |
| D3401 | G-8 | IC3511 | J-11 |
| D3402 | D-4 | IC3512 | J-10 |
| D3404 | C-4 | IC3513 | J-11 |
| D3407 | G-5 | IC3514 | I-11 |
| D3409 | C-4 | IC3515 | J-11 |
| D3410 | D-4 | IC3516 | I-12 |
| | | IC3517 | J-12 |
| IC3101 | G-6 | | |
| IC3102 | H-6 | Q3301 | G-3 |
| IC3103 | H-7 | Q3302 | G-3 |
| IC3104 | I-6 | Q3303 | G-4 |
| IC3105 | E-6 | Q3304 | G-3 |
| IC3106 | G-7 | Q3305 | G-3 |
| IC3107 | I-7 | Q3306 | H-3 |
| IC3108 | C-6 | Q3307 | G-6 |
| IC3301 | D-2 | Q3308 | B-11 |
| IC3302 | D-2 | Q3309 | H-5 |
| IC3303 | C-2 | Q3310 | D-12 |
| IC3304 | C-2 | Q3311 | H-5 |
| IC3305 | G-3 | Q3312 | D-12 |
| IC3306 | H-3 | Q3313 | H-5 |
| IC3307 | G-4 | Q3314 | D-12 |
| IC3308 | I-3 | Q3315 | G-5 |
| IC3309 | I-4 | Q3401 | G-8 |
| IC3311 | J-4 | Q3402 | H-8 |
| IC3313 | J-3 | Q3403 | H-7 |
| IC3314 | J-3 | Q3404 | H-7 |
| IC3401 | G-9 | Q3405 | H-7 |
| IC3402 | I-9 | Q3406 | G-6 |
| IC3403 | J-9 | Q3407 | D-4 |
| IC3407 | I-8 | Q3501 | H-12 |
| IC3408 | H-8 | Q3502 | H-12 |
| IC3409 | C-8 | Q3503 | H-12 |
| IC3410 | J-5 | Q3504 | G-12 |
| IC3411 | J-7 | Q3505 | G-12 |
| IC3412 | J-6 | Q3506 | G-12 |
| IC3413 | H-5 | Q3511 | G-11 |
| IC3414 | J-8 | Q3512 | H-11 |
| IC3417 | J-8 | Q3513 | G-11 |
| IC3425 | I-5 | Q3514 | G-11 |
| IC3501 | G-10 | Q3515 | I-11 |
| IC3502 | H-11 | Q3516 | I-11 |
| IC3503 | G-10 | Q3517 | H-11 |
| IC3504 | G-11 | Q3518 | H-11 |
| IC3505 | G-11 | Q3519 | J-11 |
| IC3506 | I-10 | Q3520 | J-11 |
| IC3507 | I-11 | Q3521 | J-11 |
| IC3508 | H-10 | Q3522 | J-11 |
| IC3509 | H-11 | | |

— : parts extracted from the component side.
— : pattern on the side which is seen.



Note :

- All capacitors are in μF unless otherwise noted. pF : μpF 50WV or less are not indicated except for electrolytics and tantalums.
- All resistors are in Ω and 1/4W or less unless otherwise specified.
- \square : panel designation.
- $\text{B}+$: B+ Line.
- $\text{B}-$: B- Line.
- Voltage is measured with respect to ground under no-signal conditions.
- Voltages are reference value measured by a VOM (10M Ω /V).
- Signal path
- FM \Rightarrow CD (ANALOG) \Rightarrow CD (DIGITAL)



Note :

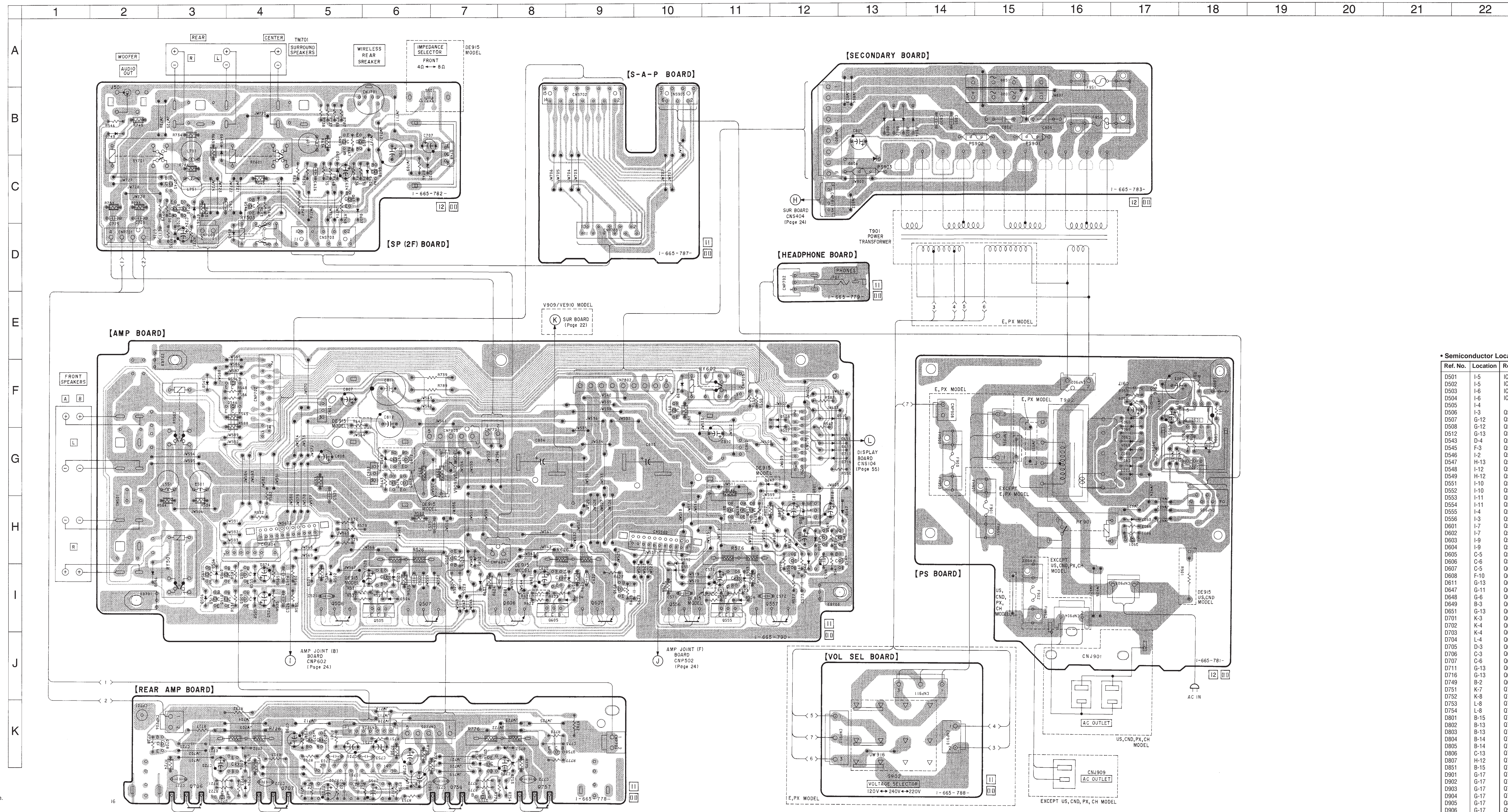
- All capacitors are in μF unless otherwise noted. pF : μF 50WV or less are not indicated except for electrolytics and tantalums.
- All resistors are in Ω and 1/4W or less unless otherwise specified.
- \square : non flammable resistor.
- \square : panel designation.
- \oplus : + Line.
- \ominus : - Line.

The components identified by mark Δ or dotted line with mark Δ are critical for safety. Replace only with part number specified.

Les composants identifiés par une marque Δ sont critiques pour la sécurité. Ne les remplacer que par une pièce portant le numéro spécifié.

- Voltage is measured with respect to ground under no-signal conditions.
- Voltages are reference value measured by a VOM (10M Ω /V).
- Signal path
- \rightarrow : FM \Rightarrow : CD (ANALOG)
- Abbreviation
- CND : Canadian
- CH : Chinese

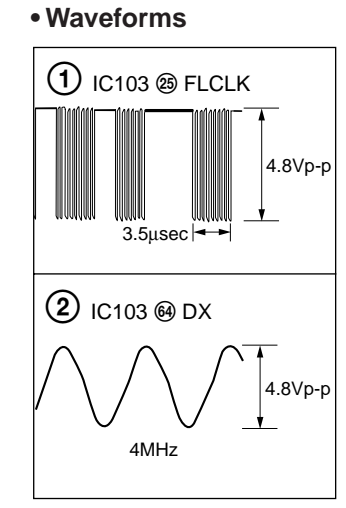
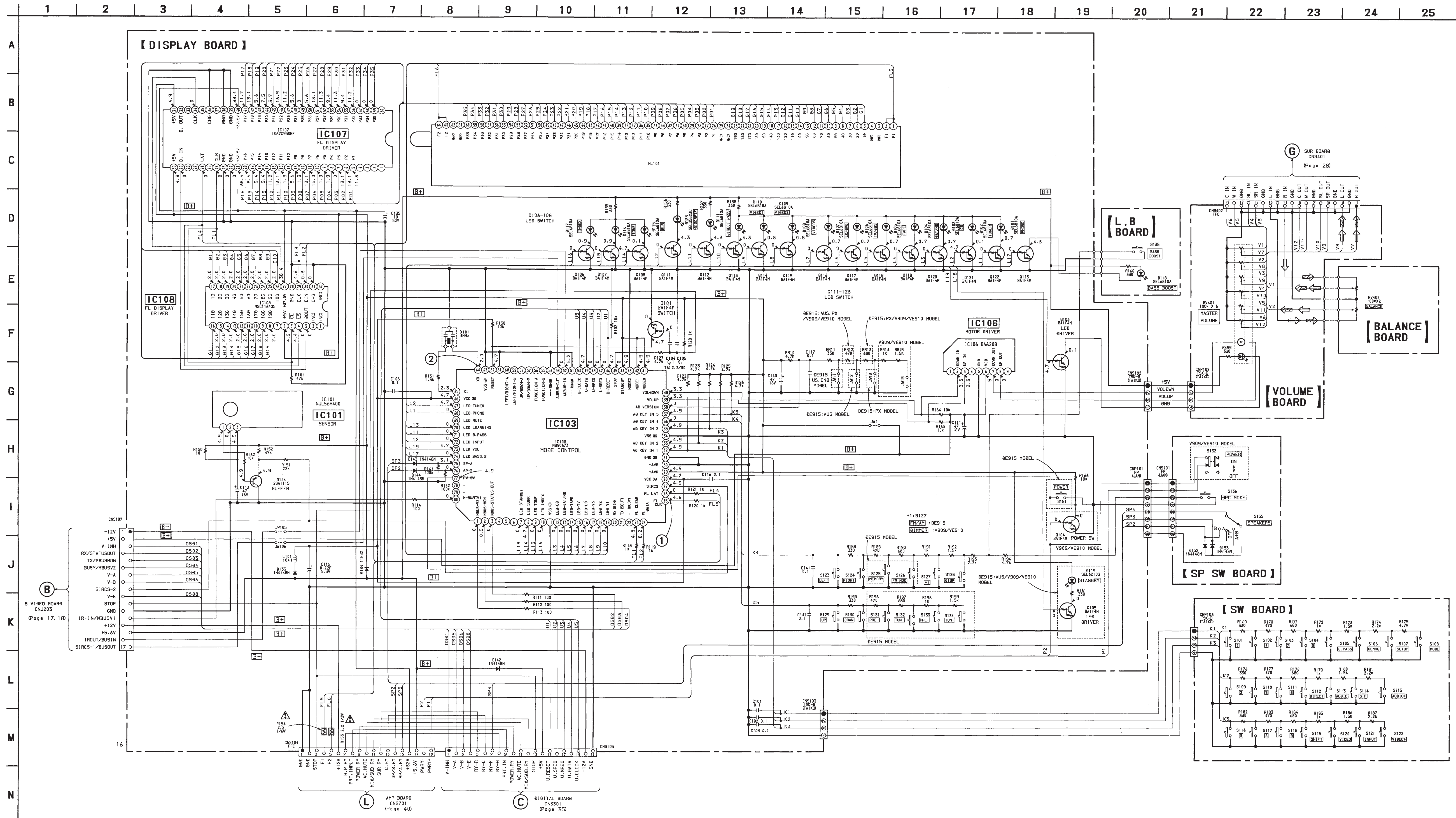
2-12. PRINTED WIRING BOARD — AMP, POWER SUPPLY SECTION —



Note :
 • — : parts extracted from the component side.
 • — : pattern on the side which is seen.
 • Abbreviation
 CND : Canadian
 CH : Chinese

• Semiconductor Location

| Ref. No. | Location | Ref. No. | Location |
|----------|----------|----------|----------|
| D501 | I-5 | IC701 | L-5 |
| D502 | I-5 | IC801 | F-5 |
| D503 | I-6 | IC803 | G-6 |
| D504 | I-6 | IC901 | G-18 |
| D505 | I-4 | | |
| D506 | I-3 | 0504 | I-6 |
| D507 | G-12 | 0505 | I-6 |
| D508 | G-12 | 0506 | I-5 |
| D512 | G-13 | 0507 | I-6 |
| D543 | D-4 | 0508 | I-7 |
| D545 | F-3 | 0509 | I-4 |
| D546 | I-2 | 0510 | I-3 |
| D547 | H-13 | 0511 | I-3 |
| D548 | I-12 | 0544 | C-4 |
| D549 | H-12 | 0546 | F-4 |
| D551 | I-10 | 0547 | I-13 |
| D552 | I-10 | 0548 | H-13 |
| D553 | I-11 | 0549 | H-12 |
| D554 | I-11 | 0554 | I-11 |
| D555 | I-4 | 0555 | I-11 |
| D556 | I-3 | 0556 | I-10 |
| D601 | I-7 | 0557 | I-11 |
| D602 | I-7 | 0558 | I-12 |
| D603 | I-9 | 0559 | I-4 |
| D604 | I-9 | 0560 | I-3 |
| D605 | C-5 | 0561 | I-3 |
| D606 | C-6 | 0596 | F-4 |
| D607 | C-5 | 0604 | I-8 |
| D608 | F-10 | 0605 | I-8 |
| D611 | G-13 | 0606 | I-8 |
| D647 | G-11 | 0607 | I-9 |
| D648 | G-6 | 0608 | I-9 |
| D649 | B-3 | 0609 | B-6 |
| D651 | G-13 | 0610 | F-10 |
| D701 | K-3 | 0610 | C-6 |
| D702 | K-4 | 0611 | C-5 |
| D703 | K-4 | 0612 | G-6 |
| D704 | L-4 | 0613 | G-6 |
| D705 | D-3 | 0614 | H-11 |
| D706 | C-3 | 0615 | G-6 |
| D707 | C-6 | 0616 | G-6 |
| D711 | G-13 | 0617 | H-11 |
| D716 | G-13 | 0618 | H-11 |
| D749 | B-2 | 0645 | B-5 |
| D751 | K-7 | 0701 | K-5 |
| D752 | K-8 | 0703 | K-5 |
| D753 | L-8 | 0704 | K-4 |
| D754 | L-8 | 0705 | L-3 |
| D801 | B-15 | 0706 | L-3 |
| D802 | B-13 | 0707 | L-4 |
| D803 | B-13 | 0708 | K-2 |
| D804 | B-14 | 0709 | C-3 |
| D805 | B-14 | 0710 | C-3 |
| D806 | C-13 | 0745 | C-3 |
| D807 | H-12 | 0748 | C-7 |
| D851 | B-15 | 0754 | K-7 |
| D901 | G-17 | 0755 | L-7 |
| D902 | G-17 | 0756 | L-7 |
| D903 | G-17 | 0757 | L-8 |
| D904 | G-17 | 0758 | K-8 |
| D905 | G-17 | 0801 | H-12 |
| D906 | G-17 | 0901 | H-17 |
| D907 | H-17 | 0902 | G-18 |



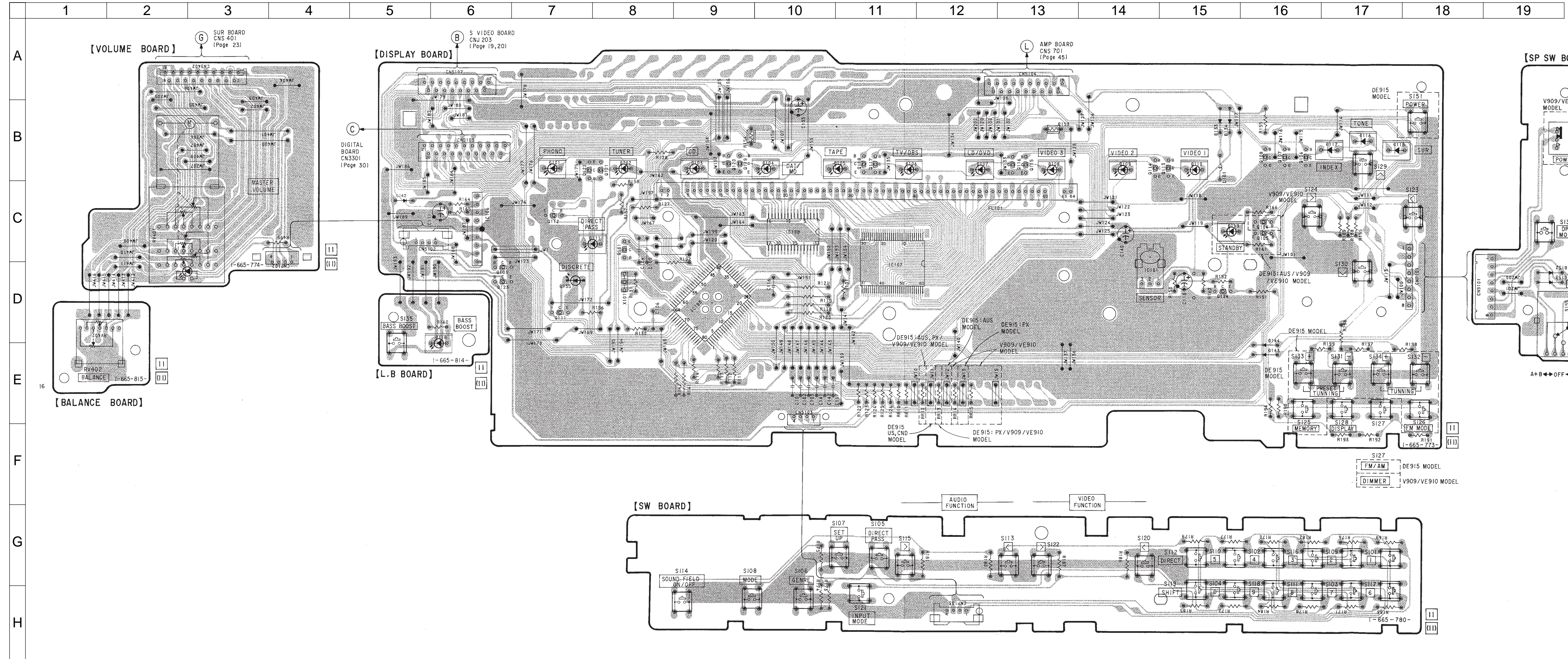
Note:

- All capacitors are in μF unless otherwise noted. pF : μF 50WV or less are not indicated except for electrolytics and tantalums.
- All resistors are in Ω and 1/4W or less unless otherwise specified.
- : non flammable resistor.
- : panel designation.
- B+: B+ Line.
- B-: B- Line.

The components identified by mark Δ or dotted line with mark Δ are critical for safety. Replace only with part number specified.

Les composants identifiés par une marque Δ sont critiques pour la sécurité. Ne les remplacer que par une pièce portant le numéro spécifié.

Voltage is measured with respect to ground under no-signal conditions.
 Voltages are reference value measured by a VOM (10M Ω /V).
 Signal path
 \rightarrow : FM \leftrightarrow : CD (ANALOG)
 Abbreviation
 CND : Canadian
 CH : Chinese



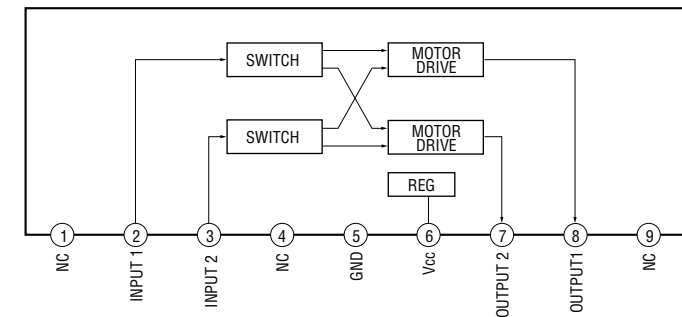
• Semiconductor Location

| Ref. No. | Location |
|----------|----------|
| D101 | B-7 |
| D102 | B-8 |
| D103 | B-9 |
| D104 | B-10 |
| D105 | B-11 |
| D106 | B-11 |
| D107 | B-12 |
| D108 | B-13 |
| D109 | B-14 |
| D110 | B-15 |
| D111 | C-8 |
| D115 | B-18 |
| D116 | B-17 |
| D117 | B-17 |
| D118 | E-6 |
| D119 | C-15 |
| D133 | B-15 |
| D134 | B-15 |
| D135 | D-7 |
| D142 | C-5 |
| D143 | E-16 |
| D144 | E-16 |
| D152 | D-19 |
| D153 | D-19 |
| IC101 | D-14 |
| IC103 | D-9 |
| IC106 | C-6 |
| IC107 | D-11 |
| IC108 | C-10 |
| Q101 | C-8 |
| Q103 | D-6 |
| Q104 | C-16 |
| Q105 | C-16 |
| Q106 | B-16 |
| Q107 | B-16 |
| Q108 | B-16 |
| Q111 | D-7 |
| Q112 | C-7 |
| Q113 | B-15 |
| Q114 | B-15 |
| Q115 | B-13 |
| Q116 | B-13 |
| Q117 | B-11 |
| Q118 | B-11 |
| Q119 | B-9 |
| Q120 | B-9 |
| Q121 | B-8 |
| Q122 | B-7 |
| Q123 | D-6 |
| Q124 | D-15 |

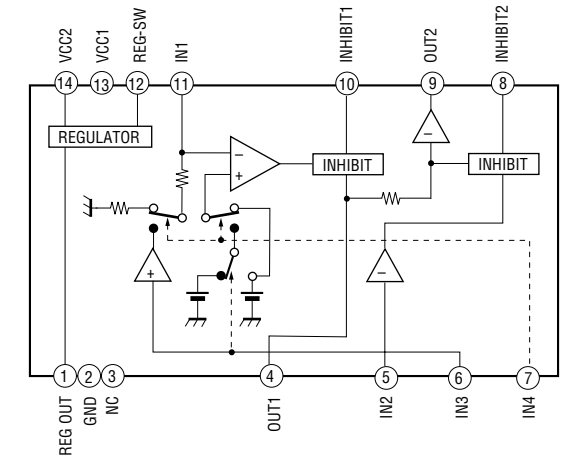
Note :
 • : parts extracted from the component side.
 • : pattern on the side which is seen.
 • Abbreviation
 CND : Canadian
 CH : Chinese

2-15. IC BLOCK DIAGRAMS

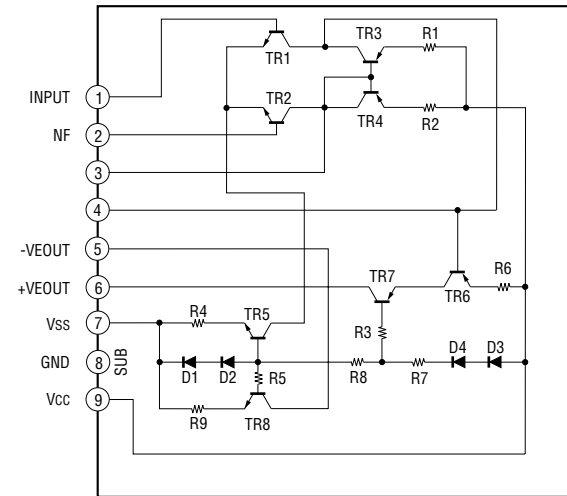
IC106 BA6208



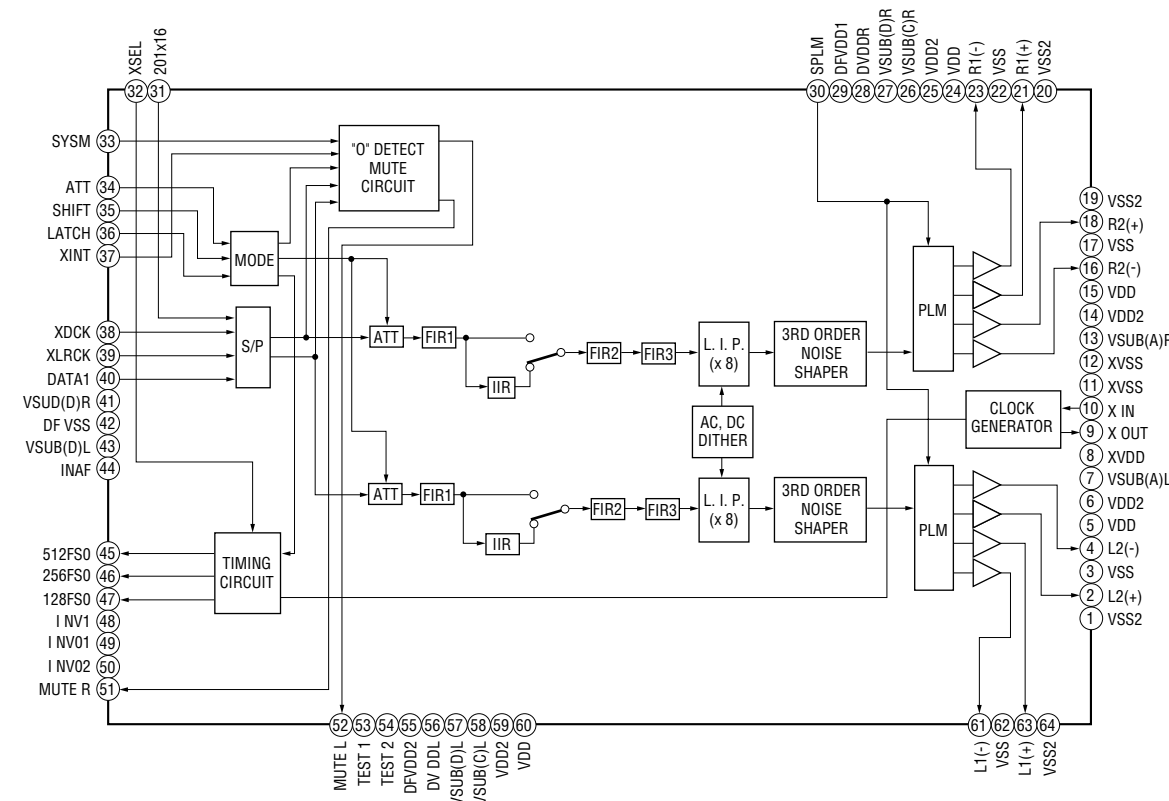
IC223 NJM2129D



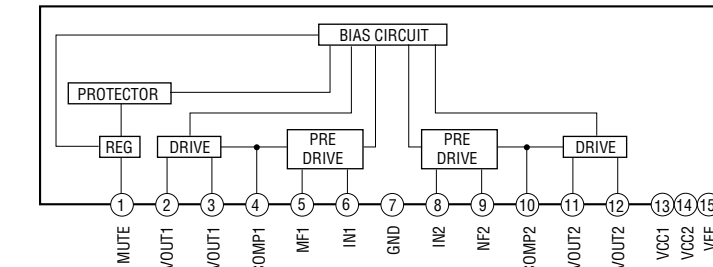
IC601 STK350-230



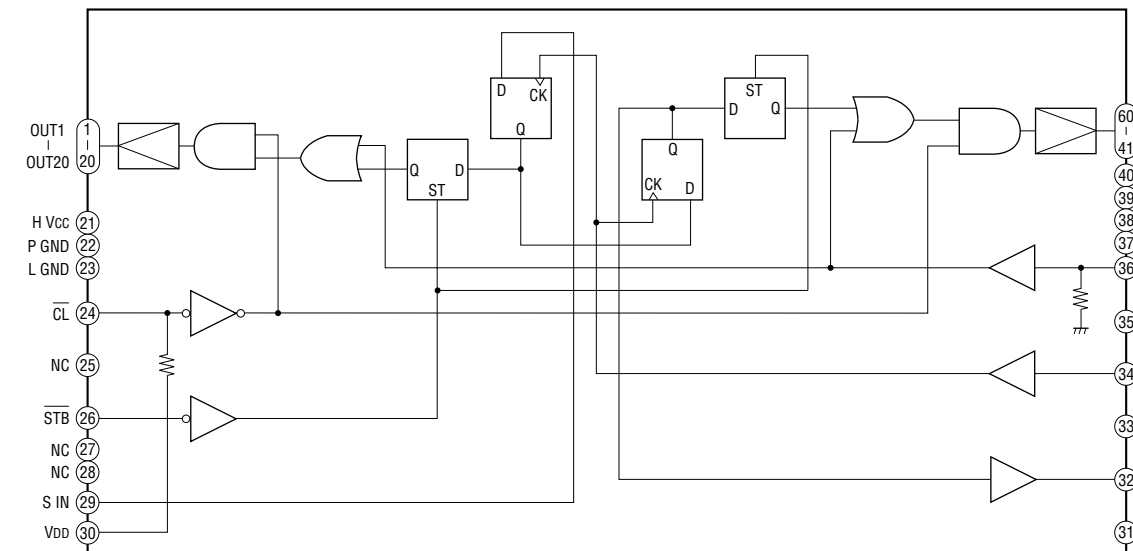
IC3401, 3402, 3403 CXD8505BQ



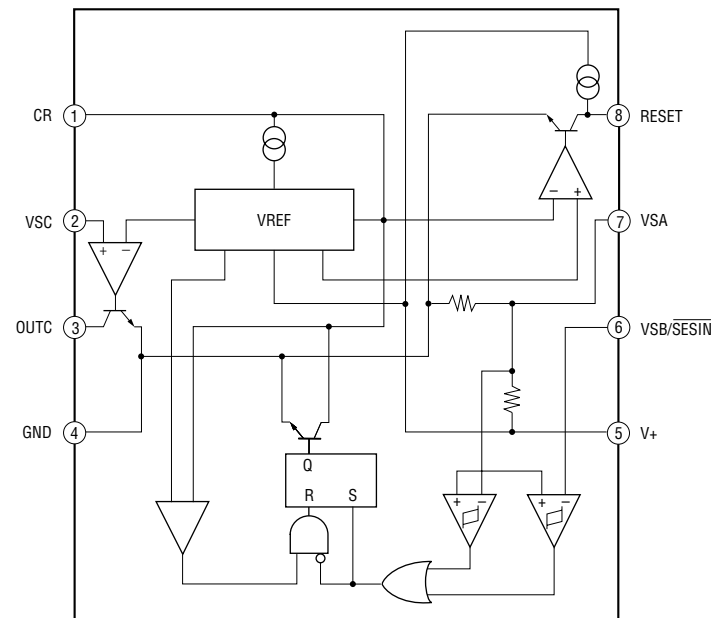
IC501, 701 uPC2581V



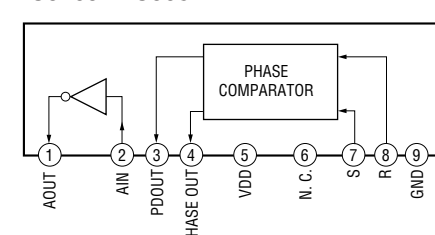
IC107 TD62C950RF



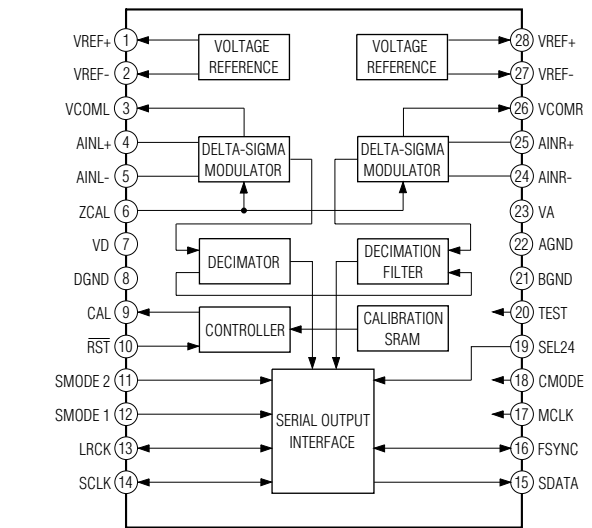
IC901 NJM2103D



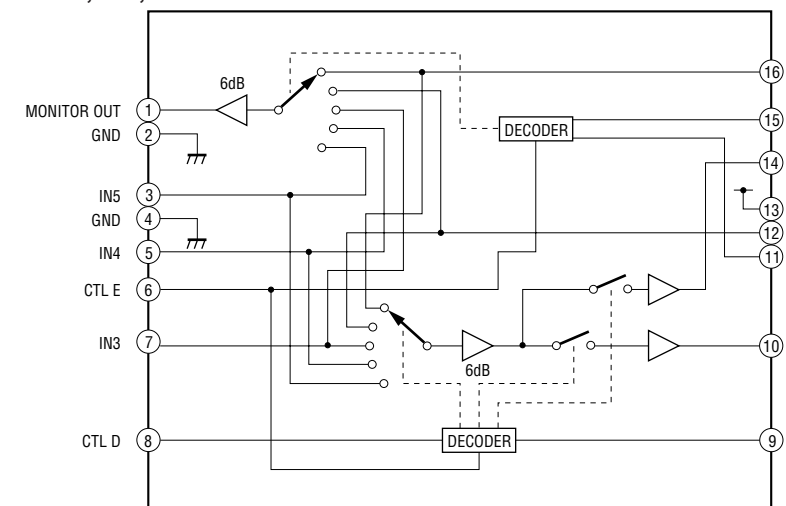
IC3409 TC5081AP



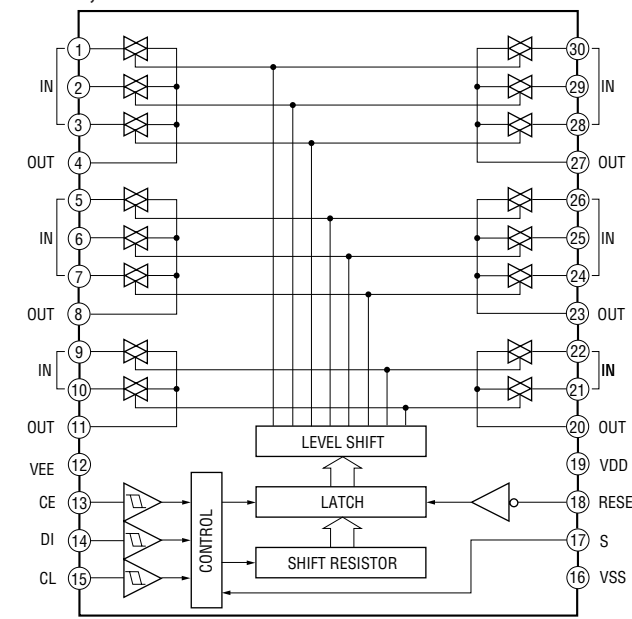
IC3104 CXD8681M-TP



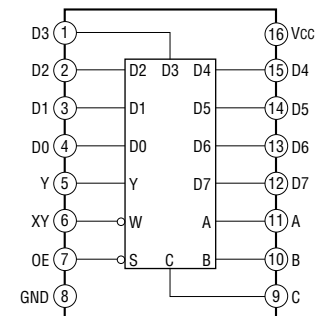
IC203, 204, 211 SN761200



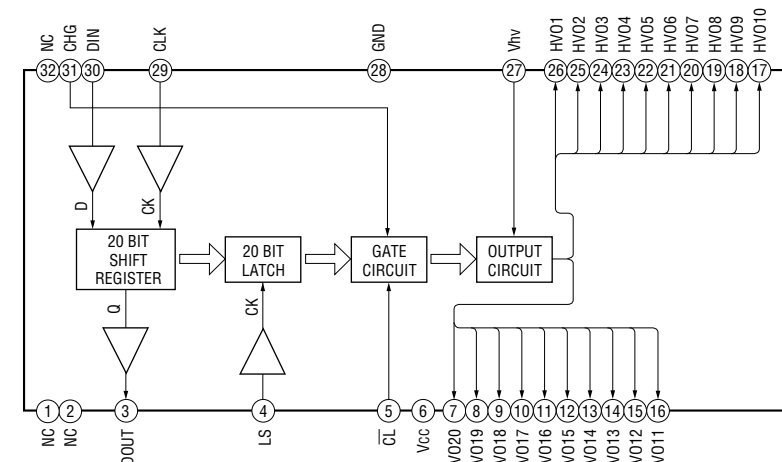
IC301, 303 LC7822



IC3313 TC74HC151AF-TP1



IC108 MSC1164GS-K



2-16. IC PIN FUNCTION

• IC103 MB90673PF-G-206-BND (MODE CONTROL)

| Pin No. | Pin Name | I/O | Description |
|---------|------------------|-----|---|
| 1 | MBUS-V2 | I | M-BUS (VIDEO2) input. |
| 2 | MBUS-MON | I | M-BUS (MONITOR) input. |
| 3 | STATUS-OUT | O | M-BUS status output. |
| 4 | N.C. | — | Not used. |
| 5 | N.C. | — | Not used. |
| 6 | N.C. | — | Not used. |
| 7 | LED-STBY | O | LED output (STANDBY). |
| 8 | LED-SURR | O | LED output (DPC: SUR). |
| 9 | LED-TONE | O | LED output (DPC: EQ). |
| 10 | LED-INDEXT | O | LED output (DPC: INDEX). |
| 11 | V _{SS} | — | Ground. |
| 12 | LED-CD | O | LED output (CD). |
| 13 | LED-DAT/MC | O | LED output (DAT/MD). |
| 14 | LED-TAPE | O | LED output (TAPE). |
| 15 | LED-TV | O | LED output (TV). |
| 16 | LED-LD | O | LED output (LD). |
| 17 | LED-V3 | O | LED output (VIDEO3). |
| 18 | LED-V2 | O | LED output (VIDEO2). |
| 19 | LED-V1 | O | LED output (VIDEO1). |
| 20 | RX | — | Not used. |
| 21 | TX | — | Not used. |
| 22 | BUSY | — | Not used. |
| 23 | FLCLR | O | FL clear output (FL tube). |
| 24 | FLDAT | O | FL data output (FL tube). |
| 25 | FLCLK | O | FL clock output (FL tube). |
| 26 | FLLAT | O | FL latch output (FL tube). |
| 27 | SIRCS | I | SIRCS remote control signal input. |
| 28 | AV _{CC} | — | 5V.(Backup power supply) |
| 29 | AVR + | — | 5V. |
| 30 | AVR - | — | Ground. |
| 31 | AV _{SS} | — | Ground. |
| 32 | ADKIN1 | I | AD KEY input 1 [Open drain] |
| 33 | ADKIN2 | I | AD KEY input 2 [Open drain] |
| 34 | V _{SS} | — | Ground. |
| 35 | ADKIN3 | I | AD KEY input 3 [Open drain]. |
| 36 | ADKIN4 | I | AD KEY input 4 [Open drain]. |
| 37 | ADKIN5 | I | AD KEY input 5 [Open drain]. |
| 38 | AD-VERSION | I | AD VERSION input [Open drain]. |
| 39 | VOLUP | O | VOLUME UP. |
| 40 | VOLDOWN | O | VOLUME DOWN. |
| 41 | MD0 | I | Mode setting, High (Backup power supply). |
| 42 | MD1 | I | Mode setting, High (Backup power supply). |
| 43 | MD2 | I | Mode setting, Low. |
| 44 | STANDBY | I | STOP input. |
| 45 | STOP | I | Hardware standby, High. |
| 46 | U-RESET | O | Reset signal. (Control microprocessor). |
| 47 | U-SREQ | I | Salve request & data. (Control microprocessor). |
| 48 | U-MREQ | O | Master request. (Control microprocessor). |
| 49 | U-DATA | O | Master data. (Control microprocessor). |
| 50 | U-CLOCK | O | Master clock. (Control microprocessor). |

| Pin No. | Label Name | I/O | Description |
|---------|--------------|-----|-----------------------------|
| 51 | GND | — | L: HiFi, H: ES. |
| 52 | AUBUS IN | I | Control-A1. |
| 53 | AUBUS OUT | O | Control-A1. |
| 54 | GND | — | Ground. |
| 55 | EN-FNC.B | I | Encoder input (Function-B). |
| 56 | EN-FNC.A | I | Encoder input (Function-A). |
| 57 | UP/DOWN-B | — | Not used. |
| 58 | UP/DOWN-A | — | Not used. |
| 59 | LEFT/RIGHT-B | — | Not used. |
| 60 | LEFT/RIGHT-A | — | Not used. |
| 61 | GND | — | Ground. |
| 62 | RESET | I | Reset. |
| 63 | Vss | — | Ground. |
| 64 | X0 | O | Ceramic oscillator, 4 MHz. |
| 65 | X1 | I | Ceramic oscillator, 4 MHz. |
| 66 | Vcc | — | 5V (Backup power supply). |
| 67 | LED- TUNER | O | LED output (TUNER). |
| 68 | LED-PHONO | O | LED output (PHONO). |
| 69 | LED-MUTE | O | LED output (MUTE). |
| 70 | LED-LEARN | O | LED output (IR-LEARN). |
| 71 | LED-DIRECT | O | LED output (DIRECT PASS). |
| 72 | LED-INPUT | O | LED output (DISCRETE). |
| 73 | LED-VOL | O | LED output (VOLUME). |
| 74 | LED-BASSB | O | LED output (BASS BOOST). |
| 75 | SP-A | I | SPEAKER A signal input. |
| 76 | SP-B | I | SPEAKER B signal input. |
| 77 | PW-SW | I | POWER key input. |
| 78 | LED-TV (V) | O | LED output (TV) for video. |
| 79 | LED-LD (V) | O | LED output (LD) for video. |
| 80 | MBUS-V1 | I | M-BUS (VIDEO 1) input. |

• IC3413 MB90641APF-G-104BND (SYSTEM CONTROL)

| Pin No. | Pin Name | I/O | Description |
|---------|-----------------|-----|------------------------------|
| 1 | RF-ERR | I | RF demodulator error signal. |
| 2 | RF-RESET | O | RR demodulator reset. |
| 3 | STOP | I | Stop in. |
| 4 | RDATA | I | DIR LC8905V data. |
| 5 | WDATA | O | DIR LC8905V write data. |
| 6 | DIRLAT | O | DIR LC8905V latch. |
| 7 | DIRCLK | O | DIR LC8905V clock. |
| 8 | DIRERR | I | DIR LC8905V error. |
| 9 | ANA/DIG | O | Analog/Digital. |
| 10 | A/DINT | O | A/D Converter AK5390 init. |
| 11 | V _{ss} | — | Ground. |
| 12 | HREQ | I | DSP56009 SHI HREQ. |
| 13 | SS | O | DSP56009 SHI SS. |
| 14 | MOSI | O | DSP56009 SHI MOSI. |
| 15 | RESET | O | DSP56009 SHI reset. |
| 16 | MISO | I | DSP56009 SHI MISO. |
| 17 | CLOCK | O | DSP56009 SHI clock. |
| 18 | HREQ | I | DSP56009 SHI HREQ. |
| 19 | SS | O | DSP56009 SHI SS. |
| 20 | MOSI | O | DSP56009 SHI MOSI. |
| 21 | RESET | O | DSP56009 SHI reset. |
| 22 | MISO | I | DSP56009 SHI MISO. |
| 23 | V _{cc} | — | +5V. |
| 24 | CLOCK | O | DSP56009 SHI clock. |
| 25 | D/AINT | O | DF+DA CX8505BQ init. |
| 26 | D/ALAT | O | DF+DA CX8505BQ latch. |
| 27 | C | — | Connect to capacitor. |
| 28 | D/ACLK | O | DF+DA CX8505BQ clock. |
| 29 | D/ADATA | O | DF+DA CX8505BQ data. |
| 30 | N.C | — | Not used. |
| 31 | N.C | — | Not used. |
| 32 | N.C | — | Not used. |
| 33 | N.C | — | Not used. |
| 34 | V _{cc} | — | +5V. |
| 35 | V _{cc} | — | +5V. |
| 36 | V _{ss} | — | Ground. |
| 37 | V _{ss} | — | Ground. |
| 38 | LOW-FRQ-IED | I | Low frequency signal. |
| 39 | GAIN-FRONT-8DB | O | Front out +8db. |
| 40 | GAIN-FRONT-4DB | O | Front out +4db. |
| 41 | GAIN-FRONT-2DB | O | Front out +2db. |
| 42 | V _{ss} | — | Ground. |
| 43 | N.C | — | Not used. |
| 44 | N.C | — | Not used. |
| 45 | N.C | — | Not used. |
| 46 | N.C | — | Not used. |
| 47 | N.C | — | Not used. |
| 48 | STOP | I | Power check. |
| 49 | MD0 | I | Mode setting, HIGH. |
| 50 | MD1 | I | Mode setting, HIGH. |

| Pin No. | Pin Name | I/O | Description |
|---------|----------------|-----|-------------------------|
| 51 | MD2 | I | Mode setting, LOW. |
| 52 | STANDBY | I | Standby swtch. |
| 53 | N.C | — | Not used. |
| 54 | DISPMR | I | display master request. |
| 55 | DISPDATA | I | display data. |
| 56 | SLVDATA/REQ | O | Slave Data/Request. |
| 57 | DISPCLK | I | Display clock. |
| 58 | LAT | O | LC latch. |
| 59 | DATA | O | LC data. |
| 60 | CLK | O | LC clock. |
| 61 | DATA IN | I | PLL data. |
| 62 | AU STOP | I | PLL auto stop. |
| 63 | STEREO | I | PLL stereo. |
| 64 | N.C | — | Not used. |
| 65 | N.C | — | Not used. |
| 66 | HIFI/ES | I | Hifi/ES select. |
| 67 | PROTEC | I | Protector. |
| 68 | VIDE-A | O | Video select A. |
| 69 | VIDE-B | O | Video select B. |
| 70 | VIDE-E | O | Video select E. |
| 71 | VIDEO-INH | O | Video output inhibit. |
| 72 | FUN-MUTE | O | Function mute. |
| 73 | TUNER-MUTE | O | Tuner mute. |
| 74 | SURR-MUTE | O | Surround mute. |
| 75 | AC-MUTE | O | All mute. |
| 76 | RM-MUTE | O | “-20db” mute. |
| 77 | RESET | I | Reset. |
| 78 | RY-FRONT/A | O | Front speakers B relay. |
| 79 | RY-FRONT/B | O | Front speakers A relay. |
| 80 | RY FRONT | O | Front speakers relay. |
| 81 | Vss | — | Ground. |
| 82 | X IN | I | 4MHz OSC out. |
| 83 | X OUT | O | 4MHz OSC in. |
| 84 | Vcc | — | +5V. |
| 85 | RY-PRE AMP | O | Pre amplifier relay. |
| 86 | RY-CENTER | O | Center speaker relay. |
| 87 | RY-REAR | O | Rear speaker relay. |
| 88 | RY-HP | O | Headphone relay. |
| 89 | RY-4/8 | O | Speaker 4/8 relay. |
| 90 | RY-POWER | O | Power relay. |
| 91 | N.C | — | Not used. |
| 92 | N.C | — | Not used. |
| 93 | N.C | — | Not used. |
| 94 | RY-DIRECT-PASS | O | Direct pass. |
| 95 | N.C | — | Not used. |
| 96 | N.C | — | Not used. |
| 97 | N.C | — | Not used. |
| 98 | DIG-IN2 | O | Digital input select 2. |
| 99 | DIG-IN1 | O | Digital input select 1. |
| 100 | DIG-IN0 | O | Digital input select 0. |

• IC3308 DOLBY AC-3 demodulator (SN-PM4007A)

| Pin No. | Pin Name | I/O | Description |
|---------|----------|-----|---|
| 1 | GND | — | Ground |
| 2 | VDD | — | +5V power supply |
| 3 | RESET | I | System reset input “L” : reset |
| 4 | OSCON | I | Oscillation control signal input “H” : ON |
| 5 | DATA | I | Test pin (Connected to ground) |
| 6 | MCK | I | Test pin (Connected to ground) |
| 7 | MLTB | I | Test pin (Connected to ground) |
| 8 | IDST | O | Test pin (Open) |
| 9 | IDCK | O | Test pin (Open) |
| 10 | IDO | O | Test pin (Open) |
| 11 | TM0 | I | Test pin (Connected to ground) |
| 12 | ECCK | O | Test pin (Open) |
| 13 | DEN | O | Test pin (Open) |
| 14 | DRY | O | Test pin (Open) |
| 15 | MSYC | O | Test pin (Open) |
| 16 | TM1 | I | Test pin (Connected to ground) |
| 17 | A0 | O | Address data output to SRAM |
| 18 | A1 | O | Address data output to SRAM |
| 19 | A2 | O | Address data output to SRAM |
| 20 | A3 | O | Address data output to SRAM |
| 21 | A4 | O | Address data output to SRAM |
| 22 | A5 | O | Address data output to SRAM |
| 23 | TM2 | I | Test pin (Connected to ground) |
| 24 | TM3 | I | Test pin (Connected to ground) |
| 25 | XOUT | O | Test pin (Open) |
| 26 | XIN | I | Test pin (Connected to ground) |
| 27 | XENT | I | Test pin (Connected to ground) |
| 28 | GND | — | Ground |
| 29 | VDD | — | +5V power supply |
| 30 | A6 | O | Address data output to SRAM |
| 31 | A7 | O | Address data output to SRAM |
| 32 | GND | — | Ground |
| 33 | VDD | — | +5V power supply |
| 34 | A12 | O | Address data output to SRAM |
| 35 | A14 | O | Address data output to SRAM |
| 36 | WE | O | Write enable signal output to SRAM “L” : active |
| 37 | A13 | O | Address data output to SRAM |
| 38 | A8 | O | Address data output to SRAM |
| 39 | A9 | O | Address data output to SRAM |
| 40 | GND | — | Ground |
| 41 | A11 | O | Address data output to SRAM |
| 42 | OE | O | Output enable output to SRAM |
| 43 | A10 | O | Address data output to SRAM |
| 44 | D7 | I/O | Data bus input/output with SRAM |
| 45 | D6 | I/O | Data bus input/output with SRAM |
| 46 | D5 | I/O | Data bus input/output with SRAM |
| 47 | D4 | I/O | Data bus input/output with SRAM |
| 48 | D3 | I/O | Data bus input/output with SRAM |
| 49 | D2 | I/O | Data bus input/output with SRAM |
| 50 | D1 | I/O | Data bus input/output with SRAM |

| Pin No. | Pin Name | I/O | Description |
|---------|----------|-----|---|
| 51 | D0 | I/O | Data bus input/output with SRAM |
| 52 | VDD | — | +5V power supply |
| 53 | GND | — | Ground |
| 54 | TI1 | I | Test pin (Connected to VDD) |
| 55 | VIN | I | VCXO input (18.432MHz) |
| 56 | VOUT | O | VCXO output (18.432MHz) |
| 57 | TI2 | I | Test pin (Connected to Ground) |
| 58 | TI3 | I | Test pin (Connected to Ground) |
| 59 | TLD8 | I | Test pin (Connected to Ground) |
| 60 | TCK | I | Test pin (Connected to Ground) |
| 61 | TRP | O | Test pin (Open) |
| 62 | TD0 | O | Test pin (Open) |
| 63 | PD0 | O | Output of internal phase comparator (3 state) |
| 64 | TI4 | I | Test pin (Connected to Ground) |
| 65 | PDDIS | I | PDO output control input "L" : output ON |
| 66 | MUTO | O | Mute signal output "H" : mute |
| 67 | TI5 | I | Test pin (Connected to Ground) |
| 68 | VLDY | O | Test pin (Open) |
| 69 | DASYO | O | Test pin (Open) |
| 70 | DAOUT | O | Digital-out signal output (Serial data stream output) |
| 71 | DAIN | I | Digital external input Through out to DAOUT when DASEL is "H" (Not used) |
| 72 | DASEL | I | Digital-out selection input (Not used) |
| 73 | TI8 | I | Test pin (Connected to Ground) |
| 74 | C2F1 | O | C2 error correction state display Outputs if corrected properly (Not used) |
| 75 | C2F0 | O | C2 error correction state display Outputs number of errors at C2 (Not used) |
| 76 | C1F1 | O | C2 error correction state display Outputs whether error is present at C1 (Not used) |
| 77 | C1F0 | O | C2 error correction state display Outputs number of errors at C1 (Not used) |
| 78 | MUTI | I | Muting input "H" mute |
| 79 | VDD | — | +5V power supply |
| 80 | GND | — | Ground |
| 81 | AVDD | — | +5V power supply (Analog) |
| 82 | CPIN | I | Comparator input (+) (QPSK input) |
| 83 | CMIN | I | Comparator input (-) |
| 84 | AGND | — | Ground (Analog) |
| 85 | TM4 | I | Test pin (Connected to ground) |
| 86 | VDD | — | +5V power supply |
| 87 | DIN | I | Test pin (Connected to ground) |
| 88 | DOUT | O | Compare output |
| 89 | DOUTB | O | Compare inverted output |
| 90 | C9M | O | 9.216MHz output (Open) |
| 91 | GND | — | Ground |
| 92 | WINGT | O | Test pin (Connected to ground) |
| 93 | SYST0 | O | Test pin (Connected to ground) |
| 94 | SYST1 | O | Test pin (Connected to ground) |
| 95 | ADST0 | O | Test pin (Connected to ground) |
| 96 | ADST1 | O | Test pin (Connected to ground) |
| 97 | TM5 | I | Test pin (Open) |
| 98 | BUNRI | I | Test pin (Open) |
| 99 | AGND | — | Ground (Analog) |
| 100 | AVDD | — | +5V power supply (Analog) |

• IC3311 Digital Audio Interface Receiver (CXD8521M)

| Pin No. | Pin Name | I/O | Description |
|---------|----------|-----|---|
| 1 | DIN1 | I | Data input with built-in amplifier (Responding to the coaxial optical module) |
| 2 | DIN2 | I | Data input (Responding to the optical module) |
| 3 | E/DOUT | O | Emphasis, input bi-phase, validity flag output |
| 4 | VDD | — | Power supply (+5V) |
| 5 | R | I | VCO gain control input (Fixed at "H") |
| 6 | VIN | I | VCO freerunning frequency setting input |
| 7 | VCO | O | LPF setting of PLL (Fixed at "L") |
| 8 | GND | — | Ground |
| 9 | CKSEL | I | System clock select input (384fs, 512fs) (Connected to the power supply.) |
| 10 | XMODE | I | Reset input |
| 11 | AVOCK | I | Clock input for preventing PLL lock failure |
| 12 | TST1 | I | Test input (Normally "L") |
| 13 | TST2 | I | |
| 14 | SCLK | I | Microcomputer IF clock input |
| 15 | XLAT | I | Microcomputer IF latch/chip enable input |
| 16 | SWDT | I | Microcomputer IF write data input |
| 17 | SRDT | O | Microcomputer IF read data output |
| 18 | DQSY | O | Microcomputer IF Sub-Q sync and ID sync output (Not used) |
| 19 | CKOUT | O | VCO clock output (Freerunning, 384fs, 512fs) (Not used) |
| 20 | FS128 | O | 128fs clock output (Not used) |
| 21 | BCK | O | Bit clock output |
| 22 | LRCK | O | L/R clock output |
| 23 | DATAO | O | Audio data output |
| 24 | EROR | O | PLL lock error mute output |

• IC3410 Digital Signal Processor (DSP56009FJ88F)

| Pin No. | Pin Name | I/O | Description |
|---------|----------|-----|--|
| 1 | AGND | — | Address buffer ground |
| 2 | MCS0 | O | Chip select 0 output to S-RAM (Not used) |
| 3 | MCS3 | O | Chip select 3 output to S-RAM (Not used) |
| 4 | MA14 | O | Address data output to S-RAM (Not used) |
| 5 | MA13 | O | |
| 6 | AVCC | — | Address bus buffer power supply (+5V) |
| 7 | MA12 | O | Address data output to S-RAM(Not used) |
| 8 | AGND | — | Ground for address bus buffer |
| 9 | QVCC | — | Power supply for internal logic (+5V) |
| 10 | QGND | — | Ground for internal logic |
| 11 | MA11 | O | Address data output to S-RAM (Not used) |
| 12 | MA10 | O | |
| 13 | MA9 | O | |
| 14 | MA8 | O | |
| 15 | AGND | — | Ground for address bus buffer |
| 16 | MA7 | O | Address data output to S-RAM (Not used) |
| 17 | AVCC | — | Power supply for address bus buffer (+5V) |
| 18 | MA6 | O | Address data output to S-RAM (Not used) |
| 19 | MA5 | O | |
| 20 | MA4 | O | |
| 21 | AGND | — | Ground for address bus buffer |
| 22 | MA3 | O | Address data output to S-RAM (Not used) |
| 23 | MA2 | O | |
| 24 | MA1 | O | |
| 25 | MA0 | O | |
| 26 | SCK | I | SPI serial clock signal input from system controller |
| 27 | EXTAL | I | External frequency input (3 MHz) |
| 28 | QVCC | — | Power supply for internal logic (+5V) |
| 29 | QGND | — | Ground for internal logic |
| 30 | PINIT | I | PLL initialize input (Fixed at “L”) |
| 31 | PGND | — | Ground for PLL |
| 32 | PCAP | I | PLL filter input (Connected to 0.01 μ F capacitor) |
| 33 | PVCC | — | Power supply for PLL (+5V) |
| 34 | SGND | — | Ground for serial port |
| 35 | MISO | I | Master data signal input from system controller |
| 36 | RESET | I | Reset signal input from system controller |
| 37 | MODA | I | Mode select A (Fixed at “H”) |
| 38 | MODB | I | Mode select B (Fixed at “L”) |
| 39 | MODC | I | Mode select C (Fixed at “H”) |
| 40 | SVCC | — | Power supply for serial port (+5V) |

| Pin No. | Pin Name | I/O | Description |
|---------|----------|-----|---|
| 41 | MOSI | O | Master data signal output to system controller |
| 42 | SS | I | SPI slave select signal input from system controller |
| 43 | HREQ | I | Host request signal input from system controller |
| 44 | SGND | — | Ground for serial port |
| 45 | SDO2 | O | Audio serial data 2 signal output (Not used) |
| 46 | SDO1 | O | Audio serial data 1 signal output |
| 47 | SDO0 | O | Audio serial data 0 signal output |
| 48 | SVCC | — | Power supply for serial port (+5V) |
| 49 | SCKT | O | Serial clock transmission |
| 50 | WST | O | Word select transmission |
| 51 | SCKR | I | Serial clock reception |
| 52 | QGND | — | Ground for internal logic |
| 53 | QVCC | — | Power supply for internal logic (+5V) |
| 54 | SGND | — | Ground for serial port |
| 55 | WSR | I | Word select reception |
| 56 | SDI1 | I | Audio serial data 1 signal input |
| 57 | SDI0 | I | Audio serial data 0 signal input |
| 58 | DSO | O | Debug serial signal output (Not used) |
| 59 | DSI | I | Debug serial signal input (Not used) |
| 60 | DSCK | I | Debug serial clock signal input (Not used) |
| 61 | DR | I | Debug request input (Fixed at "H") |
| 62 | MD7 | I/O | Data input/output with S-RAM (Not used) |
| 63 | MD6 | I/O | |
| 64 | MD5 | I/O | |
| 65 | MD4 | I/O | |
| 66 | DGND | — | Ground for data bus buffer |
| 67 | MD3 | I/O | Data input/output with S-RAM (Not used) |
| 68 | MD2 | I/O | |
| 69 | MD1 | I/O | |
| 70 | DVCC | — | Power supply for data bus buffer (+5V) |
| 71 | MD0 | I/O | Data input/output with S-RAM (Not used) |
| 72 | DGND | — | Ground for data bus buffer |
| 73 | GPIO3 | I/O | General DSP input/output (Not used) |
| 74 | GPIO2 | I/O | |
| 75 | GPIO1 | I/O | |
| 76 | GPIO0 | I/O | |
| 77 | MRD | O | Write strobe signal output to S-RAM (Not used) |
| 78 | MWR | O | Read strobe signal output to S-RAM (Not used) |
| 79 | MRAS | O | Low address strobe signal output to S-RAM (Not used) |
| 80 | MCAS | O | Column address strobe signal output to S-RAM (Not used) |

• IC3412 Digital Signal Processor (SSP424023FJ88)

| Pin No. | Pin Name | I/O | Description |
|---------|----------|-----|--|
| 1 | AGND | — | Address buffer ground |
| 2 | MCS0 | O | Chip select 0 output to S-RAM (Not used) |
| 3 | MCS3 | O | Chip select 3 output to S-RAM |
| 4 | MA14 | O | Address data output to S-RAM |
| 5 | MA13 | O | |
| 6 | AVCC | — | Address bus buffer power supply (+5V) |
| 7 | MA12 | O | Address data output to S-RAM |
| 8 | AGND | — | Ground for address bus buffer |
| 9 | QVCC | — | Power supply for internal logic (+5V) |
| 10 | QGND | — | Ground for internal logic |
| 11 | MA11 | O | Address data output to S-RAM |
| 12 | MA10 | O | |
| 13 | MA9 | O | |
| 14 | MA8 | O | |
| 15 | AGND | — | Ground for address bus buffer |
| 16 | MA7 | O | Address data output to S-RAM |
| 17 | AVCC | — | Power supply for address bus buffer (+5V) |
| 18 | MA6 | O | Address data output to S-RAM |
| 19 | MA5 | O | |
| 20 | MA4 | O | |
| 21 | AGND | — | Ground for address bus buffer |
| 22 | MA3 | O | Address data output to S-RAM |
| 23 | MA2 | O | |
| 24 | MA1 | O | |
| 25 | MA0 | O | |
| 26 | SCK | I | SPI serial clock signal input from system controller |
| 27 | EXTAL | I | External frequency input (3 MHz) |
| 28 | QVCC | — | Power supply for internal logic (+5V) |
| 29 | QGND | — | Ground for internal logic |
| 30 | PINIT | I | PLL initialize input (Fixed at “L”) |
| 31 | PGND | — | Ground for PLL |
| 32 | PCAP | I | PLL filter input (Connected to 0.01 mF capacitor) |
| 33 | PVCC | — | Power supply for PLL (+5V) |
| 34 | SGND | — | Ground for serial port |
| 35 | MISO | I | Master data signal input from system controller |
| 36 | RESET | I | Reset signal input from system controller |
| 37 | MODA | I | Mode select A (Fixed at “H”) |
| 38 | MODB | I | Mode select B (Fixed at “L”) |
| 39 | MODC | I | Mode select C (Fixed at “H”) |
| 40 | SVCC | — | Power supply for serial port (+5V) |

| Pin No. | Pin Name | I/O | Description |
|---------|----------|-----|--|
| 41 | MOSI | O | Master data signal output to system controller |
| 42 | SS | I | SPI slave select signal input from system controller |
| 43 | HREQ | I | Host request signal input from system controller |
| 44 | SGND | — | Ground for serial port |
| 45 | SDO2 | O | Audio serial data 2 signal output |
| 46 | SDO1 | O | Audio serial data 1 signal output |
| 47 | SDO0 | O | Audio serial data 0 signal output |
| 48 | SVCC | — | Power supply for serial port (+5V) |
| 49 | SCKT | O | Serial clock transmission |
| 50 | WST | O | Word select transmission |
| 51 | SCKR | I | Serial clock reception |
| 52 | QGND | — | Ground for internal logic |
| 53 | QVCC | — | Power supply for internal logic (+5V) |
| 54 | SGND | — | Ground for serial port |
| 55 | WSR | I | Word select reception |
| 56 | SDI1 | I | Audio serial data 1 signal input |
| 57 | SDI0 | I | Audio serial data 0 signal input |
| 58 | DSO | O | Debug serial signal output (Not used) |
| 59 | DSI | I | Debug serial signal input (Not used) |
| 60 | DSCK | I | Debug serial clock signal input (Not used) |
| 61 | DR | I | Debug request input (Fixed at "H") |
| 62 | MD7 | I/O | Data input/output with S-RAM |
| 63 | MD6 | I/O | |
| 64 | MD5 | I/O | |
| 65 | MD4 | I/O | |
| 66 | DGND | — | Ground for data bus buffer |
| 67 | MD3 | I/O | Data input/output with S-RAM |
| 68 | MD2 | I/O | |
| 69 | MD1 | I/O | |
| 70 | DVCC | — | Power supply for data bus buffer (+5V) |
| 71 | MD0 | I/O | Data input/output with S-RAM |
| 72 | DGND | — | Ground for data bus buffer |
| 73 | GPIO3 | I/O | General DSP input/output (Not used) |
| 74 | GPIO2 | I/O | |
| 75 | GPIO1 | I/O | |
| 76 | GPIO0 | I/O | General DSP input/output with system controller |
| 77 | MRD | O | Write strobe signal output to S-RAM |
| 78 | MWR | O | Read strobe signal output to S-RAM |
| 79 | MRAS | O | Low address strobe signal output to S-RAM |
| 80 | MCAS | O | Column address strobe signal output to S-RAM |

SECTION 3 EXPLODED VIEWS

Note:

- -XX, -X mean standardized parts, so they may have some differences from the original one.
- Items marked “*” are not stocked since they are seldom required for routine service. Some delay should be anticipated when ordering these items.
- The mechanical parts with no reference number in the exploded views are not supplied.

- Hardware (# mark) list and accessories and packing materials are given in the last of this parts list.
- Color Indication of Appearance Parts
Example:
KNOB, BALANCE (WHITE) . . . (RED)

↑ ↑
Parts of Color Cabinet's Color

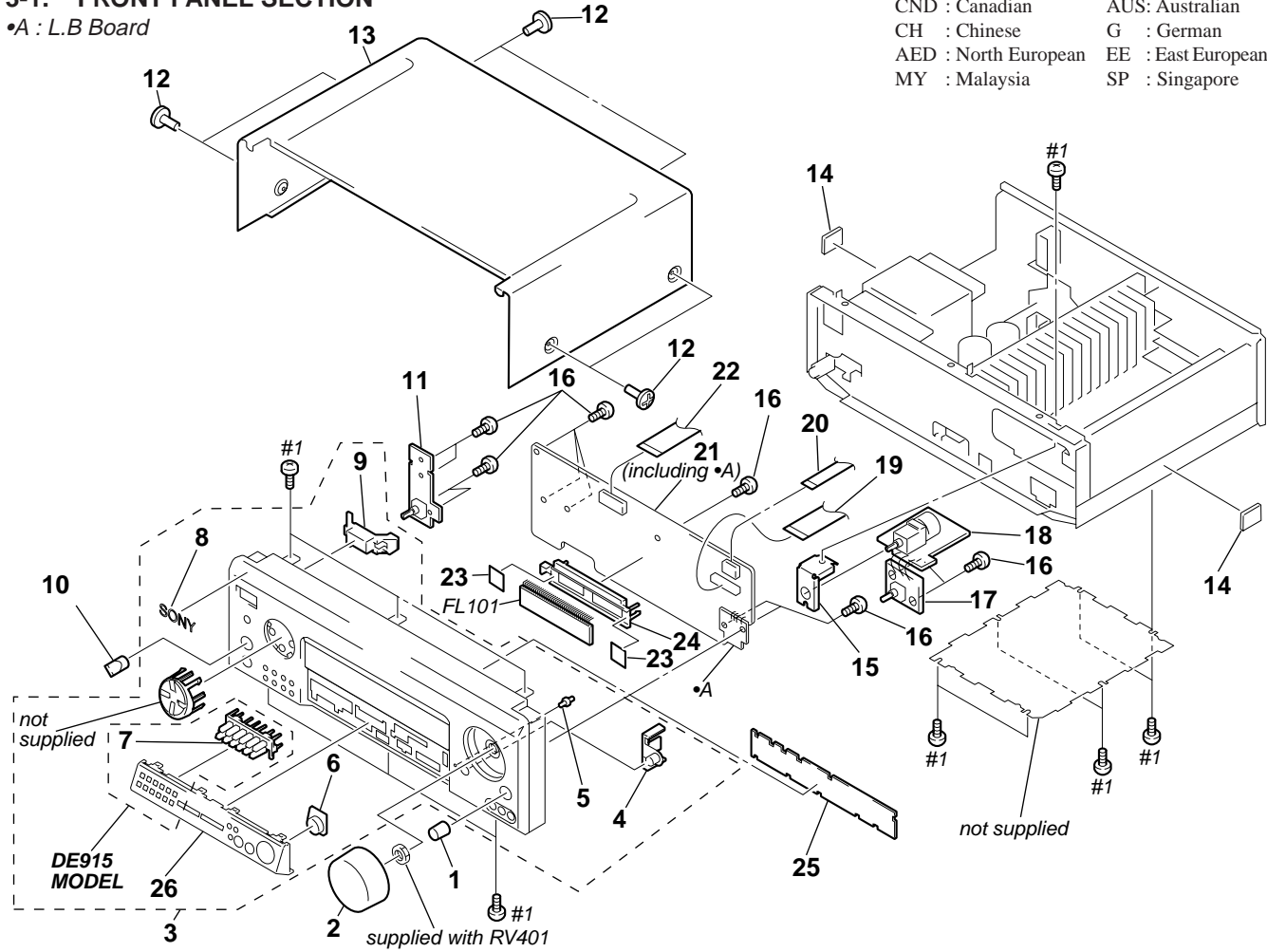
The components identified by mark △ or dotted line with mark △ are critical for safety. Replace only with part number specified.

Les composants identifiés par une marque △ sont critiques pour la sécurité. Ne les remplacer que par une pièce portant le numéro spécifié.

- Abbreviation
CND : Canadian AUS: Australian
CH : Chinese G : German
AED : North European EE : East European
MY : Malaysia SP : Singapore

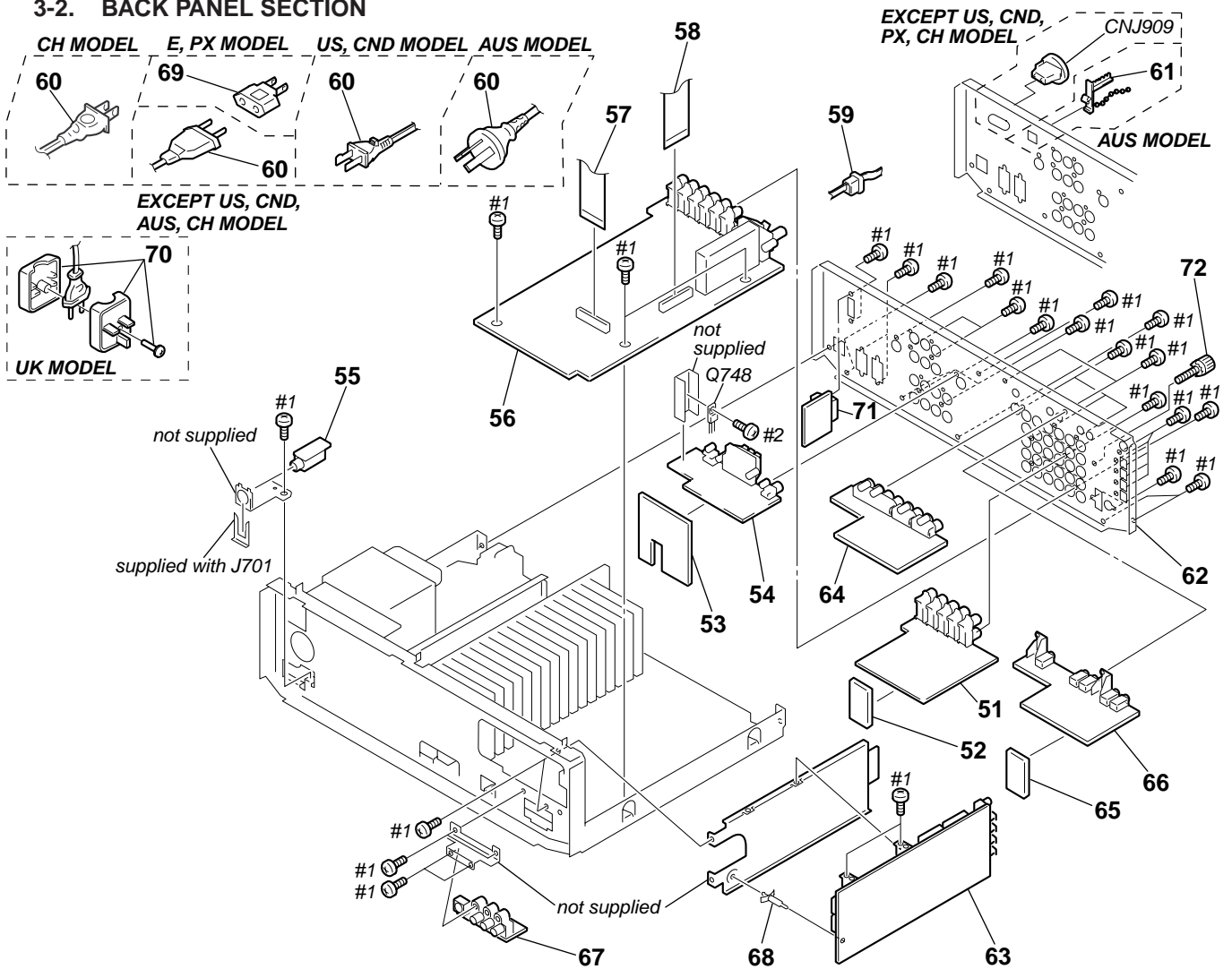
3-1. FRONT PANEL SECTION

•A : L.B Board



| Ref. No. | Part No. | Description | Remarks | Ref. No. | Part No. | Description | Remarks |
|----------|--------------|---|---------|----------|--------------|---|--|
| 1 | 4-980-639-01 | KNOB (R14) (BLACK)(DE915/VE910) | | 12 | 3-704-366-01 | SCREW (CASE) (M3X8)(BLACK)(DE915/VE910) | |
| 1 | 4-980-639-31 | KNOB (R14) (GOLD)(V909) | | 12 | 3-704-366-11 | SCREW (CASE) (M3X8) (GOLD)(V909) | |
| 2 | X-4947-074-1 | KNOB (R48) ASSY (BLACK)(DE915) | | * | 13 | 4-982-682-01 | CASE (414532) (BLACK)(DE915) |
| 2 | X-4948-458-1 | KNOB (ZN) ASSY (BLACK)(VE910) | | 13 | X-4947-722-1 | CASE ASSY (BLACK)(VE910) | |
| 2 | X-4948-464-1 | KNOB (ZN) ASSY (GOLD)(V909) | | 13 | X-4947-723-1 | CASE ASSY (GOLD)(V909) | |
| 3 | X-4948-455-1 | PANEL ASSY, FRONT (BLACK)(DE915:US,CND) | | 14 | 4-985-642-01 | CUSHION | |
| 3 | X-4948-456-1 | PANEL ASSY, FRONT (GOLD)(V909) | | * | 15 | 4-989-878-01 | BRACKET (VOL) |
| 3 | X-4948-463-1 | PANEL ASSY (C9), FRONT (BLACK)(VE910) | | 16 | 4-951-620-01 | SCREW (2.6X8), +BVTP | |
| 3 | X-4948-602-1 | PANEL ASSY, FRONT (BLACK)(DE915:PX) | | * | 17 | 1-665-815-11 | BALANCE BOARD |
| 3 | X-4948-603-1 | PANEL ASSY, FRONT (BLACK)(DE915:AUS) | | * | 18 | 1-665-774-11 | VOLUME BOARD |
| 4 | 4-989-850-01 | BUTTON (BB) (BLACK)(DE915/VE910) | | 19 | 1-773-174-11 | WIRE (FLAT TYPE) (21 CORE)(46cm) | |
| 4 | 4-989-850-11 | BUTTON (BB) (GOLD)(V909) | | 20 | 1-773-057-11 | WIRE (FLAT TYPE) (17 CORE) | |
| 5 | 4-989-842-01 | INDICATOR (BB) | | * | 21 | A-4398-225-A | DISPLAY BOARD, COMPLETE (DE915:US,CND) |
| 6 | 4-989-852-01 | RING (SUR) (BLACK)(DE915/VE910) | | * | 21 | A-4398-246-A | DISPLAY BOARD, COMPLETE (DE915:AUS) |
| 6 | 4-989-852-11 | RING (SUR) (GOLD)(V909) | | * | 21 | A-4398-281-A | DISPLAY BOARD, COMPLETE (DE915:PX) |
| 7 | 4-989-846-01 | BUTTON (12)(BLACK)(DE915) | | * | 21 | A-4398-284-A | DISPLAY BOARD, COMPLETE (V909/VE910) |
| 8 | 3-008-600-11 | EMBLEM (5-AR), SONY (BLACK)(DE915) | | 22 | 1-773-107-11 | WIRE (FLAT TYPE) (19 CORE)(17cm) | |
| 8 | 4-979-587-01 | EMBLEM (NO.5), SONY (BLACK)(VE910) | | * | 23 | 4-921-941-01 | CUSHION (FL) |
| 8 | 4-979-587-11 | EMBLEM (NO.5), SONY (GOLD)(V909) | | * | 24 | 4-990-797-01 | HOLDER (FL) |
| 9 | 4-980-109-01 | BUTTON (P-M) (BLACK)(VE910) | | * | 25 | 1-665-780-11 | SW BOARD |
| 9 | 4-980-109-41 | BUTTON (P-M) (GOLD)(V909) | | 26 | 4-989-864-41 | ESCUTCHEON (COVER)(BLACK)(DE915) | |
| 9 | 4-989-843-01 | BUTTON (P-T) (BLACK)(DE915) | | 26 | 4-991-019-01 | ESCUTCHEON (COVER)(BLACK)(VE910) | |
| 10 | 4-957-383-01 | KNOB (F14) (BLACK)(DE915/VE910) | | 26 | 4-991-019-11 | ESCUTCHEON (COVER)(GOLD)(V909) | |
| 10 | 4-957-383-21 | KNOB (F14) (GOLD)(V909) | | FL101 | 1-517-671-11 | INDICATOR TUBE, FLUORESCENT | |
| * 11 | 1-665-775-11 | SP SW BOARD | | | | | |

3-2. BACK PANEL SECTION

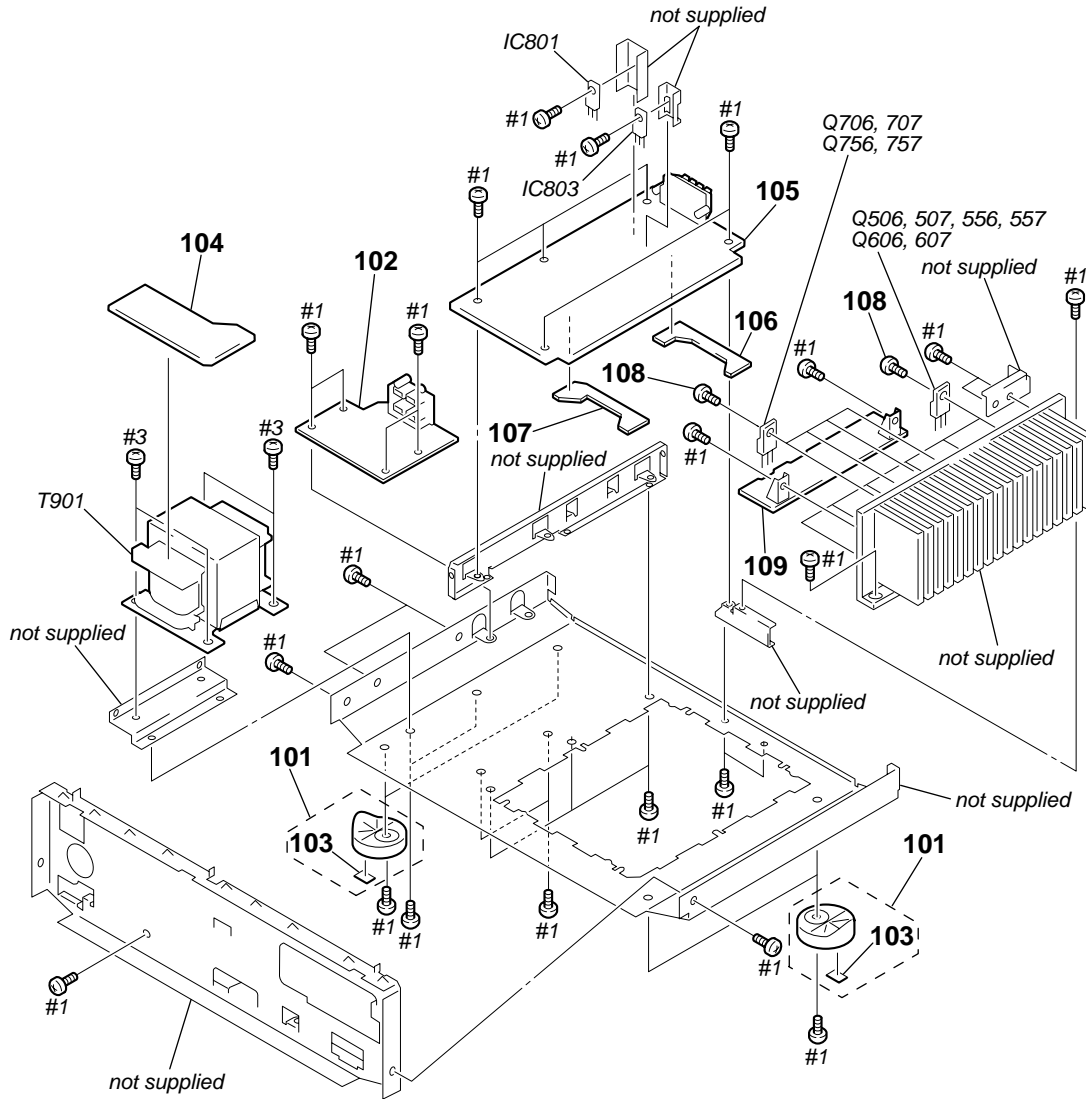


| Ref. No. | Part No. | Description | Remarks | Ref. No. | Part No. | Description | Remarks |
|----------|--------------|------------------------------------|-------------------------|----------|--------------|--|---------|
| * 51 | 1-665-786-11 | AUDIO (2F) BOARD | | * 62 | 4-989-882-01 | PANEL, BACK (VE910:EXCEPT E) | |
| * 52 | 1-665-776-11 | SUR-AUDIO (2F) BOARD | | * 62 | 4-989-882-11 | PANEL, BACK (VE910:E) | |
| * 53 | 1-665-787-11 | S-A-P BOARD | | * 62 | 4-989-882-21 | PANEL, BACK (V909) | |
| * 54 | A-4398-235-A | SP (2F) BOARD, COMPLETE | (VE910:AEP,UK,G,AED,EE) | * 62 | 4-989-885-01 | PANEL, BACK (DE915:US) | |
| * 54 | A-4398-250-A | SP (2F) BOARD, COMPLETE | (DE915:AUS) | * 62 | 4-989-885-11 | PANEL, BACK (DE915:CND) | |
| * 54 | A-4398-262-A | SP (2F) BOARD, COMPLETE | (DE915:US,CND,PX) | * 62 | 4-989-885-21 | PANEL, BACK (DE915:AUS) | |
| * 54 | A-4398-295-A | SP (2F) BOARD, COMPLETE | (V909/VE910:E,SP,MY) | * 62 | 4-989-885-31 | PANEL, BACK (DE915:PX) | |
| * 55 | 1-665-779-11 | HEADPHONE BOARD | | * 63 | A-4398-274-A | DIGITAL BOARD, COMPLETE (DE915) | |
| * 56 | A-4398-236-A | SUR BOARD, COMPLETE | (VE910:AEP,UK,G,AED,EE) | * 63 | A-4403-423-A | DIGITAL BOARD, COMPLETE (V909/VE910) | |
| * 56 | A-4398-266-A | SUR BOARD, COMPLETE | (DE915:US,CND,PX) | * 64 | 1-665-784-11 | VIDEO BOARD | |
| * 56 | A-4398-279-A | SUR BOARD, COMPLETE | (V909/VE910:E,SP,MY) | * 65 | 1-667-185-11 | JOINT (VIDEO) BOARD | |
| * 56 | A-4398-287-A | SUR BOARD, COMPLETE | (DE915:AUS) | * 66 | A-4398-229-A | S VIDEO BOARD, COMPLETE (DE915:US,CND) | |
| 57 | 1-773-116-11 | WIRE (FLAT TYPE) (19 CORE)(23cm) | | * 66 | A-4398-251-A | S VIDEO BOARD, COMPLETE (DE915:AUS,PX) | |
| 58 | 1-773-174-11 | WIRE (FLAT TYPE) (21 CORE)(9cm) | | * 66 | A-4398-285-A | S VIDEO BOARD, COMPLETE (V909/VE910) | |
| * 59 | 3-703-244-00 | BUSHING (2104), CORD | | * 67 | 1-665-777-11 | VIDEO (3) BOARD | |
| △ 60 | 1-696-847-11 | CORD, POWER (AUS) | | * 68 | 4-954-051-41 | HOLDER, PC BOARD | |
| △ 60 | 1-769-743-11 | CORD, POWER (US,CND) | | △ 69 | 1-569-008-11 | ADAPTOR, CONVERSION 2P (E,PX) | |
| △ 60 | 1-769-744-11 | CORD, POWER (EXCEPT US,CND,AUS,CH) | | △ 70 | 1-770-019-11 | ADAPTOR, CONVERSION 3P (UK) | |
| △ 60 | 1-782-464-21 | CORD, POWER (CH) | | * 71 | 1-665-788-11 | VOLSEL BOARD (DE915:PX/VE910:E) | |
| 61 | 4-956-370-12 | BAND, PLUG FIXED (AUS) | | 72 | 4-947-010-01 | SCREW, FEEDER FIXED | |
| | | | | △ CNJ909 | 1-251-416-11 | OUTLET, AC (AUS) | |
| | | | | △ CNJ909 | 1-526-794-11 | OUTLET, AC (EXCEPT US,CND,AUS,PX,CH) | |

The components identified by mark △ or dotted line with mark △ are critical for safety. Replace only with part number specified.

Les composants identifiés par une marque △ sont critiques pour la sécurité. Ne les remplacer que par une pièce portant le numéro spécifié.

3-3. CHASSIS SECTION



| Ref. No. | Part No. | Description | Remarks | Ref. No. | Part No. | Description | Remarks |
|----------|--------------|---|---------|----------|--------------|---|---------|
| 101 | X-4947-025-1 | FOOT ASSY (BLACK)(VE910) | | * 105 | A-4398-288-A | AMP BOARD, COMPLETE (DE915:AUS) | |
| 101 | X-4947-207-1 | FOOT ASSY (F50150S)(BLACK)(DE915:AUS,PX) | | * 106 | 1-665-792-11 | AMP JOINT (B) BOARD | |
| 101 | X-4947-208-1 | FOOT ASSY (F50150S)(BLACK) (DE915:US,CND) | | * 107 | 1-665-791-11 | AMP JOINT (F) BOARD | |
| 101 | X-4948-848-1 | FOOT ASSY (GOLD)(V909) | | 108 | 3-905-609-01 | SCREW (TRANSISTOR) | |
| * 102 | A-4398-249-A | PS BOARD, COMPLETE (DE915:AUS/VE910:AEP,UK,G,AED,EE) | | * 109 | A-4398-234-A | REAR AMP BOARD, COMPLETE (V909/VE910) | |
| * 102 | A-4398-261-A | PS BOARD, COMPLETE (DE915:US,CND) | | * 109 | A-4398-248-A | REAR AMP BOARD, COMPLETE (DE915:AUS) | |
| * 102 | A-4398-278-A | PS BOARD, COMPLETE (V909/VE910:E,SP,MY) | | * 109 | A-4398-258-A | REAR AMP BOARD, COMPLETE (DE915:US,CND,PX) | |
| * 102 | A-4398-282-A | PS BOARD, COMPLETE (DE915:PX) | | △ T901 | 1-431-281-11 | TRANSFORMER, POWER (US) | |
| 103 | 4-977-358-11 | CUSHION (8X12.5) (DE915:US,CND) | | △ T901 | 1-431-282-11 | TRANSFORMER, POWER (CND) | |
| * 104 | 1-665-783-11 | SECONDARY BOARD | | △ T901 | 1-431-283-11 | TRANSFORMER, POWER (AUS) | |
| * 105 | A-4398-230-A | AMP BOARD, COMPLETE (DE915:US,CND,PX) | | △ T901 | 1-431-284-11 | TRANSFORMER, POWER (PX) | |
| * 105 | A-4398-280-A | AMP BOARD, COMPLETE (V909/VE910:E,SP,MY) | | △ T901 | 1-431-285-11 | TRANSFORMER, POWER (E,SP,MY,CH) | |
| * 105 | A-4398-286-A | AMP BOARD, COMPLETE (VE910:AEP,UK,G,AED,EE) | | △ T901 | 1-431-286-11 | TRANSFORMER, POWER (AEP,UK,G,EE,AED) | |

The components identified by mark \triangle or dotted line with mark \triangle are critical for safety. Replace only with part number specified.

Les composants identifiés par une marque \triangle sont critiques pour la sécurité. Ne les remplacer que par une pièce portant le numéro spécifié.

SECTION 4 ELECTRICAL PARTS LIST

AMP

Note:

When indicating parts by reference number, please include the board name.

The components identified by mark Δ or dotted line with mark Δ are critical for safety. Replace only with part number specified.

Les composants identifiés par une marque Δ sont critiques pour la sécurité. Ne les remplacer que par une pièce portant le numéro spécifié.

- Due to standardization, replacements in the parts list may be different from the parts specified in the diagrams or the components used on the set.

- XX, -X mean standardized parts, so they may have some difference from the original one.
- Items marked "*" are not stocked since they are seldom required for routine service. Some delay should be anticipated when ordering these items.
- CAPACITORS:
uF: μ F
- RESISTORS
All resistors are in ohms.
METAL: metal-film resistor
METAL OXIDE: Metal Oxide-film resistor
F: nonflammable

- COILS
uH: μ H
- SEMICONDUCTORS
In each case, u: μ , for example:
uA...: μ A..., uPA..., μ PA...,
uPB..., μ PB..., uPC..., μ PC...,
uPD..., μ PD...
- Abbreviation
CND : Canadian AUS: Australian
CH : Chinese G : German
AED : North European EE : East European
MY : Malaysia SP : Singapore

| Ref. No. | Part No. | Description | Remarks | Ref. No. | Part No. | Description | Remarks |
|----------|--------------|--|---------------------------------|----------|--------------|--------------------------------|---------|
| * | A-4398-230-A | AMP BOARD, COMPLETE (DE915:US,CND,PX) ***** | | | | < CONNECTOR > | |
| * | A-4398-280-A | AMP BOARD, COMPLETE (V909/VE910:E,SP, ***** MY) | | CNP701 | 1-564-320-00 | PIN, CONNECTOR (B2P-VH) 2P | |
| * | A-4398-286-A | AMP BOARD, COMPLETE (VE910:AEP,UK,G, ***** AED,EE) | | CNP702 | 1-695-091-11 | PIN, CONNECTOR (PC BOARD) 15P | |
| * | A-4398-288-A | AMP BOARD, COMPLETE (DE915:AUS) ***** | | CNS502 | 1-770-404-11 | HOUSING,CONNECTOR(PC BOARD)11P | |
| | | | | CNS602 | 1-770-404-11 | HOUSING,CONNECTOR(PC BOARD)11P | |
| | | | | CNS701 | 1-569-323-11 | SOCKET, CONNECTOR 19P | |
| | | | | | | < DIODE > | |
| * | 1-537-738-21 | TERMINAL, EARTH | | D501 | 8-719-987-63 | DIODE 1N4148M | |
| | 7-685-872-09 | SCREW +BVTT 3X8 (S) | | D502 | 8-719-010-06 | DIODE UZ-2.2BS | |
| | | < CAPACITOR > | | D503 | 8-719-010-06 | DIODE UZ-2.2BS | |
| C520 | 1-126-967-11 | ELECT | 47uF 20% 16V | D504 | 8-719-987-63 | DIODE 1N4148M | |
| C521 | 1-107-597-11 | CERAMIC | 22PF 10% 500V | D505 | 8-719-987-63 | DIODE 1N4148M | |
| C522 | 1-107-597-11 | CERAMIC | 22PF 10% 500V | D506 | 8-719-987-63 | DIODE 1N4148M | |
| C523 | 1-162-286-31 | CERAMIC | 220PF 10% 50V | D507 | 8-719-987-63 | DIODE 1N4148M | |
| C524 | 1-126-964-11 | ELECT | 10uF 20% 50V | D508 | 8-719-987-63 | DIODE 1N4148M | |
| C525 | 1-136-157-00 | FILM | 0.022uF 5% 50V | D512 | 8-719-987-63 | DIODE 1N4148M | |
| C526 | 1-136-153-00 | FILM | 0.01uF 5% 50V | D545 | 8-719-987-63 | DIODE 1N4148M | |
| C570 | 1-126-967-11 | ELECT | 47uF 20% 16V | D546 | 8-719-987-63 | DIODE 1N4148M | |
| C571 | 1-107-597-11 | CERAMIC | 22PF 10% 500V | D547 | 8-719-987-63 | DIODE 1N4148M | |
| C572 | 1-107-597-11 | CERAMIC | 22PF 10% 500V | D548 | 8-719-815-85 | DIODE 1S1585 | |
| C573 | 1-162-286-31 | CERAMIC | 220PF 10% 50V | D549 | 8-719-815-85 | DIODE 1S1585 | |
| C574 | 1-126-964-11 | ELECT | 10uF 20% 50V | D551 | 8-719-987-63 | DIODE 1N4148M | |
| C575 | 1-136-157-00 | FILM | 0.022uF 5% 50V | D552 | 8-719-010-06 | DIODE UZ-2.2BS | |
| C576 | 1-136-153-00 | FILM | 0.01uF 5% 50V | D553 | 8-719-010-06 | DIODE UZ-2.2BS | |
| C590 | 1-126-935-11 | ELECT | 470uF 20% 6.3V | D554 | 8-719-987-63 | DIODE 1N4148M | |
| C598 | 1-126-965-11 | ELECT | 22uF 20% 50V | D555 | 8-719-987-63 | DIODE 1N4148M | |
| C620 | 1-126-967-11 | ELECT | 47uF 20% 16V | D556 | 8-719-987-63 | DIODE 1N4148M | |
| C621 | 1-107-597-11 | CERAMIC | 22PF 10% 500V | D601 | 8-719-987-63 | DIODE 1N4148M | |
| C622 | 1-107-597-11 | CERAMIC | 22PF 10% 500V | D602 | 8-719-010-06 | DIODE UZ-2.2BS | |
| C623 | 1-162-286-31 | CERAMIC | 220PF 10% 50V | D603 | 8-719-010-06 | DIODE UZ-2.2BS | |
| C803 | 1-117-950-11 | ELECT(SOLID) | 10000uF 20% 63V (V909/VE910) | D604 | 8-719-987-63 | DIODE 1N4148M | |
| C803 | 1-109-932-11 | ELECT | 10000uF 20% 71V (DE915) | D608 | 8-719-987-63 | DIODE 1N4148M | |
| C804 | 1-117-950-11 | ELECT(SOLID) | 10000uF 20% 63V (V909/VE910) | D611 | 8-719-987-63 | DIODE 1N4148M | |
| C804 | 1-109-932-11 | ELECT | 10000uF 20% 71V (DE915) | D647 | 8-719-987-63 | DIODE 1N4148M (DE915) | |
| C807 | 1-126-967-11 | ELECT | 47uF 20% 16V | D648 | 8-719-987-63 | DIODE 1N4148M (DE915) | |
| C808 | 1-126-967-11 | ELECT | 47uF 20% 16V | D651 | 8-719-987-63 | DIODE 1N4148M | |
| C810 | 1-126-967-11 | ELECT | 47uF 20% 16V | D711 | 8-719-987-63 | DIODE 1N4148M | |
| C811 | 1-126-952-11 | ELECT | 1000uF 20% 35V | D716 | 8-719-987-63 | DIODE 1N4148M | |
| C812 | 1-126-951-11 | ELECT | 470uF 20% 35V | D807 | 8-719-002-73 | DIODE UZL-36M | |
| C817 | 1-126-967-11 | ELECT | 47uF 20% 50V | | | < IC > | |
| C818 | 1-126-967-11 | ELECT | 47uF 20% 50V | IC801 | 8-759-391-87 | IC BA78M12P | |
| | | | | IC803 | 8-759-604-45 | IC M5F79M12 | |

| Ref. No. | Part No. | Description | Remarks | Ref. No. | Part No. | Description | Remarks |
|----------|--------------|-------------------------------|-------------------|----------|--------------|----------------------------------|----------------------|
| | | < COIL > | | | | | |
| L501 | 1-411-906-11 | COIL, AIR-CORE (V909/VE910) | | △ R533 | 1-249-393-11 | CARBON 10 | 5% 1/4W F |
| L501 | 1-420-872-00 | COIL, AIR-CORE (DE915) | | △ R534 | 1-249-389-11 | CARBON 4.7 | 5% 1/4W F |
| L551 | 1-411-906-11 | COIL, AIR-CORE (V909/VE910) | | R535 | 1-249-431-11 | CARBON 15K | 5% 1/4W |
| L551 | 1-420-872-00 | COIL, AIR-CORE (DE915) | | R536 | 1-249-439-11 | CARBON 68K | 5% 1/4W (V909/VE910) |
| | | < TRANSISTOR > | | R536 | 1-249-441-11 | CARBON 100K | 5% 1/4W (DE915) |
| Q504 | 8-729-119-76 | TRANSISTOR 2SA1175-HFE | | R539 | 1-249-427-11 | CARBON 6.8K | 5% 1/4W F |
| Q505 | 8-729-209-15 | TRANSISTOR 2SD2012 | | R540 | 1-249-417-11 | CARBON 1K | 5% 1/4W F |
| Q506 | 8-749-010-25 | IC MN2488-OPY-M | | R541 | 1-249-429-11 | CARBON 10K | 5% 1/4W |
| Q507 | 8-749-010-26 | IC MP1620-OPY-M | | R547 | 1-249-425-11 | CARBON 4.7K | 5% 1/4W F |
| Q508 | 8-729-140-82 | TRANSISTOR 2SA988-PAFAEA | | R548 | 1-249-429-11 | CARBON 10K | 5% 1/4W |
| Q509 | 8-729-281-53 | TRANSISTOR 2SC1815-GR | | △ R549 | 1-249-393-11 | CARBON 10 | 5% 1/4W F |
| Q510 | 8-729-900-63 | TRANSISTOR DTA124ES | | R550 | 1-249-429-11 | CARBON 10K | 5% 1/4W |
| Q511 | 8-729-900-63 | TRANSISTOR DTA124ES | | R571 | 1-249-437-11 | CARBON 47K | 5% 1/4W (DE915) |
| Q546 | 8-729-119-79 | TRANSISTOR 2SC2785-FEK | | R572 | 1-247-840-00 | CARBON 2.4K | 5% 1/4W (V909/VE910) |
| Q547 | 8-729-140-84 | TRANSISTOR 2SC1841-PAFAEA | | R572 | 1-249-421-11 | CARBON 2.2K | 5% 1/4W (DE915) |
| Q548 | 8-729-119-79 | TRANSISTOR 2SC2785-FEK | | R573 | 1-249-414-11 | CARBON 560 | 5% 1/4W F |
| Q549 | 8-729-140-82 | TRANSISTOR 2SA988-PAFAEA | | △ R574 | 1-249-408-11 | CARBON 180 | 5% 1/4W F |
| Q554 | 8-729-119-76 | TRANSISTOR 2SA1175-HFE | | △ R575 | 1-249-408-11 | CARBON 180 | 5% 1/4W F |
| Q555 | 8-729-209-15 | TRANSISTOR 2SD2012 | | △ R576 | 1-233-352-41 | ENCAPSULATED COMPONENT 0.22X2 2W | |
| Q556 | 8-749-010-25 | IC MN2488-OPY-M | | R577 | 1-247-850-11 | CARBON 6.2K | 5% 1/4W |
| Q557 | 8-749-010-26 | IC MP1620-OPY-M | | R578 | 1-249-419-11 | CARBON 1.5K | 5% 1/4W F |
| Q558 | 8-729-140-82 | TRANSISTOR 2SA988-PAFAEA | | R579 | 1-247-866-11 | CARBON 30K | 5% 1/4W |
| Q559 | 8-729-281-53 | TRANSISTOR 2SC1815-GR | | R580 | 1-249-421-11 | CARBON 2.2K | 5% 1/4W F |
| Q560 | 8-729-900-63 | TRANSISTOR DTA124ES | | R581 | 1-249-433-11 | CARBON 22K | 5% 1/4W |
| Q561 | 8-729-900-63 | TRANSISTOR DTA124ES | | R582 | 1-249-437-11 | CARBON 47K | 5% 1/4W |
| Q596 | 8-729-119-79 | TRANSISTOR 2SC2785-FEK | | △ R583 | 1-249-393-11 | CARBON 10 | 5% 1/4W F |
| Q604 | 8-729-119-76 | TRANSISTOR 2SA1175-HFE | | △ R584 | 1-249-389-11 | CARBON 4.7 | 5% 1/4W F |
| Q605 | 8-729-209-15 | TRANSISTOR 2SD2012 | | R585 | 1-249-431-11 | CARBON 15K | 5% 1/4W |
| Q606 | 8-749-010-25 | IC MN2488-OPY-M | | R586 | 1-249-429-11 | CARBON 10K | 5% 1/4W |
| Q607 | 8-749-010-26 | IC MP1620-OPY-M | | R587 | 1-249-425-11 | CARBON 4.7K | 5% 1/4W F |
| Q608 | 8-729-140-82 | TRANSISTOR 2SA988-PAFAEA | | △ R588 | 1-249-393-11 | CARBON 10 | 5% 1/4W F |
| Q610 | 8-729-119-79 | TRANSISTOR 2SC2785-FEK | | R621 | 1-249-437-11 | CARBON 47K | 5% 1/4W (DE915) |
| Q612 | 8-729-281-53 | TRANSISTOR 2SC1815-GR (DE915) | | R622 | 1-247-840-00 | CARBON 2.4K | 5% 1/4W (V909/VE910) |
| Q613 | 8-729-281-53 | TRANSISTOR 2SC1815-GR | | R622 | 1-249-421-11 | CARBON 2.2K | 5% 1/4W (DE915) |
| Q614 | 8-729-201-53 | TRANSISTOR 2SA1015-GR (DE915) | | R623 | 1-249-414-11 | CARBON 560 | 5% 1/4W F |
| Q615 | 8-729-900-36 | TRANSISTOR DTC124ES (DE915) | | △ R624 | 1-249-408-11 | CARBON 180 | 5% 1/4W F |
| Q616 | 8-729-900-36 | TRANSISTOR DTC124ES | | △ R625 | 1-249-408-11 | CARBON 180 | 5% 1/4W F |
| Q617 | 8-729-900-36 | TRANSISTOR DTC124ES (DE915) | | △ R626 | 1-233-352-41 | ENCAPSULATED COMPONENT 0.22X2 2W | |
| Q618 | 8-729-900-63 | TRANSISTOR DTA124ES (DE915) | | R627 | 1-247-850-11 | CARBON 6.2K | 5% 1/4W |
| Q801 | 8-729-209-15 | TRANSISTOR 2SD2012 | | R628 | 1-249-419-11 | CARBON 1.5K | 5% 1/4W F |
| | | < RESISTOR > | | R632 | 1-249-437-11 | CARBON 47K | 5% 1/4W |
| R521 | 1-249-437-11 | CARBON 47K 5% | 1/4W (DE915) | R640 | 1-216-450-00 | METAL OXIDE 82 | 5% 2W F (DE915) |
| R522 | 1-247-840-00 | CARBON 2.4K 5% | 1/4W (V909/VE910) | R641 | 1-249-441-11 | CARBON 100K | 5% 1/4W (DE915) |
| R522 | 1-249-421-11 | CARBON 2.2K 5% | 1/4W F (DE915) | R642 | 1-216-454-11 | METAL OXIDE 390 | 5% 2W F (V909/VE910) |
| R523 | 1-249-414-11 | CARBON 560 5% | 1/4W F | R642 | 1-215-889-00 | METAL OXIDE 330 | 5% 2W F (DE915) |
| △ R524 | 1-249-408-11 | CARBON 180 5% | 1/4W F | R643 | 1-249-441-11 | CARBON 100K | 5% 1/4W |
| △ R525 | 1-249-408-11 | CARBON 180 5% | 1/4W F | R644 | 1-215-890-11 | METAL OXIDE 470 | 5% 2W F (DE915) |
| △ R526 | 1-233-352-41 | ENCAPSULATED COMPONENT | | | | | |
| R527 | 1-247-850-11 | CARBON 6.2K 5% | 1/4W | | | | |
| R528 | 1-249-419-11 | CARBON 1.5K 5% | 1/4W F | | | | |
| R529 | 1-247-866-11 | CARBON 30K 5% | 1/4W | | | | |
| R530 | 1-249-421-11 | CARBON 2.2K 5% | 1/4W F | | | | |
| R531 | 1-249-433-11 | CARBON 22K 5% | 1/4W | | | | |
| R532 | 1-249-437-11 | CARBON 47K 5% | 1/4W | | | | |

The components identified by mark △ or dotted line with mark △ are critical for safety. Replace only with part number specified.

Les composants identifiés par une marque △ sont critiques pour la sécurité. Ne les remplacer que par une pièce portant le numéro spécifié.

AMP

AMP JOINT (F)

AMP JOINT (B)

AUDIO (2F)

BALANCE

DIGITAL

| Ref. No. | Part No. | Description | Remarks |
|-----------------------------------|---------------------|--------------------------------------|--------------|
| R645 | 1-249-441-11 | CARBON 100K 5% | 1/4W (DE915) |
| R650 | 1-249-425-11 | CARBON 4.7K 5% | 1/4W F |
| R651 | 1-249-429-11 | CARBON 10K 5% | 1/4W |
| △ R652 | 1-249-393-11 | CARBON 10 5% | 1/4W F |
| R739 | 1-215-868-00 | METAL OXIDE 680 5% | 1W F |
| R789 | 1-215-868-00 | METAL OXIDE 680 5% | 1W F |
| △ R802 | 1-249-381-11 | CARBON 1 5% | 1/4W F |
| R803 | 1-247-843-11 | CARBON 3.3K 5% | 1/4W |
| < RELAY > | | | |
| RY501 | 1-515-920-11 | RELAY (24V) | |
| RY502 | 1-515-920-11 | RELAY (24V) | |
| RY602 | 1-515-793-11 | RELAY | |
| < TERMINAL > | | | |
| * TM501 | 1-537-699-11 | TERMINAL BOARD (SP) (FRONT SPEAKERS) | |
| ***** | | | |
| * 1-665-791-11 | AMP JOINT (F) BOARD | | |
| ***** | | | |
| < CONNECTOR > | | | |
| CNP501 | 1-770-553-11 | CONNECTOR, BOARD TO BOARD 11P | |
| CNP502 | 1-770-553-11 | CONNECTOR, BOARD TO BOARD 11P | |
| ***** | | | |
| * 1-665-792-11 | AMP JOINT (B) BOARD | | |
| ***** | | | |
| < CONNECTOR > | | | |
| CNP601 | 1-770-553-11 | CONNECTOR, BOARD TO BOARD 11P | |
| CNP602 | 1-770-553-11 | CONNECTOR, BOARD TO BOARD 11P | |
| ***** | | | |
| * 1-665-786-11 | AUDIO (2F) BOARD | | |
| ***** | | | |
| < CAPACITOR > | | | |
| C398 | 1-162-282-31 | CERAMIC 100PF 10% 50V | |
| C399 | 1-162-294-31 | CERAMIC 0.001uF 10% 50V | |
| CC08 | 1-162-282-31 | CERAMIC 100PF 10% 50V | |
| (DE915:AUS/VE910:AEP,UK,G,AED,EE) | | | |
| CC09 | 1-162-282-31 | CERAMIC 100PF 10% 50V | |
| (DE915:AUS/VE910:AEP,UK,G,AED,EE) | | | |
| CC10 | 1-162-282-31 | CERAMIC 100PF 10% 50V | |
| (DE915:AUS/VE910:AEP,UK,G,AED,EE) | | | |
| CC11 | 1-162-282-31 | CERAMIC 100PF 10% 50V | |
| (DE915:AUS/VE910:AEP,UK,G,AED,EE) | | | |
| CC12 | 1-162-282-31 | CERAMIC 100PF 10% 50V | |
| (DE915:AUS/VE910:AEP,UK,G,AED,EE) | | | |
| CC13 | 1-162-282-31 | CERAMIC 100PF 10% 50V | |
| (DE915:AUS/VE910:AEP,UK,G,AED,EE) | | | |
| CC58 | 1-162-282-31 | CERAMIC 100PF 10% 50V | |
| (DE915:AUS/VE910:AEP,UK,G,AED,EE) | | | |
| CC59 | 1-162-282-31 | CERAMIC 100PF 10% 50V | |
| (DE915:AUS/VE910:AEP,UK,G,AED,EE) | | | |
| CC60 | 1-162-282-31 | CERAMIC 100PF 10% 50V | |
| (DE915:AUS/VE910:AEP,UK,G,AED,EE) | | | |
| CC61 | 1-162-282-31 | CERAMIC 100PF 10% 50V | |
| (DE915:AUS/VE910:AEP,UK,G,AED,EE) | | | |
| CC62 | 1-162-282-31 | CERAMIC 100PF 10% 50V | |
| (DE915:AUS/VE910:AEP,UK,G,AED,EE) | | | |
| CC63 | 1-162-282-31 | CERAMIC 100PF 10% 50V | |
| (DE915:AUS/VE910:AEP,UK,G,AED,EE) | | | |

| Ref. No. | Part No. | Description | Remarks |
|-----------------------|--------------------------------------|--|---------|
| < CONNECTOR > | | | |
| CNS302 | 1-695-093-11 | SOCKET, CONNECTOR 9P | |
| < IC > | | | |
| IC303 | 8-759-805-14 | IC LC7822 | |
| < JACK > | | | |
| J304 | 1-766-394-11 | JACK, PIN 6P (VIDEO 1 IN OUT,VIDEO 2 IN) | |
| J305 | 1-766-394-11 | JACK, PIN 6P (VIDEO 2 OUT,LD/DVD,TV/DBS) | |
| < RESISTOR > | | | |
| R318 | 1-249-417-11 | CARBON 1K 5% | 1/4W F |
| R319 | 1-249-417-11 | CARBON 1K 5% | 1/4W F |
| R320 | 1-249-417-11 | CARBON 1K 5% | 1/4W F |
| R321 | 1-249-417-11 | CARBON 1K 5% | 1/4W F |
| R322 | 1-249-417-11 | CARBON 1K 5% | 1/4W F |
| R323 | 1-249-417-11 | CARBON 1K 5% | 1/4W F |
| R368 | 1-249-417-11 | CARBON 1K 5% | 1/4W F |
| R369 | 1-249-417-11 | CARBON 1K 5% | 1/4W F |
| R370 | 1-249-417-11 | CARBON 1K 5% | 1/4W F |
| R371 | 1-249-417-11 | CARBON 1K 5% | 1/4W F |
| R372 | 1-249-417-11 | CARBON 1K 5% | 1/4W F |
| R373 | 1-249-417-11 | CARBON 1K 5% | 1/4W F |
| R398 | 1-249-417-11 | CARBON 1K 5% | 1/4W F |
| R399 | 1-249-425-11 | CARBON 4.7K 5% | 1/4W F |
| ***** | | | |
| * 1-665-815-11 | BALANCE BOARD | | |
| ***** | | | |
| < VARIABLE RESISTOR > | | | |
| RV402 | 1-225-447-11 | RES, VAR, CARBON 100K/100K (BALANCE) | |
| ***** | | | |
| * A-4398-274-A | DIGITAL BOARD, COMPLETE (DE915) | | |
| ***** | | | |
| * A-4403-423-A | DIGITAL BOARD, COMPLETE (V909/VE910) | | |
| ***** | | | |
| < CAPACITOR > | | | |
| C3101 | 1-126-964-11 | ELECT 10uF 20% 50V | |
| C3102 | 1-126-964-11 | ELECT 10uF 20% 50V | |
| C3103 | 1-130-467-00 | MYLAR 470PF 5% 50V | |
| C3104 | 1-130-467-00 | MYLAR 470PF 5% 50V | |
| C3105 | 1-126-964-11 | ELECT 10uF 20% 50V | |
| C3106 | 1-165-319-11 | CERAMIC CHIP 0.1uF 50V | |
| C3107 | 1-106-351-00 | MYLAR 2200PF 5% 200V | |
| C3108 | 1-165-319-11 | CERAMIC CHIP 0.1uF 50V | |
| C3110 | 1-104-665-11 | ELECT 100uF 20% 25V | |
| C3111 | 1-164-222-11 | CERAMIC CHIP 0.22uF 25V | |
| C3112 | 1-126-964-11 | ELECT 10uF 20% 50V | |
| C3113 | 1-126-964-11 | ELECT 10uF 20% 50V | |
| C3114 | 1-164-222-11 | CERAMIC CHIP 0.22uF 25V | |
| C3115 | 1-126-967-11 | ELECT 47uF 20% 16V | |
| C3116 | 1-165-319-11 | CERAMIC CHIP 0.1uF 50V | |

| | |
|---|---|
| <p>The components identified by mark △ or dotted line with mark △ are critical for safety. Replace only with part number specified.</p> | <p>Les composants identifiés par une marque △ sont critiques pour la sécurité. Ne les remplacer que par une pièce portant le numéro spécifié.</p> |
|---|---|

DIGITAL

| Ref. No. | Part No. | Description | Remarks | Ref. No. | Part No. | Description | Remarks | | | | |
|----------|--------------|--------------|---------|----------|----------|--------------|--------------|--------------|---------|-------|-----|
| C3117 | 1-164-232-11 | CERAMIC CHIP | 0.01uF | 50V | C3346 | 1-165-319-11 | CERAMIC CHIP | 0.1uF | 50V | | |
| C3118 | 1-163-235-11 | CERAMIC CHIP | 22PF | 5% | 50V | C3347 | 1-165-319-11 | CERAMIC CHIP | 0.1uF | 50V | |
| C3119 | 1-163-235-11 | CERAMIC CHIP | 22PF | 5% | 50V | C3348 | 1-165-319-11 | CERAMIC CHIP | 0.1uF | 50V | |
| C3120 | 1-165-319-11 | CERAMIC CHIP | 0.1uF | 50V | C3351 | 1-165-319-11 | CERAMIC CHIP | 0.1uF | 50V | | |
| C3121 | 1-165-319-11 | CERAMIC CHIP | 0.1uF | 50V | C3352 | 1-165-319-11 | CERAMIC CHIP | 0.1uF | 50V | | |
| C3122 | 1-104-665-11 | ELECT | 100uF | 20% | 25V | C3353 | 1-165-319-11 | CERAMIC CHIP | 0.1uF | 50V | |
| C3151 | 1-126-964-11 | ELECT | 10uF | 20% | 50V | C3354 | 1-165-319-11 | CERAMIC CHIP | 0.1uF | 50V | |
| C3152 | 1-126-964-11 | ELECT | 10uF | 20% | 50V | C3355 | 1-165-319-11 | CERAMIC CHIP | 0.1uF | 50V | |
| C3153 | 1-130-467-00 | MYLAR | 470PF | 5% | 50V | C3401 | 1-104-665-11 | ELECT | 100uF | 20% | 25V |
| C3154 | 1-130-467-00 | MYLAR | 470PF | 5% | 50V | C3407 | 1-165-319-11 | CERAMIC CHIP | 0.1uF | 50V | |
| C3155 | 1-126-964-11 | ELECT | 10uF | 20% | 50V | C3408 | 1-165-319-11 | CERAMIC CHIP | 0.1uF | 50V | |
| C3156 | 1-165-319-11 | CERAMIC CHIP | 0.1uF | 50V | C3409 | 1-163-275-11 | CERAMIC CHIP | 0.001uF | 5% | 50V | |
| C3157 | 1-106-351-00 | MYLAR | 2200PF | 5% | 200V | C3410 | 1-130-483-00 | MYLAR | 0.01uF | 5% | 50V |
| C3158 | 1-165-319-11 | CERAMIC CHIP | 0.1uF | 50V | C3411 | 1-163-249-11 | CERAMIC CHIP | 82PF | 5% | 50V | |
| C3160 | 1-104-665-11 | ELECT | 100uF | 20% | 25V | C3412 | 1-163-227-11 | CERAMIC CHIP | 10PF | 0.5PF | 50V |
| C3161 | 1-164-222-11 | CERAMIC CHIP | 0.22uF | 25V | C3413 | 1-163-229-11 | CERAMIC CHIP | 12PF | 5% | 50V | |
| C3162 | 1-126-964-11 | ELECT | 10uF | 20% | 50V | C3414 | 1-165-319-11 | CERAMIC CHIP | 0.1uF | 50V | |
| C3163 | 1-126-964-11 | ELECT | 10uF | 20% | 50V | C3415 | 1-165-319-11 | CERAMIC CHIP | 0.1uF | 50V | |
| C3164 | 1-164-222-11 | CERAMIC CHIP | 0.22uF | 25V | C3416 | 1-163-251-11 | CERAMIC CHIP | 100PF | 5% | 50V | |
| C3166 | 1-165-319-11 | CERAMIC CHIP | 0.1uF | 50V | C3417 | 1-163-251-11 | CERAMIC CHIP | 100PF | 5% | 50V | |
| C3301 | 1-163-251-11 | CERAMIC CHIP | 100PF | 5% | 50V | C3418 | 1-165-319-11 | CERAMIC CHIP | 0.1uF | 50V | |
| C3302 | 1-165-319-11 | CERAMIC CHIP | 0.1uF | 50V | C3419 | 1-104-665-11 | ELECT | 100uF | 20% | 25V | |
| C3303 | 1-165-319-11 | CERAMIC CHIP | 0.1uF | 50V | C3420 | 1-165-319-11 | CERAMIC CHIP | 0.1uF | 50V | | |
| C3304 | 1-163-023-00 | CERAMIC CHIP | 0.015uF | 5% | 50V | C3421 | 1-165-319-11 | CERAMIC CHIP | 0.1uF | 50V | |
| C3305 | 1-163-275-11 | CERAMIC CHIP | 0.001uF | 5% | 50V | C3422 | 1-165-319-11 | CERAMIC CHIP | 0.1uF | 50V | |
| C3306 | 1-165-319-11 | CERAMIC CHIP | 0.1uF | 50V | C3423 | 1-165-319-11 | CERAMIC CHIP | 0.1uF | 50V | | |
| C3307 | 1-165-319-11 | CERAMIC CHIP | 0.1uF | 50V | C3424 | 1-165-319-11 | CERAMIC CHIP | 0.1uF | 50V | | |
| C3308 | 1-165-319-11 | CERAMIC CHIP | 0.1uF | 50V | C3425 | 1-163-251-11 | CERAMIC CHIP | 100PF | 5% | 50V | |
| C3309 | 1-165-319-11 | CERAMIC CHIP | 0.1uF | 50V | C3426 | 1-163-251-11 | CERAMIC CHIP | 100PF | 5% | 50V | |
| C3310 | 1-165-319-11 | CERAMIC CHIP | 0.1uF | 50V | C3427 | 1-165-319-11 | CERAMIC CHIP | 0.1uF | 50V | | |
| C3311 | 1-165-319-11 | CERAMIC CHIP | 0.1uF | 50V | C3429 | 1-165-319-11 | CERAMIC CHIP | 0.1uF | 50V | | |
| C3313 | 1-165-319-11 | CERAMIC CHIP | 0.1uF | 50V | C3430 | 1-165-319-11 | CERAMIC CHIP | 0.1uF | 50V | | |
| C3314 | 1-165-319-11 | CERAMIC CHIP | 0.1uF | 50V | C3431 | 1-165-319-11 | CERAMIC CHIP | 0.1uF | 50V | | |
| C3315 | 1-163-275-11 | CERAMIC CHIP | 0.001uF | 5% | 50V | C3432 | 1-165-319-11 | CERAMIC CHIP | 0.1uF | 50V | |
| C3316 | 1-163-275-11 | CERAMIC CHIP | 0.001uF | 5% | 50V | C3433 | 1-165-319-11 | CERAMIC CHIP | 0.1uF | 50V | |
| C3320 | 1-163-037-11 | CERAMIC CHIP | 0.022uF | 10% | 25V | C3434 | 1-163-251-11 | CERAMIC CHIP | 100PF | 5% | 50V |
| C3321 | 1-165-319-11 | CERAMIC CHIP | 0.1uF | 50V | C3435 | 1-163-251-11 | CERAMIC CHIP | 100PF | 5% | 50V | |
| C3322 | 1-163-248-11 | CERAMIC CHIP | 75PF | 5% | 50V | C3436 | 1-165-319-11 | CERAMIC CHIP | 0.1uF | 50V | |
| C3323 | 1-163-275-11 | CERAMIC CHIP | 0.001uF | 5% | 50V | C3438 | 1-165-319-11 | CERAMIC CHIP | 0.1uF | 50V | |
| C3324 | 1-165-319-11 | CERAMIC CHIP | 0.1uF | 50V | C3439 | 1-165-319-11 | CERAMIC CHIP | 0.1uF | 50V | | |
| C3325 | 1-165-319-11 | CERAMIC CHIP | 0.1uF | 50V | C3440 | 1-165-319-11 | CERAMIC CHIP | 0.1uF | 50V | | |
| C3326 | 1-164-232-11 | CERAMIC CHIP | 0.01uF | 50V | C3441 | 1-126-964-11 | ELECT | 10uF | 20% | 50V | |
| C3327 | 1-136-921-11 | FILM | 1uF | 5% | 50V | C3442 | 1-163-243-11 | CERAMIC CHIP | 47PF | 5% | 50V |
| C3328 | 1-136-921-11 | FILM | 1uF | 5% | 50V | C3443 | 1-165-319-11 | CERAMIC CHIP | 0.1uF | 50V | |
| C3330 | 1-165-319-11 | CERAMIC CHIP | 0.1uF | 50V | C3444 | 1-126-933-11 | ELECT | 100uF | 20% | 16V | |
| C3331 | 1-104-665-11 | ELECT | 100uF | 20% | 25V | C3447 | 1-165-319-11 | CERAMIC CHIP | 0.1uF | 50V | |
| C3332 | 1-165-319-11 | CERAMIC CHIP | 0.1uF | 50V | C3471 | 1-165-319-11 | CERAMIC CHIP | 0.1uF | 50V | | |
| C3333 | 1-126-967-11 | ELECT | 47uF | 20% | 16V | C3472 | 1-130-490-11 | MYLAR | 0.039uF | 5% | 50V |
| C3334 | 1-130-495-00 | MYLAR | 0.1uF | 5% | 50V | C3475 | 1-165-319-11 | CERAMIC CHIP | 0.1uF | 50V | |
| C3336 | 1-165-319-11 | CERAMIC CHIP | 0.1uF | 50V | C3476 | 1-165-319-11 | CERAMIC CHIP | 0.1uF | 50V | | |
| C3337 | 1-163-099-00 | CERAMIC CHIP | 18PF | 5% | 50V | C3477 | 1-165-319-11 | CERAMIC CHIP | 0.1uF | 50V | |
| C3338 | 1-163-085-00 | CERAMIC CHIP | 2PF | 50V | C3478 | 1-165-319-11 | CERAMIC CHIP | 0.1uF | 50V | | |
| C3339 | 1-126-964-11 | ELECT | 10uF | 20% | 50V | C3479 | 1-163-227-11 | CERAMIC CHIP | 10PF | 0.5PF | 50V |
| C3340 | 1-164-232-11 | CERAMIC CHIP | 0.01uF | 50V | C3480 | 1-164-232-11 | CERAMIC CHIP | 0.01uF | 50V | | |
| C3341 | 1-164-232-11 | CERAMIC CHIP | 0.01uF | 50V | C3481 | 1-126-965-11 | ELECT | 22uF | 20% | 50V | |
| C3342 | 1-165-319-11 | CERAMIC CHIP | 0.1uF | 50V | C3482 | 1-165-319-11 | CERAMIC CHIP | 0.1uF | 50V | | |
| C3345 | 1-165-319-11 | CERAMIC CHIP | 0.1uF | 50V | C3483 | 1-165-319-11 | CERAMIC CHIP | 0.1uF | 50V | | |
| | | | | | C3484 | 1-163-275-11 | CERAMIC CHIP | 0.001uF | 5% | 50V | |
| | | | | | C3485 | 1-165-319-11 | CERAMIC CHIP | 0.1uF | 50V | | |
| | | | | | C3486 | 1-165-319-11 | CERAMIC CHIP | 0.1uF | 50V | | |

| Ref. No. | Part No. | Description | Remarks | Ref. No. | Part No. | Description | Remarks | | | | |
|----------|--------------|--------------|----------|----------|----------|---------------|--------------------------------|--------------------------------|-------|-----|-----|
| C3487 | 1-165-319-11 | CERAMIC CHIP | 0.1uF | 50V | C3553 | 1-110-339-11 | MYLAR | 220PF | 5% | 50V | |
| C3488 | 1-165-319-11 | CERAMIC CHIP | 0.1uF | 50V | C3554 | 1-165-319-11 | CERAMIC CHIP | 0.1uF | | 50V | |
| C3489 | 1-165-319-11 | CERAMIC CHIP | 0.1uF | 50V | C3555 | 1-110-339-11 | MYLAR | 220PF | 5% | 50V | |
| C3490 | 1-163-275-11 | CERAMIC CHIP | 0.001uF | 5% | 50V | C3556 | 1-110-339-11 | MYLAR | 220PF | 5% | 50V |
| C3491 | 1-165-319-11 | CERAMIC CHIP | 0.1uF | 50V | C3557 | 1-165-319-11 | CERAMIC CHIP | 0.1uF | | 50V | |
| C3492 | 1-126-965-11 | ELECT | 22uF | 20% | 50V | C3558 | 1-165-319-11 | CERAMIC CHIP | 0.1uF | | 50V |
| C3493 | 1-164-232-11 | CERAMIC CHIP | 0.01uF | 50V | C3559 | 1-110-339-11 | MYLAR | 220PF | 5% | 50V | |
| C3494 | 1-165-319-11 | CERAMIC CHIP | 0.1uF | 50V | C3560 | 1-130-477-00 | MYLAR | 0.0033uF | 5% | 50V | |
| C3495 | 1-163-227-11 | CERAMIC CHIP | 10PF | 0.5PF | 50V | C3561 | 1-130-469-00 | MYLAR | 680PF | 5% | 50V |
| C3496 | 1-165-319-11 | CERAMIC CHIP | 0.1uF | 50V | C3562 | 1-165-319-11 | CERAMIC CHIP | 0.1uF | | 50V | |
| C3497 | 1-165-319-11 | CERAMIC CHIP | 0.1uF | 50V | C3563 | 1-110-339-11 | MYLAR | 220PF | 5% | 50V | |
| C3498 | 1-165-319-11 | CERAMIC CHIP | 0.1uF | 50V | C3564 | 1-165-319-11 | CERAMIC CHIP | 0.1uF | | 50V | |
| C3499 | 1-165-319-11 | CERAMIC CHIP | 0.1uF | 50V | C3565 | 1-130-477-00 | MYLAR | 0.0033uF | 5% | 50V | |
| C3500 | 1-165-319-11 | CERAMIC CHIP | 0.1uF | 50V | C3566 | 1-130-469-00 | MYLAR | 680PF | 5% | 50V | |
| C3501 | 1-165-319-11 | CERAMIC CHIP | 0.1uF | 50V | C3567 | 1-165-319-11 | CERAMIC CHIP | 0.1uF | | 50V | |
| C3502 | 1-165-319-11 | CERAMIC CHIP | 0.1uF | 50V | C3568 | 1-110-339-11 | MYLAR | 220PF | 5% | 50V | |
| C3503 | 1-110-339-11 | MYLAR | 220PF | 5% | 50V | C3569 | 1-110-339-11 | MYLAR | 220PF | 5% | 50V |
| C3504 | 1-110-339-11 | MYLAR | 220PF | 5% | 50V | C3570 | 1-165-319-11 | CERAMIC CHIP | 0.1uF | | 50V |
| C3505 | 1-110-339-11 | MYLAR | 220PF | 5% | 50V | C3571 | 1-165-319-11 | CERAMIC CHIP | 0.1uF | | 50V |
| C3506 | 1-165-319-11 | CERAMIC CHIP | 0.1uF | 50V | C3572 | 1-110-339-11 | MYLAR | 220PF | 5% | 50V | |
| C3507 | 1-126-964-11 | ELECT | 10uF | 20% | 50V | C3573 | 1-126-964-11 | ELECT | 10uF | 20% | 50V |
| C3508 | 1-163-227-11 | CERAMIC CHIP | 10PF | 0.5PF | 50V | C3574 | 1-126-964-11 | ELECT | 10uF | 20% | 50V |
| C3509 | 1-110-339-11 | MYLAR | 220PF | 5% | 50V | C3575 | 1-126-964-11 | ELECT | 10uF | 20% | 50V |
| C3510 | 1-130-477-00 | MYLAR | 0.0033uF | 5% | 50V | C3576 | 1-126-964-11 | ELECT | 10uF | 20% | 50V |
| C3511 | 1-130-469-00 | MYLAR | 680PF | 5% | 50V | C3577 | 1-126-964-11 | ELECT | 10uF | 20% | 50V |
| C3512 | 1-110-339-11 | MYLAR | 220PF | 5% | 50V | C3578 | 1-126-964-11 | ELECT | 10uF | 20% | 50V |
| C3513 | 1-165-319-11 | CERAMIC CHIP | 0.1uF | 50V | C3579 | 1-126-964-11 | ELECT | 10uF | 20% | 50V | |
| C3514 | 1-165-319-11 | CERAMIC CHIP | 0.1uF | 50V | C3580 | 1-126-964-11 | ELECT | 10uF | 20% | 50V | |
| C3515 | 1-110-339-11 | MYLAR | 220PF | 5% | 50V | C3581 | 1-126-964-11 | ELECT | 10uF | 20% | 50V |
| C3516 | 1-165-319-11 | CERAMIC CHIP | 0.1uF | 50V | C3582 | 1-126-964-11 | ELECT | 10uF | 20% | 50V | |
| C3517 | 1-110-339-11 | MYLAR | 220PF | 5% | 50V | C3583 | 1-126-964-11 | ELECT | 10uF | 20% | 50V |
| C3518 | 1-110-339-11 | MYLAR | 220PF | 5% | 50V | C3584 | 1-126-964-11 | ELECT | 10uF | 20% | 50V |
| C3519 | 1-130-477-00 | MYLAR | 0.0033uF | 5% | 50V | C3585 | 1-165-319-11 | CERAMIC CHIP | 0.1uF | | 50V |
| C3520 | 1-130-469-00 | MYLAR | 680PF | 5% | 50V | C3586 | 1-165-319-11 | CERAMIC CHIP | 0.1uF | | 50V |
| C3521 | 1-165-319-11 | CERAMIC CHIP | 0.1uF | 50V | C3587 | 1-126-965-11 | ELECT | 22uF | 20% | 50V | |
| C3525 | 1-126-964-11 | ELECT | 10uF | 20% | 50V | C3588 | 1-126-965-11 | ELECT | 22uF | 20% | 50V |
| C3526 | 1-163-227-11 | CERAMIC CHIP | 10PF | 0.5PF | 50V | C3589 | 1-165-319-11 | CERAMIC CHIP | 0.1uF | | 50V |
| C3527 | 1-126-964-11 | ELECT | 10uF | 20% | 50V | C3600 | 1-126-965-11 | ELECT | 22uF | 20% | 50V |
| C3531 | 1-126-964-11 | ELECT | 10uF | 20% | 50V | C3605 | 1-126-965-11 | ELECT | 22uF | 20% | 50V |
| C3532 | 1-165-319-11 | CERAMIC CHIP | 0.1uF | 50V | C3606 | 1-126-965-11 | ELECT | 22uF | 20% | 50V | |
| C3533 | 1-110-339-11 | MYLAR | 220PF | 5% | 50V | C3607 | 1-126-965-11 | ELECT | 22uF | 20% | 50V |
| C3534 | 1-165-319-11 | CERAMIC CHIP | 0.1uF | 50V | C3608 | 1-126-965-11 | ELECT | 22uF | 20% | 50V | |
| C3535 | 1-110-339-11 | MYLAR | 220PF | 5% | 50V | C3609 | 1-126-965-11 | ELECT | 22uF | 20% | 50V |
| C3536 | 1-110-339-11 | MYLAR | 220PF | 5% | 50V | C3621 | 1-165-319-11 | CERAMIC CHIP | 0.1uF | | 50V |
| C3537 | 1-165-319-11 | CERAMIC CHIP | 0.1uF | 50V | C3650 | 1-130-467-00 | MYLAR | 470PF | 5% | 50V | |
| C3538 | 1-165-319-11 | CERAMIC CHIP | 0.1uF | 50V | C3653 | 1-130-467-00 | MYLAR | 470PF | 5% | 50V | |
| C3539 | 1-110-339-11 | MYLAR | 220PF | 5% | 50V | C3656 | 1-130-467-00 | MYLAR | 470PF | 5% | 50V |
| C3540 | 1-130-477-00 | MYLAR | 0.0033uF | 5% | 50V | C3659 | 1-130-467-00 | MYLAR | 470PF | 5% | 50V |
| C3541 | 1-165-319-11 | CERAMIC CHIP | 0.1uF | 50V | C3662 | 1-130-467-00 | MYLAR | 470PF | 5% | 50V | |
| C3542 | 1-130-469-00 | MYLAR | 680PF | 5% | 50V | C3665 | 1-130-467-00 | MYLAR | 470PF | 5% | 50V |
| C3543 | 1-110-339-11 | MYLAR | 220PF | 5% | 50V | < CONNECTOR > | | | | | |
| C3544 | 1-165-319-11 | CERAMIC CHIP | 0.1uF | 50V | CN3301 | 1-569-309-11 | SOCKET, CONNECTOR (L TYRE) 21P | | | | |
| C3545 | 1-130-469-00 | MYLAR | 680PF | 5% | 50V | CN3302 | 1-569-309-11 | SOCKET, CONNECTOR (L TYRE) 21P | | | |
| C3546 | 1-130-477-00 | MYLAR | 0.0033uF | 5% | 50V | CN3303 | 1-691-767-11 | PLUG (MICRO CONNECTOR) 5P | | | |
| C3547 | 1-165-319-11 | CERAMIC CHIP | 0.1uF | 50V | CN3304 | 1-691-768-11 | PLUG (MICRO CONNECTOR) 6P | | | | |
| C3548 | 1-165-319-11 | CERAMIC CHIP | 0.1uF | 50V | | | | | | | |
| C3549 | 1-110-339-11 | MYLAR | 220PF | 5% | 50V | | | | | | |
| C3550 | 1-165-319-11 | CERAMIC CHIP | 0.1uF | 50V | | | | | | | |
| C3551 | 1-110-339-11 | MYLAR | 220PF | 5% | 50V | | | | | | |
| C3552 | 1-110-339-11 | MYLAR | 220PF | 5% | 50V | | | | | | |

DIGITAL

| Ref. No. | Part No. | Description | Remarks | Ref. No. | Part No. | Description | Remarks |
|----------|--------------|--------------------------|---------|----------|--------------|--|---------|
| | | < DIODE > | | | | | |
| D3303 | 8-719-061-62 | DIODE KV1851 | | IC3503 | 8-759-636-55 | IC M5218AFP | |
| D3401 | 8-719-951-05 | DIODE KV1560 | | IC3504 | 8-759-636-55 | IC M5218AFP | |
| D3402 | 8-719-801-78 | DIODE 1SS184 | | IC3505 | 8-759-636-55 | IC M5218AFP | |
| D3404 | 8-719-801-78 | DIODE 1SS184 | | IC3506 | 8-759-636-55 | IC M5218AFP | |
| D3407 | 8-719-820-05 | DIODE 1SS181 | | IC3507 | 8-759-636-55 | IC M5218AFP | |
| D3409 | 8-719-801-78 | DIODE 1SS184 | | IC3508 | 8-759-636-55 | IC M5218AFP | |
| D3410 | 8-719-801-78 | DIODE 1SS184 | | IC3509 | 8-759-636-55 | IC M5218AFP | |
| | | < FERRITE BEAD > | | IC3510 | 8-759-636-55 | IC M5218AFP | |
| FB3401 | 1-410-397-21 | FERRITE BEAD INDUCTOR | | IC3511 | 8-759-636-55 | IC M5218AFP | |
| FB3402 | 1-410-397-21 | FERRITE BEAD INDUCTOR | | IC3512 | 8-759-636-55 | IC M5218AFP | |
| FB3403 | 1-410-397-21 | FERRITE BEAD INDUCTOR | | IC3513 | 8-759-636-55 | IC M5218AFP | |
| FB3404 | 1-410-397-21 | FERRITE BEAD INDUCTOR | | IC3514 | 8-759-636-55 | IC M5218AFP | |
| FB3405 | 1-414-813-21 | INDUCTOR 0UH | | IC3515 | 8-759-636-55 | IC M5218AFP | |
| FB3406 | 1-414-813-21 | INDUCTOR 0UH | | IC3516 | 8-759-463-71 | IC LC7535M-TP | |
| FB3407 | 1-414-813-21 | INDUCTOR 0UH | | IC3517 | 8-759-463-71 | IC LC7535M-TP | |
| | | < FILTER > | | | | < JACK > | |
| FL3301 | 1-233-866-11 | FILTER, BAND PASS | | J3301 | 1-770-905-11 | JACK, PIN 1P (LD IN COAXIAL)(V909/VE910) | |
| | | < IC > | | J3302 | 1-779-701-11 | JACK, PIN 1P (LD/DVD IN) | |
| IC3101 | 8-759-636-55 | IC M5218AFP | | | | < COIL > | |
| IC3102 | 8-759-636-55 | IC M5218AFP | | L3301 | 1-410-391-11 | INDUCTOR CHIP 68uH | |
| IC3103 | 8-759-636-55 | IC M5218AFP | | L3401 | 1-426-850-11 | COIL (RF) | |
| IC3104 | 8-759-463-77 | IC CXD8681M-TP | | L3402 | 1-410-381-11 | INDUCTOR CHIP 10uH | |
| IC3105 | 8-759-604-35 | IC M5F78M05L | | L3403 | 1-410-381-11 | INDUCTOR CHIP 10uH | |
| IC3106 | 8-759-045-17 | IC NJM79L05UA | | L3404 | 1-410-381-11 | INDUCTOR CHIP 10uH | |
| IC3107 | 8-759-242-70 | IC TC7WU04F | | L3405 | 1-410-381-11 | INDUCTOR CHIP 10uH | |
| IC3108 | 8-759-233-26 | IC TC74HC393AF-TP1 | | | | < TRANSISTOR > | |
| IC3301 | 8-749-923-05 | IC TORX178 (LD/DVD IN) | | Q3301 | 8-729-230-49 | TRANSISTOR 2SC2712-YG | |
| IC3302 | 8-749-923-05 | IC TORX178 (CD IN) | | Q3302 | 8-729-230-49 | TRANSISTOR 2SC2712-YG | |
| IC3303 | 8-749-923-05 | IC TORX178 (DAT/MD IN) | | Q3303 | 8-729-216-22 | TRANSISTOR 2SA1162-G | |
| IC3304 | 8-749-923-04 | IC TOTX178 (DAT/MD OUT) | | Q3304 | 8-729-230-49 | TRANSISTOR 2SC2712-YG | |
| IC3305 | 8-759-262-03 | IC MC14577CF | | Q3305 | 8-729-230-49 | TRANSISTOR 2SC2712-YG | |
| IC3306 | 8-759-636-55 | IC M5218AFP | | Q3306 | 8-729-216-22 | TRANSISTOR 2SA1162-G | |
| IC3307 | 8-759-045-17 | IC NJM79L05UA | | Q3307 | 8-729-027-43 | TRANSISTOR DTC114EKA-T146 | |
| IC3308 | 8-759-463-68 | IC SN-PM4007A | | Q3308 | 8-729-216-22 | TRANSISTOR 2SA1162-G | |
| IC3309 | 8-759-441-94 | IC IDT71256SA20Y-TL | | Q3309 | 8-729-027-43 | TRANSISTOR DTC114EKA-T146 | |
| IC3311 | 8-759-326-72 | IC CXD8521M | | Q3310 | 8-729-216-22 | TRANSISTOR 2SA1162-G | |
| IC3313 | 8-759-236-17 | IC TC74HC151AF-TP1 | | Q3311 | 8-729-027-43 | TRANSISTOR DTC114EKA-T146 | |
| IC3314 | 8-759-242-70 | IC TC7WU04F (V909/VE910) | | Q3312 | 8-729-216-22 | TRANSISTOR 2SA1162-G | |
| IC3401 | 8-759-370-62 | IC CXD8505BQ | | Q3313 | 8-729-027-43 | TRANSISTOR DTC114EKA-T146 | |
| IC3402 | 8-759-370-62 | IC CXD8505BQ | | Q3314 | 8-729-216-22 | TRANSISTOR 2SA1162-G | |
| IC3403 | 8-759-370-62 | IC CXD8505BQ | | Q3315 | 8-729-027-43 | TRANSISTOR DTC114EKA-T146 | |
| IC3407 | 8-759-233-26 | IC TC74HC393AF-TP1 | | Q3401 | 8-729-232-11 | TRANSISTOR 2SK302-GR-TE85L | |
| IC3408 | 8-759-233-64 | IC TC74HCU04AF | | Q3402 | 8-729-232-11 | TRANSISTOR 2SK302-GR-TE85L | |
| IC3409 | 8-759-250-81 | IC TC5081AP | | Q3403 | 8-729-230-49 | TRANSISTOR 2SC2712-YG | |
| IC3410 | 8-759-446-37 | IC DSP56009FJ88F | | Q3404 | 8-729-230-49 | TRANSISTOR 2SC2712-YG | |
| IC3411 | 8-759-436-44 | IC IDT71024S20Y-TL | | Q3405 | 8-729-230-49 | TRANSISTOR 2SC2712-YG | |
| IC3412 | 8-759-446-40 | IC SSP424023FJ88 | | Q3406 | 8-729-230-49 | TRANSISTOR 2SC2712-YG | |
| IC3413 | 8-759-488-55 | IC MB90641APF-G-104BND | | Q3407 | 8-729-027-43 | TRANSISTOR DTC114EKA-T146 | |
| IC3414 | 8-759-232-65 | IC TC74HC157AF | | Q3501 | 8-729-107-46 | TRANSISTOR 2SC3624A-L15 | |
| IC3417 | 8-759-233-64 | IC TC74HCU04AF | | Q3502 | 8-729-107-46 | TRANSISTOR 2SC3624A-L15 | |
| IC3425 | 8-759-242-70 | IC TC7WU04F | | Q3503 | 8-729-107-46 | TRANSISTOR 2SC3624A-L15 | |
| IC3501 | 8-759-636-55 | IC M5218AFP | | Q3504 | 8-729-107-46 | TRANSISTOR 2SC3624A-L15 | |
| IC3502 | 8-759-636-55 | IC M5218AFP | | Q3505 | 8-729-107-46 | TRANSISTOR 2SC3624A-L15 | |
| | | | | Q3506 | 8-729-107-46 | TRANSISTOR 2SC3624A-L15 | |
| | | | | Q3511 | 8-729-107-46 | TRANSISTOR 2SC3624A-L15 | |
| | | | | Q3512 | 8-729-107-46 | TRANSISTOR 2SC3624A-L15 | |

| Ref. No. | Part No. | Description | Remarks | Ref. No. | Part No. | Description | Remarks |
|----------|--------------|-------------------------|--------------|----------|--------------|------------------|--------------|
| Q3513 | 8-729-107-46 | TRANSISTOR 2SC3624A-L15 | | R3311 | 1-216-022-00 | METAL CHIP 75 | 5% 1/10W |
| Q3514 | 8-729-107-46 | TRANSISTOR 2SC3624A-L15 | | R3312 | 1-216-025-91 | METAL GLAZE 100 | 5% 1/10W |
| Q3515 | 8-729-107-46 | TRANSISTOR 2SC3624A-L15 | | | | | (V909/VE910) |
| Q3516 | 8-729-107-46 | TRANSISTOR 2SC3624A-L15 | | R3313 | 1-216-022-00 | METAL CHIP 75 | 5% 1/10W |
| Q3517 | 8-729-107-46 | TRANSISTOR 2SC3624A-L15 | | R3314 | 1-216-022-00 | METAL CHIP 75 | 5% 1/10W |
| Q3518 | 8-729-107-46 | TRANSISTOR 2SC3624A-L15 | | R3315 | 1-216-025-91 | METAL GLAZE 100 | 5% 1/10W |
| Q3519 | 8-729-107-46 | TRANSISTOR 2SC3624A-L15 | | | | | (V909/VE910) |
| Q3520 | 8-729-107-46 | TRANSISTOR 2SC3624A-L15 | | R3316 | 1-216-073-00 | METAL CHIP 10K | 5% 1/10W |
| Q3521 | 8-729-107-46 | TRANSISTOR 2SC3624A-L15 | | R3317 | 1-216-049-91 | METAL GLAZE 1K | 5% 1/10W |
| Q3522 | 8-729-107-46 | TRANSISTOR 2SC3624A-L15 | | R3318 | 1-216-049-91 | METAL GLAZE 1K | 5% 1/10W |
| | | < RESISTOR > | | R3319 | 1-216-083-00 | METAL CHIP 27K | 5% 1/10W |
| R3100 | 1-216-065-00 | METAL CHIP 4.7K | 5% 1/10W | R3320 | 1-216-043-91 | METAL GLAZE 560 | 5% 1/10W |
| R3101 | 1-216-065-00 | METAL CHIP 4.7K | 5% 1/10W | R3321 | 1-216-024-00 | METAL GLAZE 91 | 5% 1/10W |
| R3102 | 1-216-065-00 | METAL CHIP 4.7K | 5% 1/10W | R3322 | 1-216-049-91 | METAL GLAZE 1K | 5% 1/10W |
| R3103 | 1-216-065-00 | METAL CHIP 4.7K | 5% 1/10W | R3323 | 1-216-049-91 | METAL GLAZE 1K | 5% 1/10W |
| R3104 | 1-216-053-00 | METAL CHIP 1.5K | 5% 1/10W | R3324 | 1-216-049-91 | METAL GLAZE 1K | 5% 1/10W |
| R3105 | 1-216-017-91 | METAL GLAZE 47 | 5% 1/10W | R3325 | 1-216-065-00 | METAL CHIP 4.7K | 5% 1/10W |
| R3106 | 1-216-065-00 | METAL CHIP 4.7K | 5% 1/10W | R3326 | 1-216-029-00 | METAL CHIP 150 | 5% 1/10W |
| R3107 | 1-216-053-00 | METAL CHIP 1.5K | 5% 1/10W | R3327 | 1-216-049-91 | METAL GLAZE 1K | 5% 1/10W |
| R3108 | 1-216-017-91 | METAL GLAZE 47 | 5% 1/10W | R3328 | 1-216-049-91 | METAL GLAZE 1K | 5% 1/10W |
| R3109 | 1-216-065-00 | METAL CHIP 4.7K | 5% 1/10W | R3329 | 1-216-049-91 | METAL GLAZE 1K | 5% 1/10W |
| R3110 | 1-216-065-00 | METAL CHIP 4.7K | 5% 1/10W | R3330 | 1-216-049-91 | METAL GLAZE 1K | 5% 1/10W |
| R3111 | 1-216-073-00 | METAL CHIP 10K | 5% 1/10W | R3331 | 1-216-055-00 | METAL CHIP 1.8K | 5% 1/10W |
| R3112 | 1-216-027-00 | METAL CHIP 120 | 5% 1/10W | R3332 | 1-216-073-00 | METAL CHIP 10K | 5% 1/10W |
| R3113 | 1-216-073-00 | METAL CHIP 10K | 5% 1/10W | R3333 | 1-216-073-00 | METAL CHIP 10K | 5% 1/10W |
| R3114 | 1-216-025-91 | METAL GLAZE 100 | 5% 1/10W | R3334 | 1-216-065-00 | METAL CHIP 4.7K | 5% 1/10W |
| R3115 | 1-216-025-91 | METAL GLAZE 100 | 5% 1/10W | R3335 | 1-216-065-00 | METAL CHIP 4.7K | 5% 1/10W |
| R3116 | 1-216-121-91 | METAL GLAZE 1M | 5% 1/10W | R3336 | 1-216-049-91 | METAL GLAZE 1K | 5% 1/10W |
| R3117 | 1-216-041-00 | METAL CHIP 470 | 5% 1/10W | R3337 | 1-216-061-00 | METAL CHIP 3.3K | 5% 1/10W |
| R3118 | 1-216-025-91 | METAL GLAZE 100 | 5% 1/10W | R3338 | 1-216-049-91 | METAL GLAZE 1K | 5% 1/10W |
| R3119 | 1-216-025-91 | METAL GLAZE 100 | 5% 1/10W | R3339 | 1-216-071-00 | METAL CHIP 8.2K | 5% 1/10W |
| R3120 | 1-216-025-91 | METAL GLAZE 100 | 5% 1/10W | R3340 | 1-216-081-00 | METAL CHIP 22K | 5% 1/10W |
| R3121 | 1-216-043-91 | METAL GLAZE 560 | 5% 1/10W | R3341 | 1-216-097-91 | METAL GLAZE 100K | 5% 1/10W |
| R3123 | 1-216-041-00 | METAL CHIP 470 | 5% 1/10W | R3342 | 1-216-063-91 | METAL GLAZE 3.9K | 5% 1/10W |
| R3124 | 1-216-041-00 | METAL CHIP 470 | 5% 1/10W | R3343 | 1-216-065-00 | METAL CHIP 4.7K | 5% 1/10W |
| R3150 | 1-216-065-00 | METAL CHIP 4.7K | 5% 1/10W | R3344 | 1-216-093-00 | METAL CHIP 68K | 5% 1/10W |
| R3151 | 1-216-065-00 | METAL CHIP 4.7K | 5% 1/10W | R3345 | 1-216-073-00 | METAL CHIP 10K | 5% 1/10W |
| R3152 | 1-216-065-00 | METAL CHIP 4.7K | 5% 1/10W | R3346 | 1-216-073-00 | METAL CHIP 10K | 5% 1/10W |
| R3153 | 1-216-065-00 | METAL CHIP 4.7K | 5% 1/10W | R3347 | 1-216-089-91 | METAL GLAZE 47K | 5% 1/10W |
| R3154 | 1-216-053-00 | METAL CHIP 1.5K | 5% 1/10W | R3348 | 1-216-027-00 | METAL CHIP 120 | 5% 1/10W |
| R3155 | 1-216-017-91 | METAL GLAZE 47 | 5% 1/10W | R3349 | 1-216-089-91 | METAL GLAZE 47K | 5% 1/10W |
| R3156 | 1-216-065-00 | METAL CHIP 4.7K | 5% 1/10W | R3350 | 1-216-089-91 | METAL GLAZE 47K | 5% 1/10W |
| R3157 | 1-216-053-00 | METAL CHIP 1.5K | 5% 1/10W | R3351 | 1-216-017-91 | METAL GLAZE 47 | 5% 1/10W |
| R3158 | 1-216-017-91 | METAL GLAZE 47 | 5% 1/10W | R3352 | 1-216-025-91 | METAL GLAZE 100 | 5% 1/10W |
| R3159 | 1-216-065-00 | METAL CHIP 4.7K | 5% 1/10W | R3353 | 1-216-025-91 | METAL GLAZE 100 | 5% 1/10W |
| R3160 | 1-216-065-00 | METAL CHIP 4.7K | 5% 1/10W | R3354 | 1-216-073-00 | METAL CHIP 10K | 5% 1/10W |
| R3161 | 1-216-073-00 | METAL CHIP 10K | 5% 1/10W | R3355 | 1-216-073-00 | METAL CHIP 10K | 5% 1/10W |
| R3162 | 1-216-027-00 | METAL CHIP 120 | 5% 1/10W | R3356 | 1-216-081-00 | METAL CHIP 22K | 5% 1/10W |
| R3163 | 1-216-073-00 | METAL CHIP 10K | 5% 1/10W | R3357 | 1-216-049-91 | METAL GLAZE 1K | 5% 1/10W |
| R3301 | 1-216-022-00 | METAL CHIP 75 | 5% 1/10W | R3358 | 1-216-049-91 | METAL GLAZE 1K | 5% 1/10W |
| R3302 | 1-216-295-91 | CONDUCTOR, CHIP (2012) | | R3359 | 1-216-049-91 | METAL GLAZE 1K | 5% 1/10W |
| R3303 | 1-216-081-00 | METAL CHIP 22K | 5% 1/10W | R3360 | 1-216-049-91 | METAL GLAZE 1K | 5% 1/10W |
| R3304 | 1-216-065-00 | METAL CHIP 4.7K | 5% 1/10W | R3361 | 1-216-049-91 | METAL GLAZE 1K | 5% 1/10W |
| R3305 | 1-216-029-00 | METAL CHIP 150 | 5% 1/10W | R3362 | 1-216-073-00 | METAL CHIP 10K | 5% 1/10W |
| R3306 | 1-216-065-00 | METAL CHIP 4.7K | 5% 1/10W | R3363 | 1-216-049-91 | METAL GLAZE 1K | 5% 1/10W |
| R3307 | 1-216-022-00 | METAL CHIP 75 | 5% 1/10W | R3364 | 1-216-049-91 | METAL GLAZE 1K | 5% 1/10W |
| | | | (V909/VE910) | R3365 | 1-216-049-91 | METAL GLAZE 1K | 5% 1/10W |
| R3309 | 1-216-073-00 | METAL CHIP 10K | 5% 1/10W | R3366 | 1-216-073-00 | METAL CHIP 10K | 5% 1/10W |
| | | | (V909/VE910) | R3367 | 1-216-049-91 | METAL GLAZE 1K | 5% 1/10W |
| R3310 | 1-216-022-00 | METAL CHIP 75 | 5% 1/10W | | | | |

DIGITAL

| Ref. No. | Part No. | Description | Quantity | Unit Price | Remarks | Ref. No. | Part No. | Description | Quantity | Unit Price | Remarks |
|----------|--------------|------------------------|----------|------------|---------|----------|--------------|------------------------|----------|------------|---------|
| R3368 | 1-216-049-91 | METAL GLAZE | 1K | 5% | 1/10W | R3429 | 1-216-065-00 | METAL CHIP | 4.7K | 5% | 1/10W |
| R3369 | 1-216-041-00 | METAL CHIP | 470 | 5% | 1/10W | R3430 | 1-216-065-00 | METAL CHIP | 4.7K | 5% | 1/10W |
| R3370 | 1-216-049-91 | METAL GLAZE | 1K | 5% | 1/10W | R3431 | 1-216-295-91 | CONDUCTOR, CHIP (2012) | | | |
| R3371 | 1-216-049-91 | METAL GLAZE | 1K | 5% | 1/10W | R3432 | 1-216-065-00 | METAL CHIP | 4.7K | 5% | 1/10W |
| R3372 | 1-216-073-00 | METAL CHIP | 10K | 5% | 1/10W | R3433 | 1-216-065-00 | METAL CHIP | 4.7K | 5% | 1/10W |
| R3373 | 1-216-049-91 | METAL GLAZE | 1K | 5% | 1/10W | R3434 | 1-216-295-91 | CONDUCTOR, CHIP (2012) | | | |
| R3374 | 1-216-049-91 | METAL GLAZE | 1K | 5% | 1/10W | R3435 | 1-216-065-00 | METAL CHIP | 4.7K | 5% | 1/10W |
| R3375 | 1-216-049-91 | METAL GLAZE | 1K | 5% | 1/10W | R3436 | 1-216-065-00 | METAL CHIP | 4.7K | 5% | 1/10W |
| R3376 | 1-216-049-91 | METAL GLAZE | 1K | 5% | 1/10W | R3437 | 1-216-065-00 | METAL CHIP | 4.7K | 5% | 1/10W |
| R3377 | 1-216-049-91 | METAL GLAZE | 1K | 5% | 1/10W | R3438 | 1-216-065-00 | METAL CHIP | 4.7K | 5% | 1/10W |
| R3378 | 1-216-049-91 | METAL GLAZE | 1K | 5% | 1/10W | R3439 | 1-216-295-91 | CONDUCTOR, CHIP (2012) | | | |
| R3379 | 1-216-049-91 | METAL GLAZE | 1K | 5% | 1/10W | R3440 | 1-216-065-00 | METAL CHIP | 4.7K | 5% | 1/10W |
| R3380 | 1-216-049-91 | METAL GLAZE | 1K | 5% | 1/10W | R3441 | 1-216-065-00 | METAL CHIP | 4.7K | 5% | 1/10W |
| R3381 | 1-216-049-91 | METAL GLAZE | 1K | 5% | 1/10W | R3442 | 1-216-295-91 | CONDUCTOR, CHIP (2012) | | | |
| R3382 | 1-216-049-91 | METAL GLAZE | 1K | 5% | 1/10W | R3443 | 1-216-065-00 | METAL CHIP | 4.7K | 5% | 1/10W |
| R3383 | 1-216-089-91 | METAL GLAZE | 47K | 5% | 1/10W | R3444 | 1-216-065-00 | METAL CHIP | 4.7K | 5% | 1/10W |
| R3384 | 1-216-057-00 | METAL CHIP | 2.2K | 5% | 1/10W | R3445 | 1-216-073-00 | METAL CHIP | 10K | 5% | 1/10W |
| R3385 | 1-216-049-91 | METAL GLAZE | 1K | 5% | 1/10W | R3446 | 1-216-295-91 | CONDUCTOR, CHIP (2012) | | | |
| R3386 | 1-216-049-91 | METAL GLAZE | 1K | 5% | 1/10W | R3447 | 1-216-041-00 | METAL CHIP | 470 | 5% | 1/10W |
| R3387 | 1-216-073-00 | METAL CHIP | 10K | 5% | 1/10W | R3448 | 1-216-295-91 | CONDUCTOR, CHIP (2012) | | | |
| R3388 | 1-216-073-00 | METAL CHIP | 10K | 5% | 1/10W | R3449 | 1-216-295-91 | CONDUCTOR, CHIP (2012) | | | |
| R3389 | 1-216-073-00 | METAL CHIP | 10K | 5% | 1/10W | R3450 | 1-216-295-91 | CONDUCTOR, CHIP (2012) | | | |
| R3390 | 1-216-073-00 | METAL CHIP | 10K | 5% | 1/10W | R3451 | 1-216-295-91 | CONDUCTOR, CHIP (2012) | | | |
| R3391 | 1-216-073-00 | METAL CHIP | 10K | 5% | 1/10W | R3452 | 1-216-065-00 | METAL CHIP | 4.7K | 5% | 1/10W |
| R3392 | 1-216-073-00 | METAL CHIP | 10K | 5% | 1/10W | R3453 | 1-216-065-00 | METAL CHIP | 4.7K | 5% | 1/10W |
| R3393 | 1-216-073-00 | METAL CHIP | 10K | 5% | 1/10W | R3454 | 1-216-073-00 | METAL CHIP | 10K | 5% | 1/10W |
| R3394 | 1-216-073-00 | METAL CHIP | 10K | 5% | 1/10W | R3455 | 1-216-065-00 | METAL CHIP | 4.7K | 5% | 1/10W |
| R3395 | 1-216-073-00 | METAL CHIP | 10K | 5% | 1/10W | R3456 | 1-216-065-00 | METAL CHIP | 4.7K | 5% | 1/10W |
| R3396 | 1-216-073-00 | METAL CHIP | 10K | 5% | 1/10W | R3457 | 1-216-065-00 | METAL CHIP | 4.7K | 5% | 1/10W |
| R3397 | 1-216-073-00 | METAL CHIP | 10K | 5% | 1/10W | R3458 | 1-216-065-00 | METAL CHIP | 4.7K | 5% | 1/10W |
| R3398 | 1-216-073-00 | METAL CHIP | 10K | 5% | 1/10W | R3459 | 1-216-073-00 | METAL CHIP | 10K | 5% | 1/10W |
| R3399 | 1-216-073-00 | METAL CHIP | 10K | 5% | 1/10W | R3460 | 1-216-308-00 | METAL CHIP | 4.7 | 5% | 1/10W |
| R3400 | 1-216-049-91 | METAL GLAZE | 1K | 5% | 1/10W | R3461 | 1-216-295-91 | CONDUCTOR, CHIP (2012) | | | |
| R3401 | 1-216-057-00 | METAL CHIP | 2.2K | 5% | 1/10W | R3462 | 1-216-295-91 | CONDUCTOR, CHIP (2012) | | | |
| R3402 | 1-216-049-91 | METAL GLAZE | 1K | 5% | 1/10W | R3465 | 1-216-065-00 | METAL CHIP | 4.7K | 5% | 1/10W |
| R3403 | 1-216-073-00 | METAL CHIP | 10K | 5% | 1/10W | R3466 | 1-216-065-00 | METAL CHIP | 4.7K | 5% | 1/10W |
| R3404 | 1-216-073-00 | METAL CHIP | 10K | 5% | 1/10W | R3479 | 1-216-097-91 | METAL GLAZE | 100K | 5% | 1/10W |
| R3405 | 1-216-295-91 | CONDUCTOR, CHIP (2012) | | | | R3480 | 1-216-121-91 | METAL GLAZE | 1M | 5% | 1/10W |
| R3406 | 1-216-295-91 | CONDUCTOR, CHIP (2012) | | | | R3501 | 1-216-057-00 | METAL CHIP | 2.2K | 5% | 1/10W |
| R3407 | 1-216-295-91 | CONDUCTOR, CHIP (2012) | | | | R3502 | 1-216-049-91 | METAL GLAZE | 1K | 5% | 1/10W |
| R3408 | 1-216-073-00 | METAL CHIP | 10K | 5% | 1/10W | R3503 | 1-216-073-00 | METAL CHIP | 10K | 5% | 1/10W |
| R3409 | 1-216-071-00 | METAL CHIP | 8.2K | 5% | 1/10W | R3504 | 1-216-073-00 | METAL CHIP | 10K | 5% | 1/10W |
| R3410 | 1-216-097-91 | METAL GLAZE | 100K | 5% | 1/10W | R3505 | 1-216-071-00 | METAL CHIP | 8.2K | 5% | 1/10W |
| R3411 | 1-216-049-91 | METAL GLAZE | 1K | 5% | 1/10W | R3506 | 1-216-071-00 | METAL CHIP | 8.2K | 5% | 1/10W |
| R3412 | 1-216-049-91 | METAL GLAZE | 1K | 5% | 1/10W | R3507 | 1-216-295-91 | CONDUCTOR, CHIP (2012) | | | |
| R3413 | 1-216-295-91 | CONDUCTOR, CHIP (2012) | | | | R3508 | 1-216-073-00 | METAL CHIP | 10K | 5% | 1/10W |
| R3414 | 1-216-295-91 | CONDUCTOR, CHIP (2012) | | | | R3509 | 1-216-071-00 | METAL CHIP | 8.2K | 5% | 1/10W |
| R3415 | 1-216-295-91 | CONDUCTOR, CHIP (2012) | | | | R3510 | 1-216-295-91 | CONDUCTOR, CHIP (2012) | | | |
| R3416 | 1-216-049-91 | METAL GLAZE | 1K | 5% | 1/10W | R3511 | 1-216-049-91 | METAL GLAZE | 1K | 5% | 1/10W |
| R3417 | 1-216-017-91 | METAL GLAZE | 47 | 5% | 1/10W | R3512 | 1-216-057-00 | METAL CHIP | 2.2K | 5% | 1/10W |
| R3418 | 1-216-049-91 | METAL GLAZE | 1K | 5% | 1/10W | R3513 | 1-216-295-91 | CONDUCTOR, CHIP (2012) | | | |
| R3419 | 1-216-065-00 | METAL CHIP | 4.7K | 5% | 1/10W | R3514 | 1-216-049-91 | METAL GLAZE | 1K | 5% | 1/10W |
| R3421 | 1-216-073-00 | METAL CHIP | 10K | 5% | 1/10W | R3515 | 1-216-057-00 | METAL CHIP | 2.2K | 5% | 1/10W |
| R3422 | 1-216-295-91 | CONDUCTOR, CHIP (2012) | | | | R3516 | 1-216-073-00 | METAL CHIP | 10K | 5% | 1/10W |
| R3423 | 1-216-295-91 | CONDUCTOR, CHIP (2012) | | | | R3517 | 1-216-073-00 | METAL CHIP | 10K | 5% | 1/10W |
| R3424 | 1-216-065-00 | METAL CHIP | 4.7K | 5% | 1/10W | R3518 | 1-216-071-00 | METAL CHIP | 8.2K | 5% | 1/10W |
| R3425 | 1-216-065-00 | METAL CHIP | 4.7K | 5% | 1/10W | R3519 | 1-216-071-00 | METAL CHIP | 8.2K | 5% | 1/10W |
| R3426 | 1-216-065-00 | METAL CHIP | 4.7K | 5% | 1/10W | R3520 | 1-216-295-91 | CONDUCTOR, CHIP (2012) | | | |
| R3427 | 1-216-065-00 | METAL CHIP | 4.7K | 5% | 1/10W | R3521 | 1-216-062-00 | METAL CHIP | 3.6K | 5% | 1/10W |
| R3428 | 1-216-295-91 | CONDUCTOR, CHIP (2012) | | | | R3522 | 1-216-073-00 | METAL CHIP | 10K | 5% | 1/10W |

| Ref. No. | Part No. | Description | Remarks | Ref. No. | Part No. | Description | Remarks |
|----------|--------------|------------------------|---------------|----------|--------------|---------------------------|---------|
| R3523 | 1-216-054-00 | METAL GLAZE | 1.6K 5% 1/10W | R3583 | 1-216-081-00 | METAL CHIP 22K 5% 1/10W | |
| R3524 | 1-216-061-00 | METAL CHIP | 3.3K 5% 1/10W | R3584 | 1-216-295-91 | CONDUCTOR, CHIP (2012) | |
| R3525 | 1-216-055-00 | METAL CHIP | 1.8K 5% 1/10W | R3586 | 1-216-295-91 | CONDUCTOR, CHIP (2012) | |
| R3526 | 1-216-049-91 | METAL GLAZE | 1K 5% 1/10W | R3587 | 1-216-295-91 | CONDUCTOR, CHIP (2012) | |
| R3527 | 1-216-065-00 | METAL CHIP | 4.7K 5% 1/10W | R3588 | 1-216-073-00 | METAL CHIP 10K 5% 1/10W | |
| R3528 | 1-216-065-00 | METAL CHIP | 4.7K 5% 1/10W | R3589 | 1-216-073-00 | METAL CHIP 10K 5% 1/10W | |
| R3529 | 1-216-065-00 | METAL CHIP | 4.7K 5% 1/10W | R3590 | 1-216-073-00 | METAL CHIP 10K 5% 1/10W | |
| R3530 | 1-216-081-00 | METAL CHIP | 22K 5% 1/10W | R3591 | 1-216-295-91 | CONDUCTOR, CHIP (2012) | |
| R3531 | 1-216-081-00 | METAL CHIP | 22K 5% 1/10W | R3592 | 1-216-295-91 | CONDUCTOR, CHIP (2012) | |
| R3532 | 1-216-121-91 | METAL GLAZE | 1M 5% 1/10W | R3594 | 1-216-071-00 | METAL CHIP 8.2K 5% 1/10W | |
| R3533 | 1-216-109-00 | METAL CHIP | 330K 5% 1/10W | R3595 | 1-216-073-00 | METAL CHIP 10K 5% 1/10W | |
| R3534 | 1-216-109-00 | METAL CHIP | 330K 5% 1/10W | R3596 | 1-216-097-91 | METAL GLAZE 100K 5% 1/10W | |
| R3535 | 1-216-062-00 | METAL CHIP | 3.6K 5% 1/10W | R3597 | 1-216-065-00 | METAL CHIP 4.7K 5% 1/10W | |
| R3536 | 1-216-061-00 | METAL CHIP | 3.3K 5% 1/10W | R3598 | 1-216-065-00 | METAL CHIP 4.7K 5% 1/10W | |
| R3537 | 1-216-055-00 | METAL CHIP | 1.8K 5% 1/10W | R3599 | 1-216-041-00 | METAL CHIP 470 5% 1/10W | |
| R3538 | 1-216-049-91 | METAL GLAZE | 1K 5% 1/10W | R3600 | 1-216-041-00 | METAL CHIP 470 5% 1/10W | |
| R3539 | 1-216-073-00 | METAL CHIP | 10K 5% 1/10W | R3601 | 1-216-041-00 | METAL CHIP 470 5% 1/10W | |
| R3540 | 1-216-054-00 | METAL GLAZE | 1.6K 5% 1/10W | R3602 | 1-216-041-00 | METAL CHIP 470 5% 1/10W | |
| R3541 | 1-216-065-00 | METAL CHIP | 4.7K 5% 1/10W | R3603 | 1-216-065-00 | METAL CHIP 4.7K 5% 1/10W | |
| R3542 | 1-216-065-00 | METAL CHIP | 4.7K 5% 1/10W | R3604 | 1-216-065-00 | METAL CHIP 4.7K 5% 1/10W | |
| R3543 | 1-216-065-00 | METAL CHIP | 4.7K 5% 1/10W | R3605 | 1-216-041-00 | METAL CHIP 470 5% 1/10W | |
| R3544 | 1-216-097-91 | METAL GLAZE | 100K 5% 1/10W | R3606 | 1-216-041-00 | METAL CHIP 470 5% 1/10W | |
| R3545 | 1-216-121-91 | METAL GLAZE | 1M 5% 1/10W | R3607 | 1-216-065-00 | METAL CHIP 4.7K 5% 1/10W | |
| R3546 | 1-216-121-91 | METAL GLAZE | 1M 5% 1/10W | R3608 | 1-216-065-00 | METAL CHIP 4.7K 5% 1/10W | |
| R3547 | 1-216-121-91 | METAL GLAZE | 1M 5% 1/10W | R3609 | 1-216-041-00 | METAL CHIP 470 5% 1/10W | |
| R3548 | 1-216-121-91 | METAL GLAZE | 1M 5% 1/10W | R3610 | 1-216-041-00 | METAL CHIP 470 5% 1/10W | |
| R3549 | 1-216-073-00 | METAL CHIP | 10K 5% 1/10W | R3611 | 1-216-065-00 | METAL CHIP 4.7K 5% 1/10W | |
| R3550 | 1-216-081-00 | METAL CHIP | 22K 5% 1/10W | R3612 | 1-216-065-00 | METAL CHIP 4.7K 5% 1/10W | |
| R3551 | 1-216-121-91 | METAL GLAZE | 1M 5% 1/10W | R3613 | 1-216-041-00 | METAL CHIP 470 5% 1/10W | |
| R3552 | 1-216-073-00 | METAL CHIP | 10K 5% 1/10W | R3614 | 1-216-041-00 | METAL CHIP 470 5% 1/10W | |
| R3553 | 1-216-081-00 | METAL CHIP | 22K 5% 1/10W | R3615 | 1-216-065-00 | METAL CHIP 4.7K 5% 1/10W | |
| R3554 | 1-216-295-91 | CONDUCTOR, CHIP (2012) | | R3616 | 1-216-065-00 | METAL CHIP 4.7K 5% 1/10W | |
| R3555 | 1-216-073-00 | METAL CHIP | 10K 5% 1/10W | R3617 | 1-216-041-00 | METAL CHIP 470 5% 1/10W | |
| R3556 | 1-216-073-00 | METAL CHIP | 10K 5% 1/10W | R3618 | 1-216-041-00 | METAL CHIP 470 5% 1/10W | |
| R3557 | 1-216-071-00 | METAL CHIP | 8.2K 5% 1/10W | R3619 | 1-216-065-00 | METAL CHIP 4.7K 5% 1/10W | |
| R3558 | 1-216-071-00 | METAL CHIP | 8.2K 5% 1/10W | R3620 | 1-216-065-00 | METAL CHIP 4.7K 5% 1/10W | |
| R3559 | 1-216-295-91 | CONDUCTOR, CHIP (2012) | | R3621 | 1-216-097-91 | METAL GLAZE 100K 5% 1/10W | |
| R3560 | 1-216-049-91 | METAL GLAZE | 1K 5% 1/10W | R3622 | 1-216-097-91 | METAL GLAZE 100K 5% 1/10W | |
| R3561 | 1-216-057-00 | METAL CHIP | 2.2K 5% 1/10W | R3623 | 1-216-097-91 | METAL GLAZE 100K 5% 1/10W | |
| R3562 | 1-216-295-91 | CONDUCTOR, CHIP (2012) | | R3627 | 1-216-065-00 | METAL CHIP 4.7K 5% 1/10W | |
| R3563 | 1-216-049-91 | METAL GLAZE | 1K 5% 1/10W | R3628 | 1-216-065-00 | METAL CHIP 4.7K 5% 1/10W | |
| R3564 | 1-216-057-00 | METAL CHIP | 2.2K 5% 1/10W | R3631 | 1-216-079-00 | METAL CHIP 18K 5% 1/10W | |
| R3565 | 1-216-295-91 | CONDUCTOR, CHIP (2012) | | R3632 | 1-216-056-00 | METAL GLAZE 2K 5% 1/10W | |
| R3566 | 1-216-073-00 | METAL CHIP | 10K 5% 1/10W | R3633 | 1-216-079-00 | METAL CHIP 18K 5% 1/10W | |
| R3567 | 1-216-073-00 | METAL CHIP | 10K 5% 1/10W | R3634 | 1-216-056-00 | METAL GLAZE 2K 5% 1/10W | |
| R3568 | 1-216-071-00 | METAL CHIP | 8.2K 5% 1/10W | R3635 | 1-216-079-00 | METAL CHIP 18K 5% 1/10W | |
| R3569 | 1-216-071-00 | METAL CHIP | 8.2K 5% 1/10W | R3636 | 1-216-056-00 | METAL GLAZE 2K 5% 1/10W | |
| R3570 | 1-216-295-91 | CONDUCTOR, CHIP (2012) | | R3637 | 1-216-079-00 | METAL CHIP 18K 5% 1/10W | |
| R3571 | 1-216-073-00 | METAL CHIP | 10K 5% 1/10W | R3638 | 1-216-056-00 | METAL GLAZE 2K 5% 1/10W | |
| R3572 | 1-216-071-00 | METAL CHIP | 8.2K 5% 1/10W | R3639 | 1-216-079-00 | METAL CHIP 18K 5% 1/10W | |
| R3573 | 1-216-071-00 | METAL CHIP | 8.2K 5% 1/10W | R3640 | 1-216-056-00 | METAL GLAZE 2K 5% 1/10W | |
| R3574 | 1-216-295-91 | CONDUCTOR, CHIP (2012) | | R3641 | 1-216-079-00 | METAL CHIP 18K 5% 1/10W | |
| R3575 | 1-216-049-91 | METAL GLAZE | 1K 5% 1/10W | R3642 | 1-216-056-00 | METAL GLAZE 2K 5% 1/10W | |
| R3576 | 1-216-057-00 | METAL CHIP | 2.2K 5% 1/10W | R3650 | 1-216-065-00 | METAL CHIP 4.7K 5% 1/10W | |
| R3577 | 1-216-295-91 | CONDUCTOR, CHIP (2012) | | R3651 | 1-216-065-00 | METAL CHIP 4.7K 5% 1/10W | |
| R3578 | 1-216-121-91 | METAL GLAZE | 1M 5% 1/10W | R3652 | 1-216-073-00 | METAL CHIP 10K 5% 1/10W | |
| R3579 | 1-216-073-00 | METAL CHIP | 10K 5% 1/10W | R3653 | 1-216-295-91 | CONDUCTOR, CHIP (2012) | |
| R3580 | 1-216-081-00 | METAL CHIP | 22K 5% 1/10W | R3654 | 1-216-073-00 | METAL CHIP 10K 5% 1/10W | |
| R3581 | 1-216-121-91 | METAL GLAZE | 1M 5% 1/10W | R3655 | 1-216-295-91 | CONDUCTOR, CHIP (2012) | |
| R3582 | 1-216-073-00 | METAL CHIP | 10K 5% 1/10W | R3656 | 1-216-065-00 | METAL CHIP 4.7K 5% 1/10W | |

| | | |
|---------|---------|-----|
| DIGITAL | DISPLAY | L.B |
|---------|---------|-----|

| Ref. No. | Part No. | Description | Remarks |
|-----------------------|--------------|--|----------|
| R3657 | 1-216-065-00 | METAL CHIP 4.7K | 5% 1/10W |
| R3658 | 1-216-073-00 | METAL CHIP 10K | 5% 1/10W |
| R3659 | 1-216-295-91 | CONDUCTOR, CHIP (2012) | |
| R3660 | 1-216-073-00 | METAL CHIP 10K | 5% 1/10W |
| R3661 | 1-216-295-91 | CONDUCTOR, CHIP (2012) | |
| R3662 | 1-216-073-00 | METAL CHIP 10K | 5% 1/10W |
| R3663 | 1-216-295-91 | CONDUCTOR, CHIP (2012) | |
| R3664 | 1-216-073-00 | METAL CHIP 10K | 5% 1/10W |
| R3665 | 1-216-065-00 | METAL CHIP 4.7K | 5% 1/10W |
| R3666 | 1-216-065-00 | METAL CHIP 4.7K | 5% 1/10W |
| R3667 | 1-216-073-00 | METAL CHIP 10K | 5% 1/10W |
| R3668 | 1-216-295-91 | CONDUCTOR, CHIP (2012) | |
| R3669 | 1-216-073-00 | METAL CHIP 10K | 5% 1/10W |
| R3670 | 1-216-295-91 | CONDUCTOR, CHIP (2012) | |
| R3671 | 1-216-073-00 | METAL CHIP 10K | 5% 1/10W |
| R3672 | 1-216-295-91 | CONDUCTOR, CHIP (2012) | |
| R3673 | 1-216-065-00 | METAL CHIP 4.7K | 5% 1/10W |
| R3674 | 1-216-065-00 | METAL CHIP 4.7K | 5% 1/10W |
| R3675 | 1-216-073-00 | METAL CHIP 10K | 5% 1/10W |
| R3676 | 1-216-295-91 | CONDUCTOR, CHIP (2012) | |
| R3677 | 1-216-073-00 | METAL CHIP 10K | 5% 1/10W |
| R3678 | 1-216-295-91 | CONDUCTOR, CHIP (2012) | |
| R3679 | 1-216-065-00 | METAL CHIP 4.7K | 5% 1/10W |
| R3680 | 1-216-065-00 | METAL CHIP 4.7K | 5% 1/10W |
| R3681 | 1-216-073-00 | METAL CHIP 10K | 5% 1/10W |
| R3682 | 1-216-295-91 | CONDUCTOR, CHIP (2012) | |
| R3683 | 1-216-073-00 | METAL CHIP 10K | 5% 1/10W |
| R3684 | 1-216-295-91 | CONDUCTOR, CHIP (2012) | |
| R3701 | 1-216-097-91 | METAL GLAZE 100K | 5% 1/10W |
| R3702 | 1-216-097-91 | METAL GLAZE 100K | 5% 1/10W |
| R3703 | 1-216-295-91 | CONDUCTOR, CHIP (2012) | |
| R3704 | 1-216-295-91 | CONDUCTOR, CHIP (2012) | |
| R3706 | 1-216-295-91 | CONDUCTOR, CHIP (2012) | |
| < VARIABLE RESISTOR > | | | |
| RV3301 | 1-241-765-11 | RES, ADJ, CARBON 22K | |
| < VIBRATOR > | | | |
| X3302 | 1-767-434-11 | VIBRATOR, CRYSTAL 18.432MHz | |
| X3401 | 1-767-359-11 | VIBRATOR, CERAMIC 4MHz | |
| X3501 | 1-767-576-11 | VIBRATOR, CRYSTAL 12.288MHz | |
| ***** | | | |
| * | A-4398-225-A | DISPLAY BOARD, COMPLETE (DE915:US,CND) | |
| ***** | | | |
| * | A-4398-246-A | DISPLAY BOARD, COMPLETE (DE915:AUS) | |
| ***** | | | |
| * | A-4398-281-A | DISPLAY BOARD, COMPLETE (DE915:PX) | |
| ***** | | | |
| * | A-4398-284-A | DISPLAY BOARD, COMPLETE (V909/VE910) | |
| ***** | | | |
| | | L.B BOARD | |
| ***** | | | |
| * | 4-921-941-01 | CUSHION (FL) | |
| * | 4-990-797-01 | HOLDER (FL) | |
| < CAPACITOR > | | | |
| C101 | 1-164-159-11 | CERAMIC 0.1uF | 50V |
| C102 | 1-164-159-11 | CERAMIC 0.1uF | 50V |
| C103 | 1-164-159-11 | CERAMIC 0.1uF | 50V |
| C104 | 1-164-159-11 | CERAMIC 0.1uF | 50V |
| C105 | 1-164-159-11 | CERAMIC 0.1uF | 50V |

| Ref. No. | Part No. | Description | Remarks |
|---------------|--------------|---|---------|
| C106 | 1-164-159-11 | CERAMIC 0.1uF | 50V |
| C111 | 1-126-786-11 | ELECT 47uF | 20% 16V |
| C113 | 1-126-786-11 | ELECT 47uF | 20% 16V |
| C115 | 1-104-905-11 | CAPACITOR 0.22F | 5.5V |
| C116 | 1-164-159-11 | CERAMIC 0.1uF | 50V |
| C117 | 1-164-159-11 | CERAMIC 0.1uF | 50V |
| C135 | 1-126-795-11 | ELECT 10uF | 20% 50V |
| C140 | 1-126-786-11 | ELECT 47uF | 20% 16V |
| C141 | 1-164-159-11 | CERAMIC 0.1uF | 50V |
| C142 | 1-164-159-11 | CERAMIC 0.1uF | 50V |
| < CONNECTOR > | | | |
| CNP101 | 1-779-365-11 | CONNECTOR, PC BOARD (PLUG) 8P | |
| CNS102 | 1-770-397-11 | HOUSING, CONNECTOR(PC BOARD)4P | |
| CNS103 | 1-779-366-11 | CONNECTOR, BOARD TO BOARD 4P | |
| CNS104 | 1-569-308-11 | SOCKET, CONNECTOR (L TYRE) 19P | |
| CNS105 | 1-569-324-11 | SOCKET, CONNECTOR 21P | |
| CNS107 | 1-568-438-11 | SOCKET, CONNECTOR 17P | |
| < DIODE > | | | |
| D101 | 8-719-313-45 | DIODE SEL6810A-TH10 (PHONO) | |
| D102 | 8-719-313-45 | DIODE SEL6810A-TH10 (TUNER) | |
| D103 | 8-719-313-45 | DIODE SEL6810A-TH10 (CD) | |
| D104 | 8-719-313-45 | DIODE SEL6810A-TH10 (DAT/MD) | |
| D105 | 8-719-313-45 | DIODE SEL6810A-TH10 (TAPE) | |
| D106 | 8-719-313-45 | DIODE SEL6810A-TH10 (TV/DBS) | |
| D107 | 8-719-313-45 | DIODE SEL6810A-TH10 (LD/DBS) | |
| D108 | 8-719-313-45 | DIODE SEL6810A-TH10 (VIDEO 3) | |
| D109 | 8-719-313-45 | DIODE SEL6810A-TH10 (VIDEO 2) | |
| D110 | 8-719-313-45 | DIODE SEL6810A-TH10 (VIDEO 1) | |
| D111 | 8-719-313-45 | DIODE SEL6810A-TH10 (DIRECT PASS) | |
| D115 | 8-719-313-45 | DIODE SEL6810A-TH10 (SUR) | |
| D116 | 8-719-313-45 | DIODE SEL6810A-TH10 (TONE) | |
| D117 | 8-719-313-45 | DIODE SEL6810A-TH10 (INDEX) | |
| D118 | 8-719-313-45 | DIODE SEL6810A-TH10 (BASS BOOST) | |
| D119 | 8-719-313-43 | DIODE SEL6210S-TH10 (STANDBY) (DE915:AUS/V909/VE910) | |
| D133 | 8-719-987-63 | DIODE 1N4148M | |
| D134 | 8-719-024-99 | DIODE 11ES2-NTA2B | |
| D135 | 8-719-057-97 | DIODE SEL5923A-TP15 (DISCRETE) | |
| D142 | 8-719-987-63 | DIODE 1N4148M | |
| D143 | 8-719-987-63 | DIODE 1N4148M | |
| D144 | 8-719-987-63 | DIODE 1N4148M | |
| < FILTER > | | | |
| FL101 | 1-517-671-11 | INDICATOR TUBE, FLUORESCENT | |
| < IC > | | | |
| IC101 | 8-759-459-84 | IC NJL56H400 | |
| IC103 | 8-759-457-56 | IC MB90673PF-G-206-BND | |
| IC106 | 8-759-962-08 | IC BA6208 | |
| IC107 | 8-759-075-35 | IC TD62C950RF | |
| IC108 | 8-759-999-53 | IC MSC1164GS-K | |
| < COIL > | | | |
| L101 | 1-410-509-11 | INDUCTOR 10uH | |

| Ref. No. | Part No. | Description | Remarks | Ref. No. | Part No. | Description | Remarks |
|----------|--------------|--|---------|----------|--------------|---------------------------------------|----------------------------------|
| | | < TRANSISTOR > | | | | | |
| Q101 | 8-729-900-36 | TRANSISTOR DTC124ES | | R164 | 1-249-429-11 | CARBON 10K 5% | 1/4W |
| Q103 | 8-729-900-36 | TRANSISTOR DTC124ES | | R165 | 1-249-429-11 | CARBON 10K 5% | 1/4W |
| Q104 | 8-729-900-36 | TRANSISTOR DTC124ES (V909/VE910) | | R166 | 1-249-429-11 | CARBON 10K 5% | 1/4W |
| Q105 | 8-729-900-36 | TRANSISTOR DTC124ES (DE915:AUS/V909/VE910) | | R188 | 1-249-411-11 | CARBON 330 5% | 1/4W |
| | | | | R189 | 1-249-413-11 | CARBON 470 5% | 1/4W F |
| Q106 | 8-729-900-36 | TRANSISTOR DTC124ES | | R190 | 1-249-415-11 | CARBON 680 5% | 1/4W F |
| Q107 | 8-729-900-36 | TRANSISTOR DTC124ES | | R191 | 1-249-417-11 | CARBON 1K 5% | 1/4W F |
| Q108 | 8-729-900-36 | TRANSISTOR DTC124ES | | R192 | 1-249-419-11 | CARBON 1.5K 5% | 1/4W F |
| Q111 | 8-729-900-36 | TRANSISTOR DTC124ES | | R193 | 1-249-421-11 | CARBON 2.2K 5% | 1/4W F |
| Q112 | 8-729-900-36 | TRANSISTOR DTC124ES | | R194 | 1-249-425-11 | CARBON 4.7K 5% | 1/4W F |
| Q113 | 8-729-900-36 | TRANSISTOR DTC124ES | | R195 | 1-249-411-11 | CARBON 330 5% | 1/4W |
| Q114 | 8-729-900-36 | TRANSISTOR DTC124ES | | R196 | 1-249-413-11 | CARBON 470 5% | 1/4W F |
| Q115 | 8-729-900-36 | TRANSISTOR DTC124ES | | R197 | 1-249-415-11 | CARBON 680 5% | 1/4W F |
| Q116 | 8-729-900-36 | TRANSISTOR DTC124ES | | R198 | 1-249-417-11 | CARBON 1K 5% | 1/4W F |
| Q117 | 8-729-900-36 | TRANSISTOR DTC124ES | | R199 | 1-249-419-11 | CARBON 1.5K 5% | 1/4W F |
| Q118 | 8-729-900-36 | TRANSISTOR DTC124ES | | RR10 | 1-249-425-11 | CARBON 4.7K 5% | 1/4W F |
| Q119 | 8-729-900-36 | TRANSISTOR DTC124ES | | RR11 | 1-249-411-11 | CARBON 330 5% | 1/4W |
| Q120 | 8-729-900-36 | TRANSISTOR DTC124ES | | RR12 | 1-249-413-11 | CARBON 470 5% | 1/4W F (DE915:AUS,PX/V909/VE910) |
| Q121 | 8-729-900-36 | TRANSISTOR DTC124ES | | RR13 | 1-249-415-11 | CARBON 680 5% | 1/4W F (DE915:PX/V909/VE910) |
| Q122 | 8-729-900-36 | TRANSISTOR DTC124ES | | RR14 | 1-249-417-11 | CARBON 1K 5% | 1/4W F (V909/VE910) |
| Q123 | 8-729-900-36 | TRANSISTOR DTC124ES | | RR15 | 1-249-419-11 | CARBON 1.5K 5% | 1/4W F (V909/VE910) |
| Q124 | 8-729-119-76 | TRANSISTOR 2SA1175-HFE | | | | | |
| | | < RESISTOR > | | | | | |
| R101 | 1-249-437-11 | CARBON 47K | 5% | 1/4W | | | |
| R102 | 1-249-429-11 | CARBON 10K | 5% | 1/4W | | | |
| R111 | 1-247-807-31 | CARBON 100 | 5% | 1/4W | | | |
| R112 | 1-247-807-31 | CARBON 100 | 5% | 1/4W | | | |
| R113 | 1-247-807-31 | CARBON 100 | 5% | 1/4W | | | |
| R114 | 1-247-807-31 | CARBON 100 | 5% | 1/4W | | | |
| R118 | 1-249-417-11 | CARBON 1K | 5% | 1/4W F | | | |
| R119 | 1-249-417-11 | CARBON 1K | 5% | 1/4W F | | | |
| R120 | 1-249-417-11 | CARBON 1K | 5% | 1/4W F | | | |
| R121 | 1-249-417-11 | CARBON 1K | 5% | 1/4W F | | | |
| R122 | 1-249-425-11 | CARBON 4.7K | 5% | 1/4W F | | | |
| R123 | 1-249-425-11 | CARBON 4.7K | 5% | 1/4W F | | | |
| R124 | 1-249-425-11 | CARBON 4.7K | 5% | 1/4W F | | | |
| R125 | 1-249-425-11 | CARBON 4.7K | 5% | 1/4W F | | | |
| R126 | 1-249-425-11 | CARBON 4.7K | 5% | 1/4W F | | | |
| R127 | 1-249-425-11 | CARBON 4.7K | 5% | 1/4W F | | | |
| R128 | 1-249-417-11 | CARBON 1K | 5% | 1/4W F | | | |
| R130 | 1-249-429-11 | CARBON 10K | 5% | 1/4W | | | |
| R131 | 1-249-419-11 | CARBON 1.5K | 5% | 1/4W F | | | |
| R141 | 1-249-441-11 | CARBON 100K | 5% | 1/4W | | | |
| R142 | 1-249-441-11 | CARBON 100K | 5% | 1/4W | | | |
| R150 | 1-249-393-11 | CARBON 10 | 5% | 1/4W F | | | |
| R151 | 1-249-433-11 | CARBON 22K | 5% | 1/4W | | | |
| R152 | 1-249-437-11 | CARBON 47K | 5% | 1/4W | | | |
| △ R153 | 1-249-385-11 | CARBON 2.2 | 5% | 1/6W F | | | |
| △ R154 | 1-249-385-11 | CARBON 2.2 | 5% | 1/6W F | | | |
| R155 | 1-249-411-11 | CARBON 330 | 5% | 1/4W | | | |
| R156 | 1-249-411-11 | CARBON 330 | 5% | 1/4W | | | |
| R157 | 1-249-411-11 | CARBON 330 | 5% | 1/4W | | | |
| R158 | 1-249-411-11 | CARBON 330 | 5% | 1/4W | | | |
| R160 | 1-249-411-11 | CARBON 330 | 5% | 1/4W | | | |
| R161 | 1-249-411-11 | CARBON 330 | 5% | 1/4W | | | |
| | | (DE915:AUS/V909/VE910) | | | | | |
| R162 | 1-249-429-11 | CARBON 10K | 5% | 1/4W | | | |
| | | < SWITCH > | | | | | |
| | | | | S123 | 1-762-751-11 | SWITCH, TACTILE (<) | |
| | | | | S124 | 1-762-751-11 | SWITCH, TACTILE (>) | |
| | | | | S125 | 1-762-751-11 | SWITCH, TACTILE (MEMORY) (DE915) | |
| | | | | S126 | 1-762-751-11 | SWITCH, TACTILE (FM MODE) (DE915) | |
| | | | | S127 | 1-762-751-11 | SWITCH, TACTILE (FM/AM) (DE915) | |
| | | | | S127 | 1-762-751-11 | SWITCH, TACTILE (DIMMER) (V909/VE910) | |
| | | | | S128 | 1-762-751-11 | SWITCH, TACTILE (DISPLAY) | |
| | | | | S129 | 1-762-751-11 | SWITCH, TACTILE (^) | |
| | | | | S130 | 1-762-751-11 | SWITCH, TACTILE (v) | |
| | | | | S131 | 1-762-751-11 | SWITCH, TACTILE (PRESET -) (DE915) | |
| | | | | S132 | 1-762-751-11 | SWITCH, TACTILE (TUNING -) (DE915) | |
| | | | | S133 | 1-762-751-11 | SWITCH, TACTILE (PRESET +) (DE915) | |
| | | | | S134 | 1-762-751-11 | SWITCH, TACTILE (TUNING +) (DE915) | |
| | | | | S135 | 1-762-751-11 | SWITCH, TACTILE (BASS BOOST) | |
| | | | | S151 | 1-762-751-11 | SWITCH, TACTILE (POWER) (DE915) | |
| | | | | | | < VIBRATOR > | |
| | | | | X101 | 1-567-819-11 | VIBRATOR, CERAMIC 4MHZ | |
| | | | | * | 1-665-779-11 | HEADPHONE BOARD | |
| | | | | | | ***** | |
| | | | | | | < CONNECTOR > | |
| | | | | * CNP702 | 1-564-518-11 | PLUG, CONNECTOR 3P | |
| | | | | | | < JACK > | |
| | | | | J701 | 1-568-519-41 | JACK, LARGE TYPE (PHONES) | |
| | | | | | | ***** | |

The components identified by mark △ or dotted line with mark △ are critical for safety. Replace only with part number specified.

Les composants identifiés par une marque △ sont critiques pour la sécurité. Ne les remplacer que par une pièce portant le numéro spécifié.

JOINT (VIDEO)

PS

REAR AMP

| Ref. No. | Part No. | Description | Remarks |
|----------|--------------|--|---|
| * | 1-667-185-11 | JOINT (VIDEO) BOARD ***** | |
| | | < CONNECTOR > | |
| CNP214 | 1-695-087-11 | PIN, CONNECTOR (PC BOARD) 7P | |
| CNP215 | 1-695-087-11 | PIN, CONNECTOR (PC BOARD) 7P | |
| ***** | | | |
| * | A-4398-249-A | PS BOARD, COMPLETE (DE915:AUS/VE910: ***** AEP,UK,G,AED,EE) | |
| * | A-4398-261-A | PS BOARD, COMPLETE (DE915:US,CND) ***** | |
| * | A-4398-278-A | PS BOARD, COMPLETE (V909/VE910:E,SP,MY) ***** | |
| * | A-4398-282-A | PS BOARD, COMPLETE (DE915:PX) ***** | |
| | 7-685-872-09 | SCREW +BVTT 3X8 (S) | |
| | 1-533-399-31 | HOLDER, FUSE | |
| | | < CAPACITOR > | |
| △ C901 | 1-136-157-00 | FILM 0.022uF 5% 50V | |
| △ C902 | 1-136-157-00 | FILM 0.022uF 5% 50V | |
| C903 | 1-126-768-11 | ELECT 2200uF 20% 16V | |
| C904 | 1-126-960-11 | ELECT 1uF 20% 50V | |
| C905 | 1-126-959-11 | ELECT 0.47uF 20% 50V | |
| | C906 | 1-124-464-11 | ELECT 0.22uF 20% 50V |
| | C913 | 1-164-159-11 | CERAMIC 0.1uF 50V |
| | | < JACK > | |
| △ CNJ901 | 1-540-060-11 | OUTLET, AC (POLAR) (AC OUTLET) (US,CND,PX,CH) | |
| | | < CONNECTOR > | |
| | CNP903 | 1-564-321-00 | PIN, CONNECTOR 2P |
| * | CNP904 | 1-580-230-21 | PIN, CONNECTOR (PC BOARD) 2P (DE915:AUS/V909/VE910) |
| | CNP905 | 1-695-087-11 | PIN, CONNECTOR (PC BOARD) 7P |
| * | CNP906 | 1-564-687-11 | PIN, CONNECTOR 3P (DE915:PX,VE910:E) |
| | CNP908 | 1-564-320-00 | PIN, CONNECTOR (B2P-VH) 2P (DE915:PX,VE910:E) |
| | | < DIODE > | |
| | D901 | 8-719-024-99 | DIODE 11ES2-NTA2B |
| | D902 | 8-719-024-99 | DIODE 11ES2-NTA2B |
| | D903 | 8-719-024-99 | DIODE 11ES2-NTA2B |
| | D904 | 8-719-024-99 | DIODE 11ES2-NTA2B |
| | D905 | 8-719-987-63 | DIODE 1N4148M |
| | D906 | 8-719-987-63 | DIODE 1N4148M |
| | D907 | 8-719-987-63 | DIODE 1N4148M |
| | | < TERMINAL, EARTH > | |
| * | EB900 | 1-537-738-21 | TERMINAL, EARTH (DE915:US,CND,PX/V909/VE910:E,SP,MY) |
| | | < FUSE > | |
| △ F901 | 1-532-504-51 | FUSE, TIME LAG 4A 250V (EXCEPT DE915:US,CND) | |
| △ F901 | 1-533-311-11 | FUSE, GLASS CYLINDRICAL 8A 125V (DE915:US,CND) | |
| △ F902 | 1-532-464-51 | FUSE, TIME LAG 2.5A 250V (DE915:AUS/VE910) | |
| △ F903 | 1-532-504-51 | FUSE, TIME LAG 4A 250V (DE915:PX,VE910:E) | |

| Ref. No. | Part No. | Description | Remarks |
|----------|--------------|--|---------|
| | | < IC > | |
| IC901 | 8-759-333-83 | IC NJM2103D | |
| | | < TRANSISTOR > | |
| Q901 | 8-729-119-79 | TRANSISTOR 2SC2785-FEK | |
| Q902 | 8-729-209-15 | TRANSISTOR 2SD2012 | |
| | | < RESISTOR > | |
| △ R901 | 1-202-725-00 | SOLID 3.3M 10% 1/2W (DE915:US,CND) | |
| R902 | 1-249-429-11 | CARBON 10K 5% 1/4W | |
| R903 | 1-249-425-11 | CARBON 4.7K 5% 1/4W F | |
| R904 | 1-249-417-11 | CARBON 1K 5% 1/4W F | |
| R905 | 1-249-428-11 | CARBON 8.2K 5% 1/4W F | |
| R906 | 1-249-421-11 | CARBON 2.2K 5% 1/4W F | |
| R908 | 1-249-433-11 | CARBON 22K 5% 1/4W | |
| R909 | 1-249-439-11 | CARBON 68K 5% 1/4W | |
| R910 | 1-249-437-11 | CARBON 47K 5% 1/4W | |
| R912 | 1-249-430-11 | CARBON 12K 5% 1/4W | |
| | | < RELAY > | |
| RY901 | 1-515-999-11 | RELAY, POWER | |
| | | < TRANSFORMER > | |
| △ T902 | 1-431-430-11 | TRANSFORMER, POWER (DE915:US,CND) | |
| △ T902 | 1-431-431-11 | TRANSFORMER, POWER (DE915:AUS,PX/V909/VE910) | |
| ***** | | | |
| * | A-4398-234-A | REAR AMP BOARD, COMPLETE (V909/VE910) ***** | |
| * | A-4398-248-A | REAR AMP BOARD, COMPLETE (DE915:AUS) ***** | |
| * | A-4398-258-A | REAR AMP BOARD, COMPLETE (DE915:US, ***** CND,PX) | |
| | | < CAPACITOR > | |
| C701 | 1-126-964-11 | ELECT 10uF 20% 50V | |
| C702 | 1-162-282-31 | CERAMIC 100PF 10% 50V | |
| C703 | 1-102-233-00 | CERAMIC 33PF 10% 500V | |
| C705 | 1-126-933-11 | ELECT 100uF 20% 10V | |
| C720 | 1-126-967-11 | ELECT 47uF 20% 16V | |
| C721 | 1-107-597-11 | CERAMIC 22PF 10% 500V | |
| C722 | 1-107-597-11 | CERAMIC 22PF 10% 500V | |
| C723 | 1-162-286-31 | CERAMIC 220PF 10% 50V | |
| C751 | 1-126-964-11 | ELECT 10uF 20% 50V | |
| C752 | 1-162-282-31 | CERAMIC 100PF 10% 50V | |
| C753 | 1-102-233-00 | CERAMIC 33PF 10% 500V | |
| C755 | 1-126-933-11 | ELECT 100uF 20% 10V | |
| C770 | 1-126-967-11 | ELECT 47uF 20% 16V | |
| C771 | 1-107-597-11 | CERAMIC 22PF 10% 500V | |
| C772 | 1-107-597-11 | CERAMIC 22PF 10% 500V | |
| C773 | 1-162-286-31 | CERAMIC 220PF 10% 50V | |
| C793 | 1-126-923-11 | ELECT 220uF 20% 10V | |
| C798 | 1-128-560-11 | ELECT 22uF 20% 100V | |
| C799 | 1-128-560-11 | ELECT 22uF 20% 100V | |

| | |
|--|--|
| The components identified by mark △ or dotted line with mark △ are critical for safety. Replace only with part number specified. | Les composants identifiés par une marque △ sont critiques pour la sécurité. Ne les remplacer que par une pièce portant le numéro spécifié. |
|--|--|

| Ref. No. | Part No. | Description | Remarks | Ref. No. | Part No. | Description | Remarks |
|----------|--------------|----------------------------------|---------|---------------|-----------------------|--|---------|
| | | < CONNECTOR > | | | | | |
| CNP704 | 1-564-320-00 | PIN, CONNECTOR (B2P-VH) 2P | | △ R775 | 1-249-408-11 | CARBON 180 5% 1/4W F | |
| * CNP705 | 1-564-242-00 | PIN, CONNECTOR 5P | | △ R776 | 1-233-352-41 | ENCAPSULATED COMPONENT 0.22X2 2W | |
| CNP706 | 1-564-320-00 | PIN, CONNECTOR (B2P-VH) 2P | | R777 | 1-247-850-11 | CARBON 6.2K 5% 1/4W | |
| CNS704 | 1-564-510-11 | PLUG, CONNECTOR 7P | | R778 | 1-249-419-11 | CARBON 1.5K 5% 1/4W F | |
| | | < DIODE > | | R782 | 1-249-437-11 | CARBON 47K 5% 1/4W | |
| D701 | 8-719-987-63 | DIODE 1N4148M | | R790 | 1-249-417-11 | CARBON 1K 5% 1/4W F | |
| D702 | 8-719-010-06 | DIODE UZ-2.2BS | | R794 | 1-249-425-11 | CARBON 4.7K 5% 1/4W F | |
| D703 | 8-719-010-06 | DIODE UZ-2.2BS | | △ R798 | 1-249-393-11 | CARBON 10 5% 1/4W F | |
| D704 | 8-719-987-63 | DIODE 1N4148M | | △ R799 | 1-249-393-11 | CARBON 10 5% 1/4W F | |
| D751 | 8-719-987-63 | DIODE 1N4148M | | ***** | | | |
| D752 | 8-719-010-06 | DIODE UZ-2.2BS | | * | A-4398-229-A | S VIDEO BOARD, COMPLETE (DE915:US,CND) | |
| D753 | 8-719-010-06 | DIODE UZ-2.2BS | | | ***** | | |
| D754 | 8-719-987-63 | DIODE 1N4148M | | * | A-4398-251-A | S VIDEO BOARD, COMPLETE (DE915:AUS,PX) | |
| | | < IC > | | | ***** | | |
| IC701 | 8-759-326-52 | IC uPC2581V | | * | A-4398-285-A | S VIDEO BOARD, COMPLETE (V909/VE910) | |
| | | < TRANSISTOR > | | | ***** | | |
| Q701 | 8-729-900-80 | TRANSISTOR DTC114ES | | < CAPACITOR > | | | |
| Q703 | 8-729-422-57 | TRANSISTOR UN4111 | | C205 | 1-130-495-00 | MYLAR 0.1uF 5% 50V | |
| Q704 | 8-729-119-76 | TRANSISTOR 2SA1175-HFE | | | (EXCEPT DE915:US,CND) | | |
| Q705 | 8-729-141-30 | TRANSISTOR 2SC3623A-LK | | C207 | 1-130-483-00 | MYLAR 0.01uF 5% 50V | |
| Q706 | 8-749-010-25 | IC MN2488-OPY-M | | | (EXCEPT DE915:US,CND) | | |
| Q707 | 8-749-010-26 | IC MP1620-OPY-M | | C209 | 1-130-495-00 | MYLAR 0.1uF 5% 50V | |
| Q708 | 8-729-140-82 | TRANSISTOR 2SA988-PAFAEA | | | (EXCEPT DE915:US,CND) | | |
| Q754 | 8-729-119-76 | TRANSISTOR 2SA1175-HFE | | C210 | 1-124-903-11 | ELECT 1uF 20% 50V | |
| Q755 | 8-729-141-30 | TRANSISTOR 2SC3623A-LK | | | (EXCEPT DE915:US,CND) | | |
| Q756 | 8-749-010-25 | IC MN2488-OPY-M | | C214 | 1-130-495-00 | MYLAR 0.1uF 5% 50V | |
| | | < RESISTOR > | | | (EXCEPT DE915:US,CND) | | |
| R701 | 1-249-417-11 | CARBON 1K 5% 1/4W F | | C215 | 1-164-159-11 | CERAMIC 0.1uF 50V | |
| R702 | 1-249-439-11 | CARBON 68K 5% 1/4W | | C216 | 1-164-159-11 | CERAMIC 0.1uF 50V | |
| R703 | 1-249-439-11 | CARBON 68K 5% 1/4W | | | (DE915:US,CND) | | |
| R704 | 1-249-406-11 | CARBON 120 5% 1/4W F | | C217 | 1-126-967-11 | ELECT 47uF 20% 16V | |
| | | (V909/VE910) | | C221 | 1-126-964-11 | ELECT 10uF 20% 50V | |
| R704 | 1-247-807-31 | CARBON 100 5% 1/4W | | | (DE915:US,CND) | | |
| | | (DE915) | | C222 | 1-162-294-31 | CERAMIC 0.001uF 10% 50V | |
| R721 | 1-249-437-11 | CARBON 47K 5% 1/4W | | | (DE915:US,CND) | | |
| R722 | 1-249-421-11 | CARBON 2.2K 5% 1/4W F | | C225 | 1-130-483-00 | MYLAR 0.01uF 5% 50V | |
| R723 | 1-249-414-11 | CARBON 560 5% 1/4W F | | | (EXCEPT DE915:US,CND) | | |
| △ R724 | 1-249-408-11 | CARBON 180 5% 1/4W F | | C226 | 1-124-907-11 | ELECT 10uF 20% 50V | |
| | | | | | (EXCEPT DE915:US,CND) | | |
| △ R725 | 1-249-408-11 | CARBON 180 5% 1/4W F | | C227 | 1-124-907-11 | ELECT 10uF 20% 50V | |
| △ R726 | 1-233-352-41 | ENCAPSULATED COMPONENT 0.22X2 2W | | | (EXCEPT DE915:US,CND) | | |
| R727 | 1-247-850-11 | CARBON 6.2K 5% 1/4W | | C229 | 1-124-903-11 | ELECT 1uF 20% 50V | |
| R728 | 1-249-419-11 | CARBON 1.5K 5% 1/4W F | | | (EXCEPT DE915:US,CND) | | |
| R732 | 1-249-437-11 | CARBON 47K 5% 1/4W | | C245 | 1-130-495-00 | MYLAR 0.1uF 5% 50V | |
| | | | | | (EXCEPT DE915:US,CND) | | |
| R751 | 1-249-417-11 | CARBON 1K 5% 1/4W F | | C278 | 1-124-903-11 | ELECT 1uF 20% 50V | |
| R752 | 1-249-439-11 | CARBON 68K 5% 1/4W | | | (EXCEPT DE915:US,CND) | | |
| R753 | 1-249-439-11 | CARBON 68K 5% 1/4W | | C261 | 1-102-074-00 | CERAMIC 0.001uF 10% 50V | |
| R754 | 1-249-406-11 | CARBON 120 5% 1/4W F | | | (DE915:US,CND) | | |
| | | (V909/VE910) | | C297 | 1-126-923-11 | ELECT 220uF 20% 10V | |
| R754 | 1-247-807-31 | CARBON 100 5% 1/4W | | | (DE915:US,CND) | | |
| | | (DE915) | | C2238 | 1-102-074-00 | CERAMIC 0.001uF 10% 50V | |
| R771 | 1-249-437-11 | CARBON 47K 5% 1/4W | | | (DE915:US,CND) | | |
| R772 | 1-249-421-11 | CARBON 2.2K 5% 1/4W F | | < JACK > | | | |
| R773 | 1-249-414-11 | CARBON 560 5% 1/4W F | | * CNJ202 | 1-564-507-11 | PLUG, CONNECTOR 4P | |
| △ R774 | 1-249-408-11 | CARBON 180 5% 1/4W F | | CNJ203 | 1-568-440-11 | SOCKET, CONNECTOR 17P | |

| | |
|--|--|
| The components identified by mark △ or dotted line with mark △ are critical for safety. Replace only with part number specified. | Les composants identifiés par une marque △ sont critiques pour la sécurité. Ne les remplacer que par une pièce portant le numéro spécifié. |
|--|--|

S VIDEO

| Ref. No. | Part No. | Description | Remarks | Ref. No. | Part No. | Description | Remarks |
|----------|--------------|--|---------|----------|--------------|--------------|------------------------------------|
| | | < CONNECTOR > | | | | < RESISTOR > | |
| CNS214 | 1-695-092-11 | SOCKET, CONNECTOR 7P | | R1 | 1-249-413-11 | CARBON 470 | 5% 1/4W F (DE915:US,CND) |
| | | < DIODE > | | R2 | 1-249-413-11 | CARBON 470 | 5% 1/4W F (DE915:US,CND) |
| D201 | 8-719-987-63 | DIODE 1N4148M (DE915:US,CND) | | R6 | 1-247-843-11 | CARBON 3.3K | 5% 1/4W (DE915:US,CND) |
| D210 | 8-719-987-63 | DIODE 1N4148M (DE915:US,CND) | | R7 | 1-249-429-11 | CARBON 10K | 5% 1/4W (DE915:US,CND) |
| | | < IC > | | R201 | 1-249-417-11 | CARBON 1K | 5% 1/4W F (DE915:US,CND) |
| IC201 | 8-759-135-80 | IC uPC358C (DE915:US,CND) | | R202 | 1-249-417-11 | CARBON 1K | 5% 1/4W F (DE915:US,CND) |
| IC203 | 8-759-061-95 | IC SN761200 (EXCEPT DE915:US,CND) | | R203 | 1-249-437-11 | CARBON 47K | 5% 1/4W (DE915:US,CND) |
| IC204 | 8-759-061-95 | IC SN761200 (EXCEPT DE915:US,CND) | | R205 | 1-247-807-31 | CARBON 100 | 5% 1/4W (EXCEPT DE915:US,CND) |
| IC223 | 8-759-388-26 | IC NJM2129D (DE915:US,CND) | | R206 | 1-247-807-31 | CARBON 100 | 5% 1/4W (EXCEPT DE915:US,CND) |
| | | < JACK > | | R214 | 1-249-429-11 | CARBON 10K | 5% 1/4W (EXCEPT DE915:US,CND) |
| J201 | 1-563-330-11 | JACK (TV/DBS) (DE915:US,CND) | | R215 | 1-249-403-11 | CARBON 68 | 5% 1/4W F (EXCEPT DE915:US,CND) |
| J202 | 1-507-967-11 | JACK (S-LINK) (DE915:US,CND) | | R218 | 1-249-403-11 | CARBON 68 | 5% 1/4W F (EXCEPT DE915:US,CND) |
| J204 | 1-537-943-11 | TERMINAL, S (MONITOR) (EXCEPT DE915:US,CND) | | R219 | 1-249-403-11 | CARBON 68 | 5% 1/4W F (EXCEPT DE915:US,CND) |
| J205 | 1-537-943-11 | TERMINAL, S (LD VIDEO IN) (EXCEPT DE915:US,CND) | | R220 | 1-249-409-11 | CARBON 220 | 5% 1/4W F (EXCEPT DE915:US,CND) |
| J207 | 1-691-964-11 | CONNECTOR (ROUND TYPE) (VIDEO 1 IN) (EXCEPT DE915:US,CND) | | R221 | 1-249-414-11 | CARBON 560 | 5% 1/4W F (DE915:US,CND) |
| J212 | 1-563-330-11 | JACK (VIDEO 1) (DE915:US,CND) | | R222 | 1-249-414-11 | CARBON 560 | 5% 1/4W F (DE915:US,CND) |
| J213 | 1-563-330-11 | JACK (VIDEO 2) (DE915:US,CND) | | R223 | 1-249-409-11 | CARBON 220 | 5% 1/4W F (EXCEPT DE915:US,CND) |
| J214 | 1-563-330-11 | JACK (MONITOR) (DE915:US,CND) | | R224 | 1-249-433-11 | CARBON 22K | 5% 1/4W (DE915:US,CND) |
| | | < COIL > | | R225 | 1-249-427-11 | CARBON 6.8K | 5% 1/4W F (DE915:US,CND) |
| L203 | 1-410-521-11 | INDUCTOR 100uH | | R228 | 1-249-411-11 | CARBON 330 | 5% 1/4W (EXCEPT DE915:US,CND) |
| | | < TRANSISTOR > | | R229 | 1-249-417-11 | CARBON 1K | 5% 1/4W F (DE915:US,CND) |
| Q1 | 8-729-119-76 | TRANSISTOR 2SA1175-HFE (EXCEPT DE915:US,CND) | | R230 | 1-249-411-11 | CARBON 330 | 5% 1/4W (EXCEPT DE915:US,CND) |
| Q201 | 8-729-422-57 | TRANSISTOR UN4111 (EXCEPT DE915:US,CND) | | R233 | 1-249-426-11 | CARBON 5.6K | 5% 1/4W (EXCEPT DE915:US,CND) |
| Q205 | 8-729-119-76 | TRANSISTOR 2SA1175-HFE (DE915:US,CND) | | R234 | 1-249-426-11 | CARBON 5.6K | 5% 1/4W (EXCEPT DE915:US,CND) |
| Q206 | 8-729-119-76 | TRANSISTOR 2SA1175-HFE (EXCEPT DE915:US,CND) | | R236 | 1-249-429-11 | CARBON 10K | 5% 1/4W (EXCEPT DE915:US,CND) |
| Q207 | 8-729-620-05 | TRANSISTOR 2SC2603-EF (EXCEPT DE915:US,CND) | | R238 | 1-249-403-11 | CARBON 68 | 5% 1/4W F (EXCEPT DE915:US,CND) |
| Q208 | 8-729-620-05 | TRANSISTOR 2SC2603-EF (EXCEPT DE915:US,CND) | | R239 | 1-249-403-11 | CARBON 68 | 5% 1/4W F (EXCEPT DE915:US,CND) |
| Q209 | 8-729-620-05 | TRANSISTOR 2SC2603TP-EF (DE915:US,CND) | | R240 | 1-249-403-11 | CARBON 68 | 5% 1/4W F (EXCEPT DE915:US,CND) |
| Q210 | 8-729-119-76 | TRANSISTOR 2SA1175-HFE (EXCEPT DE915:US,CND) | | R241 | 1-249-417-11 | CARBON 1K | 5% 1/4W F (DE915:US,CND) |
| Q211 | 8-729-119-76 | TRANSISTOR 2SA1175-HFE (EXCEPT DE915:US,CND) | | R243 | 1-249-419-11 | CARBON 1.5K | 5% 1/4W F (EXCEPT DE915:US,CND) |
| Q212 | 8-729-620-05 | TRANSISTOR 2SC2603TP-EF (DE915:US,CND) | | R244 | 1-249-419-11 | CARBON 1.5K | 5% 1/4W F (EXCEPT DE915:US,CND) |
| Q213 | 8-729-119-76 | TRANSISTOR 2SA1175-HFE (DE915:US,CND) | | R245 | 1-249-417-11 | CARBON 1K | 5% 1/4W F (DE915:US,CND) |
| Q220 | 8-729-620-05 | TRANSISTOR 2SC2603TP-EF (DE915:US,CND) | | | | | |
| Q222 | 8-729-119-76 | TRANSISTOR 2SA1175-HFE (DE915:US,CND) | | | | | |
| Q223 | 8-729-620-05 | TRANSISTOR 2SC2603TP-EF (DE915:US,CND) | | | | | |
| Q225 | 8-729-119-76 | TRANSISTOR 2SA1175-HFE (DE915:US,CND) | | | | | |
| Q226 | 8-729-119-76 | TRANSISTOR 2SA1175-HFE (DE915:US,CND) | | | | | |

S VIDEO

S-A-P

SECONDARY

SP (2F)

| Ref. No. | Part No. | Description | Remarks |
|----------|--------------|-------------------------------|---------------------------------------|
| R247 | 1-249-403-11 | CARBON | 68 5% 1/4W F (EXCEPT DE915:US,CND) |
| R248 | 1-249-403-11 | CARBON | 68 5% 1/4W F (EXCEPT DE915:US,CND) |
| R251 | 1-249-403-11 | CARBON | 68 5% 1/4W F (EXCEPT DE915:US,CND) |
| R254 | 1-249-430-11 | CARBON | 12K 5% 1/4W (EXCEPT DE915:US,CND) |
| R255 | 1-249-430-11 | CARBON | 12K 5% 1/4W (EXCEPT DE915:US,CND) |
| R257 | 1-249-403-11 | CARBON | 68 5% 1/4W F (EXCEPT DE915:US,CND) |
| R256 | 1-249-417-11 | CARBON | 1K 5% 1/4W F (DE915:US,CND) |
| R291 | 1-249-429-11 | CARBON | 10K 5% 1/4W (DE915:US,CND) |
| R292 | 1-249-393-11 | CARBON | 10 5% 1/4W F (DE915:US,CND) |
| R293 | 1-249-429-11 | CARBON | 10K 5% 1/4W (DE915:US,CND) |
| R294 | 1-249-425-11 | CARBON | 4.7K 5% 1/4W F (DE915:US,CND) |
| R297 | 1-247-843-11 | CARBON | 3.3K 5% 1/4W (DE915:US,CND) |
| R298 | 1-249-429-11 | CARBON | 10K 5% 1/4W (DE915:US,CND) |
| R299 | 1-249-417-11 | CARBON | 1K 5% 1/4W F (DE915:US,CND) |
| R2015 | 1-247-807-31 | CARBON | 100 5% 1/4W (DE915:US,CND) |
| R2020 | 1-247-807-31 | CARBON | 100 5% 1/4W (DE915:US,CND) |
| ***** | | | |
| * | 1-665-787-11 | S-A-P BOARD | ***** |
| | | < CONNECTOR > | |
| CNP703 | 1-695-089-11 | PIN, CONNECTOR (PC BOARD) 11P | |
| CNS702 | 1-695-096-11 | SOCKET, CONNECTOR 15P | |
| CNS905 | 1-695-092-11 | SOCKET, CONNECTOR 7P | |
| ***** | | | |
| * | 1-665-783-12 | SECONDARY BOARD | ***** |
| | 1-533-399-31 | HOLDER, FUSE | |
| | | < CAPACITOR > | |
| C801 | 1-104-664-11 | ELECT | 47uF 20% 25V |
| C805 | 1-137-424-11 | FILM | 0.22uF 10% 100V |
| C806 | 1-137-424-11 | FILM | 0.22uF 10% 100V |
| △ C850 | 1-137-416-11 | FILM | 0.01uF 10% 100V |
| △ C851 | 1-137-416-11 | FILM | 0.01uF 10% 100V |
| | | < CONNECTOR > | |
| * CNP801 | 1-564-905-11 | PIN, CONNECTOR 9P | |
| CNP811 | 1-691-765-11 | PLUG (MICRO CONNECTOR) 3P | |
| | | < DIODE > | |
| D801 | 8-719-302-38 | DIODE | RBV-602-01 |
| D802 | 8-719-024-99 | DIODE | 11ES2-NTA2B |
| D803 | 8-719-024-99 | DIODE | 11ES2-NTA2B |
| D804 | 8-719-024-99 | DIODE | 11ES2-NTA2B |
| D805 | 8-719-024-99 | DIODE | 11ES2-NTA2B |

| Ref. No. | Part No. | Description | Remarks |
|----------|--------------|---|-------------------------------------|
| D806 | 8-719-014-66 | DIODE | UZP-5.6B |
| D851 | 8-719-302-38 | DIODE | RBV-602-01 |
| | | < FUSE > | |
| △ F950 | 1-532-506-51 | FUSE | 6.3A 250V (DE915:AUS,PX/V909/VE910) |
| △ F950 | 1-533-311-11 | FUSE, GLASS CYLINDRICAL 8A 125V (DIA.5) | (DE915:US,CND) |
| △ F951 | 1-532-506-51 | FUSE | 6.3A 250V (DE915:AUS,PX/V909/VE910) |
| △ F951 | 1-533-311-11 | FUSE, GLASS CYLINDRICAL 8A 125V (DIA.5) | (DE915:US,CND) |
| | | < TRANSFORMER > | |
| △ T901 | 1-431-281-11 | TRANSFORMER, POWER (DE915:US) | |
| △ T901 | 1-431-282-11 | TRANSFORMER, POWER (DE915:CND) | |
| △ T901 | 1-431-283-11 | TRANSFORMER, POWER (DE915:AUS) | |
| △ T901 | 1-431-284-11 | TRANSFORMER, POWER (DE915:PX) | |
| △ T901 | 1-431-285-11 | TRANSFORMER, POWER | (V909/VE910:E,SP,MY) |
| △ T901 | 1-431-286-11 | TRANSFORMER, POWER | (VE910:AEP,UK,G,AED,EE) |
| ***** | | | |
| * | A-4398-235-A | SP (2F) BOARD, COMPLETE (VE910:AEP,UK,G, | AED,EE) |
| * | A-4398-250-A | SP (2F) BOARD, COMPLETE (DE915:AUS) | |
| * | A-4398-262-A | SP (2F) BOARD, COMPLETE (DE915:US,CND, | PX) |
| * | A-4398-295-A | SP (2F) BOARD, COMPLETE (V909/VE910:E,SP, | MY) |
| | | < CAPACITOR > | |
| C624 | 1-126-964-11 | ELECT | 10uF 20% 50V |
| C625 | 1-136-157-00 | FILM | 0.022uF 5% 50V |
| C626 | 1-136-153-00 | FILM | 0.01uF 5% 50V |
| C706 | 1-126-951-11 | ELECT | 470uF 20% 35V |
| C707 | 1-104-664-11 | ELECT | 47uF 20% 25V |
| C724 | 1-126-964-11 | ELECT | 10uF 20% 50V |
| C725 | 1-136-157-00 | FILM | 0.022uF 5% 50V |
| C726 | 1-136-153-00 | FILM | 0.01uF 5% 50V |
| C775 | 1-136-157-00 | FILM | 0.022uF 5% 50V |
| | | < JACK > | |
| CNJ701 | 1-774-136-11 | CONNECTOR, ROUND TYPE 6P | |
| | | < CONNECTOR > | |
| CNP603 | 1-564-320-00 | PIN, CONNECTOR (B2P-VH) 2P | (WIRELESS REAR SPEAKER) |
| CNS703 | 1-695-094-11 | SOCKET, CONNECTOR 11P | |
| | | < DIODE > | |
| D543 | 8-719-987-63 | DIODE | 1N4148M |
| D605 | 8-719-987-63 | DIODE | 1N4148M |
| D606 | 8-719-987-63 | DIODE | 1N4148M |
| D607 | 8-719-987-63 | DIODE | 1N4148M |
| D649 | 8-719-987-63 | DIODE | 1N4148M |

| | |
|--|--|
| The components identified by mark △ or dotted line with mark △ are critical for safety. Replace only with part number specified. | Les composants identifiés par une marque △ sont critiques pour la sécurité. Ne les remplacer que par une pièce portant le numéro spécifié. |
|--|--|

SP (2F)

SP SW

SUR

| Ref. No. | Part No. | Description | Remarks |
|----------|--------------|-----------------------------|---------|
| D705 | 8-719-987-63 | DIODE 1N4148M | |
| D706 | 8-719-987-63 | DIODE 1N4148M | |
| D707 | 8-719-002-06 | DIODE UZL-18L | |
| D749 | 8-719-987-63 | DIODE 1N4148M | |
| | | < JACK > | |
| J501 | 1-770-377-31 | JACK, PIN 1P (WOOFER) | |
| | | < COIL > | |
| L601 | 1-411-906-11 | COIL, AIR-CORE (V909/VE910) | |
| L601 | 1-420-872-00 | COIL, AIR-CORE (DE915) | |
| L701 | 1-411-906-11 | COIL, AIR-CORE (V909/VE910) | |
| L701 | 1-420-872-00 | COIL, AIR-CORE (DE915) | |
| L751 | 1-411-906-11 | COIL, AIR-CORE (V909/VE910) | |
| L751 | 1-420-872-00 | COIL, AIR-CORE (DE915) | |
| | | < TRANSISTOR > | |
| Q544 | 8-729-119-79 | TRANSISTOR 2SC2785-FEK | |
| Q609 | 8-729-281-53 | TRANSISTOR 2SC1815-GR | |
| Q610 | 8-729-900-63 | TRANSISTOR DTA124ES | |
| Q611 | 8-729-900-63 | TRANSISTOR DTA124ES | |
| Q645 | 8-729-119-79 | TRANSISTOR 2SC2785-FEK | |
| Q709 | 8-729-281-53 | TRANSISTOR 2SC1815-GR | |
| Q710 | 8-729-900-63 | TRANSISTOR DTA124ES | |
| Q745 | 8-729-119-79 | TRANSISTOR 2SC2785-FEK | |
| Q748 | 8-729-209-15 | TRANSISTOR 2SD2012 | |
| | | < RESISTOR > | |
| R543 | 1-249-429-11 | CARBON 10K 5% 1/4W | |
| R544 | 1-249-425-11 | CARBON 4.7K 5% 1/4W | F |
| △ R545 | 1-249-393-11 | CARBON 10 5% 1/4W | F |
| R546 | 1-249-425-11 | CARBON 4.7K 5% 1/4W | F |
| R629 | 1-247-866-11 | CARBON 30K 5% 1/4W | |
| R630 | 1-249-421-11 | CARBON 2.2K 5% 1/4W | F |
| R631 | 1-249-433-11 | CARBON 22K 5% 1/4W | |
| R632 | 1-249-433-11 | CARBON 22K 5% 1/4W | |
| △ R633 | 1-249-393-11 | CARBON 10 5% 1/4W | F |
| △ R634 | 1-249-389-11 | CARBON 4.7 5% 1/4W | F |
| R635 | 1-249-431-11 | CARBON 15K 5% 1/4W | |
| R647 | 1-249-429-11 | CARBON 10K 5% 1/4W | |
| R648 | 1-249-425-11 | CARBON 4.7K 5% 1/4W | F |
| △ R649 | 1-249-393-11 | CARBON 10 5% 1/4W | F |
| R729 | 1-247-866-11 | CARBON 30K 5% 1/4W | |
| R730 | 1-249-421-11 | CARBON 2.2K 5% 1/4W | F |
| R731 | 1-249-433-11 | CARBON 22K 5% 1/4W | |
| △ R733 | 1-249-393-11 | CARBON 10 5% 1/4W | F |
| △ R734 | 1-249-389-11 | CARBON 4.7 5% 1/4W | F |
| R735 | 1-249-431-11 | CARBON 15K 5% 1/4W | |
| R737 | 1-249-429-11 | CARBON 10K 5% 1/4W | |
| R738 | 1-247-887-00 | CARBON 220K 5% 1/4W | |
| R746 | 1-249-417-11 | CARBON 1K 5% 1/4W | F |
| R747 | 1-249-429-11 | CARBON 10K 5% 1/4W | |
| R748 | 1-249-425-11 | CARBON 4.7K 5% 1/4W | F |
| △ R749 | 1-249-393-11 | CARBON 10 5% 1/4W | F |
| △ R783 | 1-249-393-11 | CARBON 10 5% 1/4W | F |
| △ R784 | 1-249-389-11 | CARBON 4.7 5% 1/4W | F |
| R787 | 1-249-429-11 | CARBON 10K 5% 1/4W | |
| R788 | 1-247-887-00 | CARBON 220K 5% 1/4W | |

| Ref. No. | Part No. | Description | Remarks |
|----------|--------------|---|---------|
| | | < RELAY > | |
| RY503 | 1-515-793-11 | RELAY | |
| RY601 | 1-515-920-11 | RELAY (24V) | |
| RY701 | 1-515-920-11 | RELAY (24V) | |
| | | < SWITCH > | |
| S501 | 1-692-196-11 | SWITCH, SLIDE (IMP SELECTOR)(DE915) | |
| | | < TERMINAL > | |
| TM501 | 1-537-881-11 | TERMINAL BOARD (6P) (SURROUND SPEAKERS) | |
| ***** | | | |
| * | 1-665-775-11 | SP SW BOARD ***** | |
| | | < CONNECTOR > | |
| * CNS101 | 1-695-808-11 | CONNECTOR, PC BOARD 8P | |
| | | < DIODE > | |
| D152 | 8-719-987-63 | DIODE 1N4148M | |
| D153 | 8-719-987-63 | DIODE 1N4148M | |
| | | < SWITCH > | |
| S136 | 1-762-751-11 | SWITCH, TACTILE (DPC MODE) | |
| S152 | 1-554-118-00 | SWITCH, PUSH (1 KEY) (POWER)(V909/VE910) | |
| S155 | 1-762-268-11 | SWITCH, ROTARY (SPEAKERS) | |
| ***** | | | |
| * | A-4398-236-A | SUR BOARD, COMPLETE (VE910:AEP,UK,G, ***** AED,EE) | |
| * | A-4398-266-A | SUR BOARD, COMPLETE (DE915:US,CND,PX) ***** | |
| * | A-4398-279-A | SUR BOARD, COMPLETE (V909/VE910:E,SP, ***** MY) | |
| * | A-4398-287-A | SUR BOARD, COMPLETE (DE915:AUS) ***** | |
| | | < CAPACITOR > | |
| C301 | 1-126-963-11 | ELECT 4.7uF 20% 50V | |
| C302 | 1-162-282-31 | CERAMIC 100PF 10% 50V | |
| C303 | 1-126-967-11 | ELECT 47uF 20% 16V | |
| C304 | 1-130-480-00 | MYLAR 0.0056uF 5% 50V | |
| C305 | 1-106-347-00 | MYLAR 1500PF 5% 200V | |
| C306 | 1-126-960-11 | ELECT 1uF 20% 50V | |
| C307 | 1-164-159-11 | CERAMIC 0.1uF 50V | |
| C351 | 1-126-963-11 | ELECT 4.7uF 20% 50V | |
| C352 | 1-162-282-31 | CERAMIC 100PF 10% 50V | |
| C353 | 1-126-967-11 | ELECT 47uF 20% 16V | |
| C354 | 1-130-480-00 | MYLAR 0.0056uF 5% 50V | |
| C355 | 1-106-347-00 | MYLAR 1500PF 5% 200V | |
| C356 | 1-126-960-11 | ELECT 1uF 20% 50V | |
| C357 | 1-164-159-11 | CERAMIC 0.1uF 50V | |
| C394 | 1-126-967-11 | ELECT 47uF 20% 16V | |
| C395 | 1-126-967-11 | ELECT 47uF 20% 16V | |
| C396 | 1-164-070-11 | CERAMIC 100PF 5% 50V | |
| C397 | 1-162-294-31 | CERAMIC 0.001uF 10% 50V | |
| C401 | 1-128-547-11 | ELECT 6800uF 20% 16V | |
| C402 | 1-126-935-11 | ELECT 470uF 20% 16V | |

| | |
|--|--|
| The components identified by mark \triangle or dotted line with mark \triangle are critical for safety. Replace only with part number specified. | Les composants identifiés par une marque \triangle sont critiques pour la sécurité. Ne les remplacer que par une pièce portant le numéro spécifié. |
|--|--|

| Ref. No. | Part No. | Description | Remarks | Ref. No. | Part No. | Description | Remarks |
|----------|--------------|---------------------------|--|----------|--------------|---|---------|
| C403 | 1-126-935-11 | ELECT | 470uF 20% 16V | CNP305 | 1-695-088-11 | PIN, CONNECTOR (PC BOARD) 9P | |
| C407 | 1-126-964-11 | ELECT | 10uF 20% 50V | CNP806 | 1-564-320-00 | PIN, CONNECTOR (B2P-VH) 2P (V909/VE910) | |
| C408 | 1-164-159-11 | CERAMIC | 0.1uF 50V | CNS401 | 1-569-323-11 | SOCKET, CONNECTOR 19P | |
| C409 | 1-130-495-00 | MYLAR | 0.1uF 5% 50V | CNS403 | 1-569-324-11 | SOCKET, CONNECTOR 21P | |
| C410 | 1-130-495-00 | MYLAR | 0.1uF 5% 50V | | | | |
| C457 | 1-126-964-11 | ELECT | 10uF 20% 50V | CNS404 | 1-691-765-11 | PLUG (MICRO CONNECTOR) 3P | |
| C458 | 1-164-159-11 | CERAMIC | 0.1uF 50V | CNS405 | 1-691-767-11 | PLUG (MICRO CONNECTOR) 5P | |
| C501 | 1-126-964-11 | ELECT | 10uF 20% 50V | CNS406 | 1-691-768-11 | PLUG (MICRO CONNECTOR) 6P | |
| C502 | 1-164-070-11 | CERAMIC | 100PF 5% 50V | CNS501 | 1-770-404-11 | HOUSING,CONNECTOR(PC BOARD)11P | |
| C503 | 1-107-601-11 | CERAMIC | 33PF 5% 500V | CNS601 | 1-770-404-11 | HOUSING,CONNECTOR(PC BOARD)11P | |
| C504 | 1-164-040-11 | CERAMIC | 4PF 0.25PF 50V | | | < DIODE > | |
| C505 | 1-126-933-11 | ELECT | 100uF 20% 16V | D401 | 8-719-987-63 | DIODE 1N4148M | |
| C551 | 1-126-964-11 | ELECT | 10uF 20% 50V | D402 | 8-719-200-82 | DIODE 11ES2 | |
| C552 | 1-164-070-11 | CERAMIC | 100PF 5% 50V | D403 | 8-719-200-82 | DIODE 11ES2 | |
| C553 | 1-107-601-11 | CERAMIC | 33PF 5% 500V | | | < IC > | |
| C554 | 1-164-040-11 | CERAMIC | 4PF 0.25PF 50V | IC301 | 8-759-805-14 | IC LC7822 | |
| C555 | 1-126-933-11 | ELECT | 100uF 20% 16V | IC302 | 8-759-636-74 | IC M5218AP-22 | |
| C593 | 1-126-923-11 | ELECT | 220uF 20% 10V | IC304 | 8-759-636-74 | IC M5218AP-22 | |
| C594 | 1-128-560-11 | ELECT | 22uF 20% 100V | IC401 | 8-759-231-53 | IC TA7805S | |
| C595 | 1-128-560-11 | ELECT | 22uF 20% 100V | IC402 | 8-759-231-53 | IC TA7805S | |
| C601 | 1-126-964-11 | ELECT | 10uF 20% 50V | IC501 | 8-759-326-52 | IC uPC2581V | |
| C602 | 1-162-282-31 | CERAMIC | 100PF 10% 50V | IC601 | 8-749-011-16 | IC STK350-230 | |
| C603 | 1-102-989-00 | CERAMIC | 68PF 5% 500V | IC602 | 8-759-636-74 | IC M5218AP-22 | |
| C604 | 1-164-040-11 | CERAMIC | 4PF 0.25PF 50V | | | < JACK > | |
| C605 | 1-126-967-11 | ELECT | 47uF 20% 16V | J301 | 1-774-725-11 | JACK, PIN 2P (PHONO) (V909/VE910) | |
| C606 | 1-102-989-00 | CERAMIC | 68PF 5% 500V | J302 | 1-766-394-11 | JACK, PIN 6P (TAPE,DAT/MD IN) | |
| C607 | 1-126-964-11 | ELECT | 10uF 20% 50V | J303 | 1-766-394-11 | JACK, PIN 6P (DAT/MD OUT,CD,PHONO) | |
| CC01 | 1-162-282-31 | CERAMIC | 100PF 10% 50V (DE915:AUS/VE910:AEP,UK,G,AED,EE) | | | < TRANSISTOR > | |
| CC02 | 1-162-286-31 | CERAMIC | 220PF 10% 50V (DE915:AUS/VE910:AEP,UK,G,AED,EE) | Q401 | 8-729-141-30 | TRANSISTOR 2SC3623A-LK | |
| CC03 | 1-162-282-31 | CERAMIC | 100PF 10% 50V (DE915:AUS/VE910:AEP,UK,G,AED,EE) | Q410 | 8-729-620-05 | TRANSISTOR 2SC2603-EF | |
| CC04 | 1-162-282-31 | CERAMIC | 100PF 10% 50V (DE915:AUS/VE910:AEP,UK,G,AED,EE) | Q411 | 8-729-119-76 | TRANSISTOR 2SA1175-HFE | |
| CC05 | 1-162-282-31 | CERAMIC | 100PF 10% 50V (DE915:AUS/VE910:AEP,UK,G,AED,EE) | Q451 | 8-729-141-30 | TRANSISTOR 2SC3623A-LK | |
| CC06 | 1-162-282-31 | CERAMIC | 100PF 10% 50V (DE915:AUS/VE910:AEP,UK,G,AED,EE) | Q503 | 8-729-422-57 | TRANSISTOR UN4111 | |
| CC07 | 1-162-282-31 | CERAMIC | 100PF 10% 50V (DE915:AUS/VE910:AEP,UK,G,AED,EE) | Q504 | 8-729-900-80 | TRANSISTOR DTC114ES | |
| CC08 | 1-162-282-31 | CERAMIC | 100PF 10% 50V (DE915:AUS/VE910:AEP,UK,G,AED,EE) | | | < RESISTOR > | |
| CC51 | 1-162-282-31 | CERAMIC | 100PF 10% 50V (DE915:AUS/VE910:AEP,UK,G,AED,EE) | R301 | 1-249-409-11 | CARBON 220 5% 1/4W F | |
| CC52 | 1-162-286-31 | CERAMIC | 220PF 10% 50V (DE915:AUS/VE910:AEP,UK,G,AED,EE) | R302 | 1-249-441-11 | CARBON 100K 5% 1/4W | |
| CC53 | 1-162-282-31 | CERAMIC | 100PF 10% 50V (DE915:AUS/VE910:AEP,UK,G,AED,EE) | R303 | 1-249-441-11 | CARBON 100K 5% 1/4W | |
| CC54 | 1-162-282-31 | CERAMIC | 100PF 10% 50V (DE915:AUS/VE910:AEP,UK,G,AED,EE) | R304 | 1-249-416-11 | CARBON 820 5% 1/4W F | |
| CC55 | 1-162-282-31 | CERAMIC | 100PF 10% 50V (DE915:AUS/VE910:AEP,UK,G,AED,EE) | R305 | 1-247-897-11 | CARBON 560K 5% 1/4W | |
| CC56 | 1-162-282-31 | CERAMIC | 100PF 10% 50V (DE915:AUS/VE910:AEP,UK,G,AED,EE) | R306 | 1-249-437-11 | CARBON 47K 5% 1/4W | |
| CC57 | 1-162-282-31 | CERAMIC | 100PF 10% 50V (DE915:AUS/VE910:AEP,UK,G,AED,EE) | R307 | 1-249-441-11 | CARBON 100K 5% 1/4W | |
| CC58 | 1-162-282-31 | CERAMIC | 100PF 10% 50V (DE915:AUS/VE910:AEP,UK,G,AED,EE) | R308 | 1-247-807-31 | CARBON 100 5% 1/4W | |
| | | < CONNECTOR > | | R309 | 1-249-417-11 | CARBON 1K 5% 1/4W F (V909/VE910) | |
| CNP250 | 1-691-765-11 | PLUG (MICRO CONNECTOR) 3P | | R310 | 1-249-417-11 | CARBON 1K 5% 1/4W F | |
| | | | | R311 | 1-249-417-11 | CARBON 1K 5% 1/4W F | |
| | | | | R312 | 1-249-417-11 | CARBON 1K 5% 1/4W F | |
| | | | | R313 | 1-249-417-11 | CARBON 1K 5% 1/4W F | |
| | | | | R314 | 1-249-417-11 | CARBON 1K 5% 1/4W F | |
| | | | | R315 | 1-249-437-11 | CARBON 47K 5% 1/4W | |
| | | | | R351 | 1-249-409-11 | CARBON 220 5% 1/4W F | |
| | | | | R352 | 1-249-441-11 | CARBON 100K 5% 1/4W | |
| | | | | R353 | 1-249-441-11 | CARBON 100K 5% 1/4W | |
| | | | | R354 | 1-249-416-11 | CARBON 820 5% 1/4W F | |

| | | |
|------------|-----------------------|-----------|
| SUR | SUR-AUDIO (2F) | SW |
|------------|-----------------------|-----------|

| Ref. No. | Part No. | Description | Remarks |
|-----------|--------------|-------------|--|
| R355 | 1-247-897-11 | CARBON 560K | 5% 1/4W |
| R356 | 1-249-437-11 | CARBON 47K | 5% 1/4W |
| R357 | 1-249-441-11 | CARBON 100K | 5% 1/4W |
| R358 | 1-247-807-31 | CARBON 100 | 5% 1/4W |
| R359 | 1-249-417-11 | CARBON 1K | 5% 1/4W F (V909/VE910) |
| R360 | 1-249-417-11 | CARBON 1K | 5% 1/4W F |
| R361 | 1-249-417-11 | CARBON 1K | 5% 1/4W F |
| R362 | 1-249-417-11 | CARBON 1K | 5% 1/4W F |
| R363 | 1-249-417-11 | CARBON 1K | 5% 1/4W F |
| R394 | 1-247-807-31 | CARBON 100 | 5% 1/4W |
| R395 | 1-247-807-31 | CARBON 100 | 5% 1/4W |
| R396 | 1-249-417-11 | CARBON 1K | 5% 1/4W F |
| R397 | 1-249-425-11 | CARBON 4.7K | 5% 1/4W F |
| R412 | 1-249-425-11 | CARBON 4.7K | 5% 1/4W F |
| R449 | 1-249-425-11 | CARBON 4.7K | 5% 1/4W F |
| R450 | 1-249-441-11 | CARBON 100K | 5% 1/4W |
| R462 | 1-249-425-11 | CARBON 4.7K | 5% 1/4W F |
| R483 | 1-249-441-11 | CARBON 100K | 5% 1/4W |
| R484 | 1-249-429-11 | CARBON 10K | 5% 1/4W |
| R486 | 1-249-437-11 | CARBON 47K | 5% 1/4W |
| R490 | 1-249-433-11 | CARBON 22K | 5% 1/4W (DE915) |
| R491 | 1-249-429-11 | CARBON 10K | 5% 1/4W (DE915) |
| R492 | 1-249-416-11 | CARBON 820 | 5% 1/4W F (DE915) |
| R501 | 1-249-417-11 | CARBON 1K | 5% 1/4W F |
| R502 | 1-249-439-11 | CARBON 68K | 5% 1/4W |
| R503 | 1-249-439-11 | CARBON 68K | 5% 1/4W |
| R504 | 1-247-820-11 | CARBON 360 | 5% 1/4W (V909/VE910) |
| R504 | 1-249-411-11 | CARBON 330 | 5% 1/4W (DE915) |
| R551 | 1-249-417-11 | CARBON 1K | 5% 1/4W F |
| R552 | 1-249-439-11 | CARBON 68K | 5% 1/4W |
| R553 | 1-249-439-11 | CARBON 68K | 5% 1/4W |
| R554 | 1-247-820-11 | CARBON 360 | 5% 1/4W (V909/VE910) |
| R554 | 1-249-411-11 | CARBON 330 | 5% 1/4W (DE915) |
| R590 | 1-249-417-11 | CARBON 1K | 5% 1/4W F |
| △R592 | 1-249-381-11 | CARBON 1 | 5% 1/4W F |
| △R593 | 1-249-381-11 | CARBON 1 | 5% 1/4W F |
| R601 | 1-249-417-11 | CARBON 1K | 5% 1/4W F |
| R602 | 1-249-439-11 | CARBON 68K | 5% 1/4W |
| R603 | 1-249-406-11 | CARBON 120 | 5% 1/4W F (V909/VE910) |
| R603 | 1-247-807-31 | CARBON 100 | 5% 1/4W (DE915) |
| R604 | 1-249-439-11 | CARBON 68K | 5% 1/4W |
| R605 | 1-249-413-11 | CARBON 470 | 5% 1/4W F |
| R606 | 1-249-439-11 | CARBON 68K | 5% 1/4W |
| R607 | 1-249-417-11 | CARBON 1K | 5% 1/4W F |
| R608 | 1-249-431-11 | CARBON 15K | 5% 1/4W |
| RR01 | 1-249-418-11 | CARBON 1.2K | 5% 1/4W F (DE915:AUS/VE910:AEP,UK,G,AED,EE) |
| RR51 | 1-249-418-11 | CARBON 1.2K | 5% 1/4W F (DE915:AUS/VE910:AEP,UK,G,AED,EE) |
| < RELAY > | | | |
| RY401 | 1-515-614-11 | RELAY | |

| Ref. No. | Part No. | Description | Remarks |
|---------------|--------------|--------------------------------|-------------------|
| < TERMINAL > | | | |
| TM401 | 1-694-266-11 | TERMINAL BOARD, ANT (ANTENNA) | (DE915:AUS) |
| TM401 | 1-694-265-11 | TERMINAL BOARD, ANT (ANTENNA) | (DE915:US,CND,PX) |
| < TUNER > | | | |
| TU401 | 1-693-377-11 | TUNER (DE915:AUS) | |
| TU401 | 1-233-592-11 | ENCAPSULATED COMPONENT | (DE915:US,CND,PX) |
| ***** | | | |
| * | 1-665-776-11 | SUR-AUDIO (2F) BOARD | ***** |
| < CONNECTOR > | | | |
| CNP302 | 1-695-088-11 | PIN, CONNECTOR (PC BOARD) 9P | |
| CNS303 | 1-695-093-11 | SOCKET, CONNECTOR 9P | |
| ***** | | | |
| * | 1-665-780-11 | SW BOARD | ***** |
| < CONNECTOR > | | | |
| CNP103 | 1-770-397-11 | HOUSING, CONNECTOR(PC BOARD)4P | |
| < RESISTOR > | | | |
| R169 | 1-249-411-11 | CARBON 330 | 5% 1/4W |
| R170 | 1-249-413-11 | CARBON 470 | 5% 1/4W F |
| R171 | 1-249-415-11 | CARBON 680 | 5% 1/4W F |
| R172 | 1-249-417-11 | CARBON 1K | 5% 1/4W F |
| R173 | 1-249-419-11 | CARBON 1.5K | 5% 1/4W F |
| R174 | 1-249-421-11 | CARBON 2.2K | 5% 1/4W F |
| R175 | 1-249-425-11 | CARBON 4.7K | 5% 1/4W F |
| R176 | 1-249-411-11 | CARBON 330 | 5% 1/4W |
| R177 | 1-249-413-11 | CARBON 470 | 5% 1/4W F |
| R178 | 1-249-415-11 | CARBON 680 | 5% 1/4W F |
| R179 | 1-249-417-11 | CARBON 1K | 5% 1/4W F |
| R180 | 1-249-419-11 | CARBON 1.5K | 5% 1/4W F |
| R181 | 1-249-421-11 | CARBON 2.2K | 5% 1/4W F |
| R182 | 1-249-411-11 | CARBON 330 | 5% 1/4W |
| R183 | 1-249-413-11 | CARBON 470 | 5% 1/4W F |
| R184 | 1-249-415-11 | CARBON 680 | 5% 1/4W F |
| R185 | 1-249-417-11 | CARBON 1K | 5% 1/4W F |
| R186 | 1-249-419-11 | CARBON 1.5K | 5% 1/4W F |
| R187 | 1-249-421-11 | CARBON 2.2K | 5% 1/4W F |
| < SWITCH > | | | |
| S101 | 1-762-751-11 | SWITCH, TACTILE (1) (DE915) | |
| S102 | 1-762-751-11 | SWITCH, TACTILE (4) (DE915) | |
| S103 | 1-762-751-11 | SWITCH, TACTILE (7) (DE915) | |
| S104 | 1-762-751-11 | SWITCH, TACTILE (0) (DE915) | |
| S105 | 1-762-751-11 | SWITCH, TACTILE (DIRECT PASS) | |
| S106 | 1-762-751-11 | SWITCH, TACTILE (GENRE) | |
| S107 | 1-762-751-11 | SWITCH, TACTILE (SET UP) | |
| S108 | 1-762-751-11 | SWITCH, TACTILE (MODE) | |
| S109 | 1-762-751-11 | SWITCH, TACTILE (2) (DE915) | |
| S110 | 1-762-751-11 | SWITCH, TACTILE (5) (DE915) | |

| | |
|--|--|
| The components identified by mark △ or dotted line with mark △ are critical for safety. Replace only with part number specified. | Les composants identifiés par une marque △ sont critiques pour la sécurité. Ne les remplacer que par une pièce portant le numéro spécifié. |
|--|--|

| Ref. No. | Part No. | Description | Remarks | Ref. No. | Part No. | Description | Remarks |
|----------|--------------|--|---------|----------|--------------|---|---------|
| S111 | 1-762-751-11 | SWITCH, TACTILE (8) (DE915) | | Q216 | 8-729-620-05 | TRANSISTOR 2SC2603-EF | |
| S112 | 1-762-751-11 | SWITCH, TACTILE (DIRECT) (DE915) | | Q217 | 8-729-119-76 | TRANSISTOR 2SA1175-HFE | |
| S113 | 1-762-751-11 | SWITCH, TACTILE (AUDIO FUNC <) | | Q218 | 8-729-119-76 | TRANSISTOR 2SA1175-HFE | |
| S114 | 1-762-751-11 | SWITCH, TACTILE (SOUND FIELD) | | | | | |
| S115 | 1-762-751-11 | SWITCH, TACTILE (AUDIO FUNC >) | | Q219 | 8-729-119-76 | TRANSISTOR 2SA1175-HFE | |
| S116 | 1-762-751-11 | SWITCH, TACTILE (3) (DE915) | | | | < RESISTOR > | |
| S117 | 1-762-751-11 | SWITCH, TACTILE (6) (DE915) | | R207 | 1-249-409-11 | CARBON 220 5% 1/4W F | |
| S118 | 1-762-751-11 | SWITCH, TACTILE (9) (DE915) | | R266 | 1-249-403-11 | CARBON 68 5% 1/4W F | |
| S119 | 1-762-751-11 | SWITCH, TACTILE (SHIFT) (DE915) | | R268 | 1-249-403-11 | CARBON 68 5% 1/4W F | |
| S120 | 1-762-751-11 | SWITCH, TACTILE (VIDEO FUNC <) | | R269 | 1-249-403-11 | CARBON 68 5% 1/4W F | |
| S121 | 1-762-751-11 | SWITCH, TACTILE (INPUT MODE) | | R270 | 1-249-426-11 | CARBON 5.6K 5% 1/4W | |
| S122 | 1-762-751-11 | SWITCH, TACTILE (VIDEO FUNC >) | | | | | |
| ***** | | | | | | | |
| * | 1-665-777-11 | VIDEO (3) BOARD ***** < CAPACITOR > | | R271 | 1-249-426-11 | CARBON 5.6K 5% 1/4W | |
| C299 | 1-164-159-11 | CERAMIC 0.1uF 50V < JACK > | | R272 | 1-249-426-11 | CARBON 5.6K 5% 1/4W | |
| J299 | 1-764-190-11 | JACK, PIN 3P (VIDEO 3 INPUT) (V909/VE910) | | R274 | 1-249-403-11 | CARBON 68 5% 1/4W F | |
| J299 | 1-779-868-11 | JACK, PIN 3P (VIDEO 3 INPUT) (DE915) < RESISTOR > | | R275 | 1-249-403-11 | CARBON 68 5% 1/4W F | |
| R297 | 1-249-403-11 | CARBON 68 5% 1/4W F (V909/VE910) | | R276 | 1-249-419-11 | CARBON 1.5K 5% 1/4W F | |
| R298 | 1-249-403-11 | CARBON 68 5% 1/4W F (V909/VE910) | | R277 | 1-249-419-11 | CARBON 1.5K 5% 1/4W F | |
| R299 | 1-249-403-11 | CARBON 68 5% 1/4W F | | R278 | 1-249-419-11 | CARBON 1.5K 5% 1/4W F | |
| R316 | 1-249-417-11 | CARBON 1K 5% 1/4W F | | R279 | 1-249-403-11 | CARBON 68 5% 1/4W F | |
| R366 | 1-249-417-11 | CARBON 1K 5% 1/4W F | | R280 | 1-249-403-11 | CARBON 68 5% 1/4W F | |
| ***** | | | | | | | |
| * | 1-665-784-11 | VIDEO BOARD ***** < CAPACITOR > | | R281 | 1-249-403-11 | CARBON 68 5% 1/4W F | |
| C253 | 1-126-960-11 | ELECT 1uF 20% 50V | | R282 | 1-249-403-11 | CARBON 68 5% 1/4W F | |
| C256 | 1-126-960-11 | ELECT 1uF 20% 50V | | R283 | 1-249-403-11 | CARBON 68 5% 1/4W F | |
| C258 | 1-126-960-11 | ELECT 1uF 20% 50V | | R288 | 1-249-430-11 | CARBON 12K 5% 1/4W | |
| C262 | 1-126-960-11 | ELECT 1uF 20% 50V | | R289 | 1-249-430-11 | CARBON 12K 5% 1/4W | |
| C264 | 1-126-964-11 | ELECT 10uF 20% 50V | | R290 | 1-249-430-11 | CARBON 12K 5% 1/4W | |
| C265 | 1-126-964-11 | ELECT 10uF 20% 50V | | R2009 | 1-249-409-11 | CARBON 220 5% 1/4W F | |
| C266 | 1-126-964-11 | ELECT 10uF 20% 50V | | R2010 | 1-249-409-11 | CARBON 220 5% 1/4W F | |
| C267 | 1-126-960-11 | ELECT 1uF 20% 50V | | ***** | | | |
| | | < IC > | | * | 1-665-788-11 | VOL SEL BOARD (DE915:PX/VE910:E) ***** < CONNECTOR > | |
| IC211 | 8-759-061-95 | IC SN761200 | | CNP910 | 1-564-321-00 | PIN, CONNECTOR 2P (DE915:PX/VE910:E) | |
| | | < CONNECTOR > | | * CNP911 | 1-564-687-11 | PIN, CONNECTOR 3P (DE915:PX/VE910:E) | |
| CNS215 | 1-695-092-11 | SOCKET, CONNECTOR 7P | | * CNP912 | 1-564-687-11 | PIN, CONNECTOR 3P (DE915:PX/VE910:E) | |
| | | < JACK > | | | | < SWITCH > | |
| J209 | 1-766-400-11 | JACK, PIN 2P (VIDEO 2) | | △ S902 | 1-571-437-11 | SWITCH, POWER VOLTAGE CHANGE (VOLTAGE SELECTOR) (DE915:PX/VE910:E) | |
| J210 | 1-766-399-11 | JACK, PIN 3P (VIDEO 1, MONITOR) | | ***** | | | |
| J211 | 1-766-400-11 | JACK, PIN 2P (VIDEO 3) < TRANSISTOR > | | | | | |
| Q214 | 8-729-620-05 | TRANSISTOR 2SC2603-EF | | | | | |
| Q215 | 8-729-620-05 | TRANSISTOR 2SC2603-EF | | | | | |

| | |
|--|---|
| The components identified by mark Δ or dotted line with mark Δ are critical for safety. Replace only with part number specified. | Les composants identifiés par une marque Δ sont critiques pour la sécurité. Ne les remplacer que par une pièce portant le numéro spécifié. |
|--|---|

VOLUME

| Ref. No. | Part No. | Description | Remarks |
|----------|--------------|--|---------|
| * | 1-665-774-11 | VOLUME BOARD ***** | |
| | | < CONNECTOR > | |
| CNP102 | 1-770-388-11 | PIN, CONNECTOR (PC BOARD) 4P | |
| CNS402 | 1-569-323-11 | SOCKET, CONNECTOR 19P | |
| | | < RESISTOR > | |
| R499 | 1-249-411-11 | CARBON 330 5% 1/4W | |
| | | < VARIABLE RESISTOR > | |
| RV401 | 1-225-445-11 | RES, VAR, CARBON 100KX6 (MASTER VOLUME) | |
| ***** | | | |
| | | MISCELLANEOUS ***** | |
| 19 | 1-773-174-11 | WIRE (FLAT TYPE) (21 CORE)(46cm) | |
| 20 | 1-773-057-11 | WIRE (FLAT TYPE) (17 CORE) | |
| 22 | 1-773-107-11 | WIRE (FLAT TYPE) (19 CORE)(17cm) | |
| 57 | 1-773-116-11 | WIRE (FLAT TYPE) (19 CORE)(23cm) | |
| 58 | 1-773-174-11 | WIRE (FLAT TYPE) (21 CORE)(9cm) | |
| △ 60 | 1-696-847-11 | CORD, POWER (AUS) | |
| △ 60 | 1-769-743-11 | CORD, POWER (US,CND) | |
| △ 60 | 1-769-744-11 | CORD, POWER (EXCEPT US,CND,AUS,CH) | |
| △ 60 | 1-782-464-21 | CORD, POWER (CH) | |
| △ 69 | 1-569-008-11 | ADAPTOR, CONVERSION 2P (E,PX) | |
| △ 70 | 1-770-019-11 | ADAPTOR, CONVERSION 3P (UK) | |
| △ CNJ909 | 1-251-416-11 | OUTLET, AC (AC OUTLET) (AUS) | |
| △ CNJ909 | 1-526-794-11 | OUTLET, AC (EXCEPT US,CND,AUS,PX,CH) | |
| ***** | | | |

| Ref. No. | Part No. | Description | Remarks |
|----------|--------------|--|---------|
| | | ACCESSORIES & PACKING MATERIALS ***** | |
| | 1-475-134-11 | REMOTE COMMANDER (RM-P501) | |
| | 1-501-374-11 | ANTENNA, LOOP (DE915) | |
| | 1-501-594-11 | ANTENNA (FM) (DE915:AUS) | |
| | 1-777-172-11 | CORD, CONNECTION (DE915:US,CND) | |
| | 3-703-044-26 | LABEL, CAUTION (DE915:US,CND) | |
| | 3-810-765-11 | MANUAL,COMMONNESS INSTRUCTION (ENGLISH)(DE915:US) | |
| | 3-810-765-21 | MANUAL,COMMONNESS INSTRUCTION (ENGLISH,FRENCH,GERMAN,SPANISH,DUTCH, SWEDISH,ITALIAN,PORTUGUESE,CHINESE) (DE915) | |
| | 3-860-516-11 | MANUAL, INSTRUCTION (ENGLISH) (DE915:US,AUS) | |
| | 3-860-516-21 | MANUAL, INSTRUCTION (FRENCH) (DE915:CND) | |
| | 3-860-516-31 | MANUAL, INSTRUCTION (ENGLISH) (DE915:PX) | |
| | 3-861-329-11 | MANUAL, INSTRUCTION (ENGLISH/FRENCH/DUTCH/SWEDISH) (VE910:AEP,UK,AED,EE) | |
| | 3-861-329-21 | MANUAL, INSTRUCTION (GERMAN,SPANISH,ITALIAN,PORTUGUESE) (VE910:AEP,UK,G,AED,EE) | |
| | 3-861-329-41 | MANUAL, INSTRUCTION (ENGLISH/CHINESE) (VE910:E,SP,MY) | |
| | 3-861-329-51 | MANUAL, INSTRUCTION (ENGLISH/CHINESE) (V909) | |
| | 4-983-536-01 | COVER, BATTERY (for RM-P501) | |
| ***** | | | |
| | | ***** HARDWARE LIST ***** | |
| #1 | 7-685-646-79 | SCREW +BVTP 3X8 TYPE2 TT(B) | |
| #2 | 7-685-872-09 | SCREW +BVTT 3X8 (S) | |
| #3 | 7-685-881-09 | SCREW +BVTT 4X8 (S) | |

| | | |
|--|--|---|
| The components identified by mark △ or dotted line with mark △ are critical for safety. Replace only with part number specified. | Les composants identifiés par une marque △ sont critiques pour la sécurité. Ne les remplacer que par une pièce portant le numéro spécifié. | 以阴影和 △ 标志来识别的零部件，在安全方面具有关键性。因此只能以规定号码的零部件来更换。 |
|--|--|---|

MEMO

